

COMPONENT SPECIFICATION

USE OR REPRODUCTION OF THIS DRAWING FOR THE PURPOSE OF MANUFACTURING THIS ARTICLE OR ANY ARTICLES SHOWN FOR ANY PURPOSE IS STRICTLY PROHIBITED WITHOUT WRITTEN PERMISSION FROM SENIOR INDUSTRIES, INC.

SPECIFICATIONS:

MECHANICAL:

RANGE: (2) NO. 5 AWG SOLID TO (2) 2 AWG STRANDED COPPER WIRES.

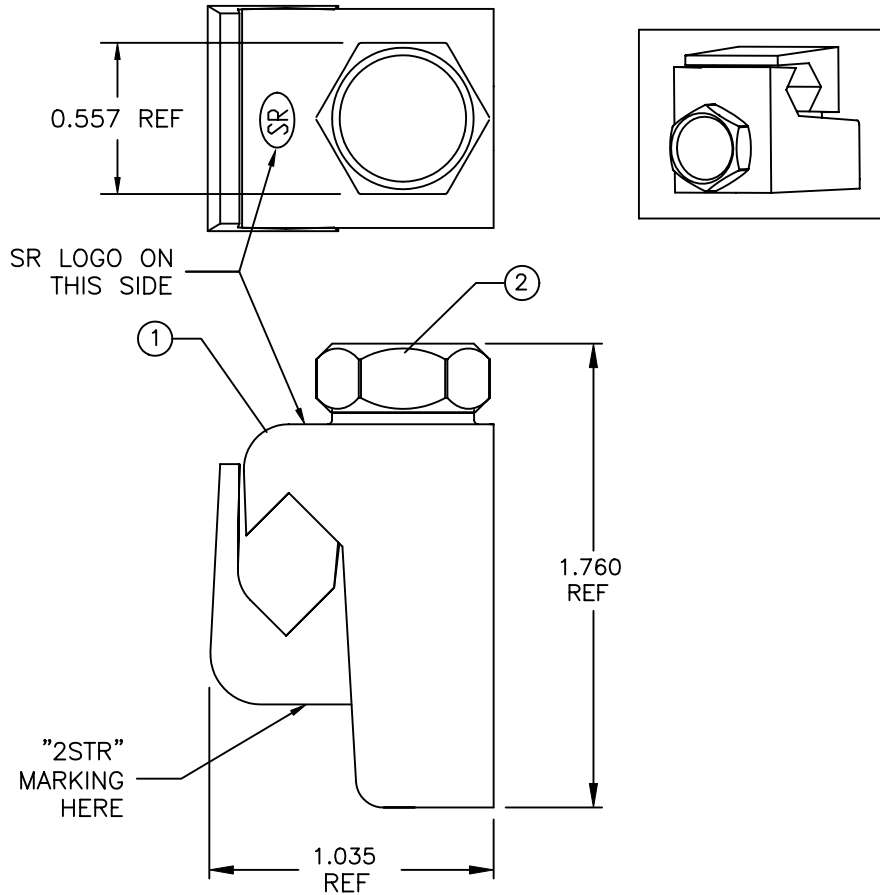
TORQUE STRENGTH: 30 FT-LBS MIN. WITHOUT DEGRADATION, USING EITHER TWO NO. 5 AWG WIRES OR TWO NO. 2 AWG STRANDED WIRES.

MATERIAL:

CONNECTOR BODY: HIGH STRENGTH COPPER ALLOY
STUD: STAINLESS STEEL

REGULATORY:

COMPLIES WITH UL STANDARD 467 FOR GROUNDING AND BONDING EQUIPMENT.



2	STUD
1	CONNECTOR BODY
ITEM	DESCRIPTION



DESIGNED:			SYM:	DATE:	DESCRIPTION OF REVISIONS:	DRAWN:	APPD:	TOLERANCE:	PART NO:	SI-2141
DRAWN:	HV	06/03/98	▲	05.21.07	NEW	GAT	JF			
CHECKED:	GAT	05/21/07	▲	.	.			TO 2 DECIMAL PLACES: ±	TITLE	GROUNDING CONNECTOR
APPROVED:	JF	05/21/07	▲	.	.			TO 3 DECIMAL PLACES: ±	SHEET:	1 OF 1
3RD ANGLE			UNIT:	IN	SCALE:	2:1	REV.	A	AS ANGLES:	±