

COMPONENT SPECIFICATION

USE OR REPRODUCTION OF THIS DRAWING FOR THE PURPOSE OF MANUFACTURING THIS ARTICLE OR ANY ARTICLES SHOWN FOR ANY PURPOSE IS STRICTLY PROHIBITED WITHOUT WRITTEN PERMISSION FROM SENIOR INDUSTRIES, INC.

SPECIFICATIONS:

MECHANICAL:

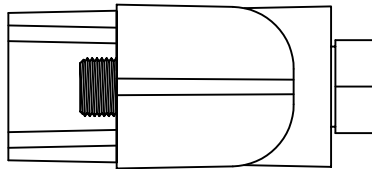
RANGE: (2) 1/0 SOLID TO (2) 4/0 STRANDED COPPER WIRES.
 TORQUE STRENGTH: 30 FT-LBS MIN. WITHOUT DEGRADATION, USING EITHER TWO 1/0 SOLID WIRES OR TWO 4/0 STRANDED WIRES.

MATERIAL:

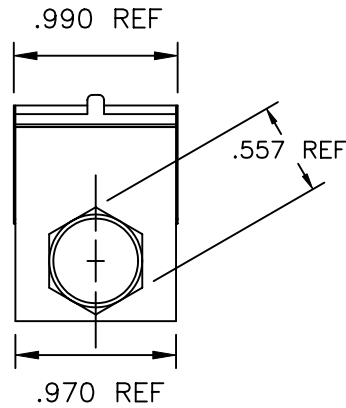
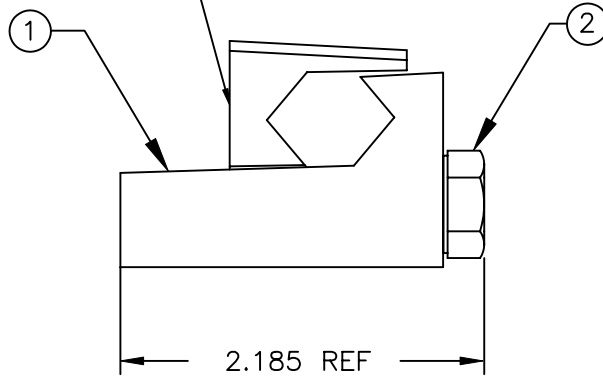
CONNECTOR BODY: HIGH STRENGTH COPPER ALLOY
 STUD: STAINLESS STEEL

REGULATORY:

COMPLIES WITH UL STANDARD 467 FOR GROUNDING AND BONDING EQUIPMENT.



"SR" AND "4/0" MARKINGS ON THIS SIDE



| | |
|------|----------------|
| 2 | STUD |
| 1 | CONNECTOR BODY |
| ITEM | DESCRIPTION |



SENIOR INDUSTRIES, INC.

| | | | | | | | | | | |
|-----------|-----|----------|------|----------|---------------------------|--------|-------|-----------------------|----------|---------------------|
| DESIGNED: | | | SYM. | DATE: | DESCRIPTION OF REVISIONS: | DRAWN: | APPD: | TOLERANCE: | PART NO: | SI-2143 |
| DRAWN: | HV | 06/03/98 | ▲ | 05.21.07 | NEW | GAT | JF | TO 2 DECIMAL PLACE: ± | TITLE | GROUNDING CONNECTOR |
| CHECKED: | GAT | 02/01/10 | ▲ | 02.01.10 | Corr'd 1 solid to 1/0. | GAT | JF | | | |
| APPROVED: | JF | 02/01/10 | ▲ | | | | | AS ANGLES: ± | SHEET: | 1 OF 1 |
| 3RD ANGLE | | UNIT: | IN | SCALE: | 1:1 | REV. | B | | | |