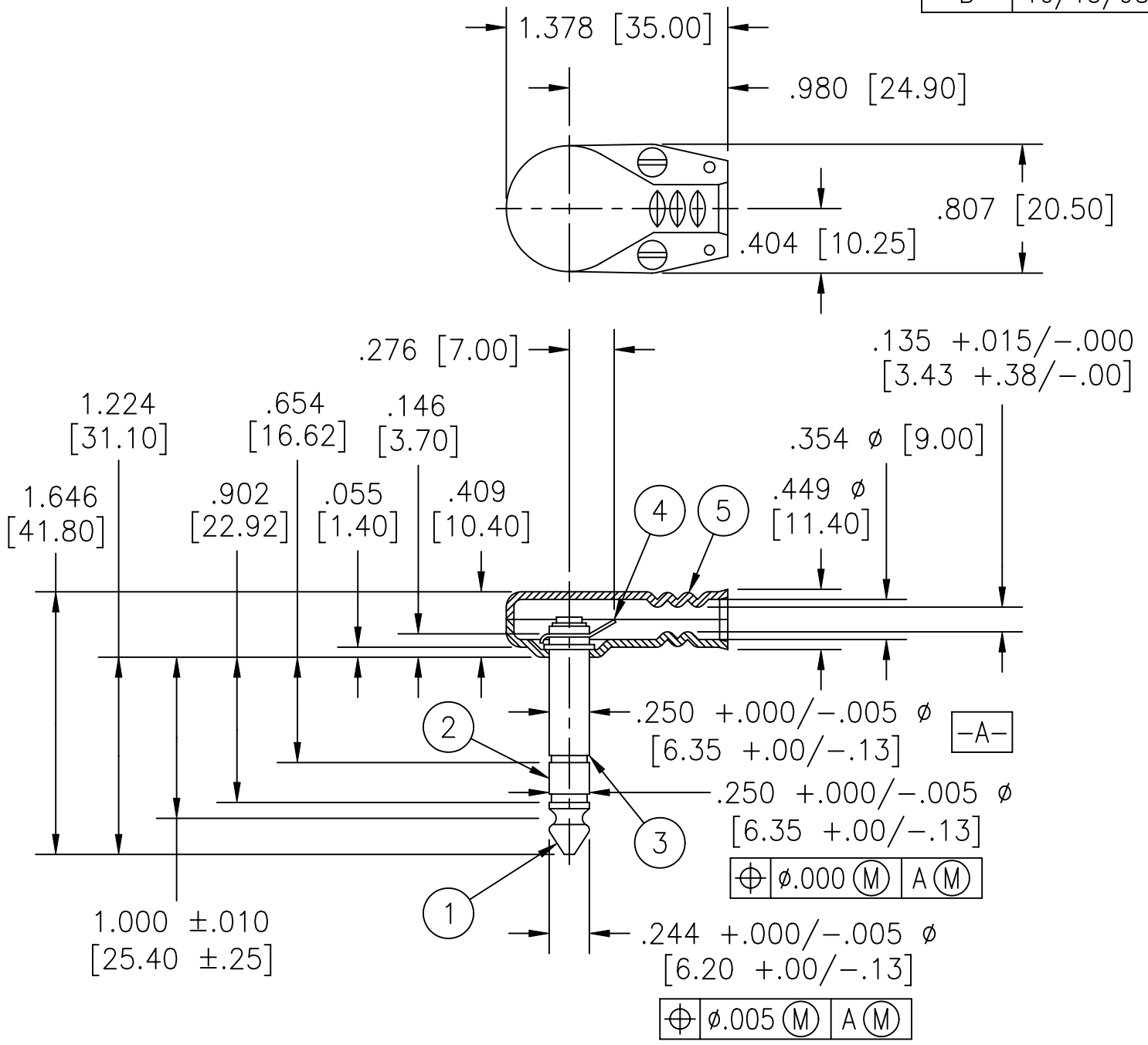


UNLESS OTHERWISE SPECIFIED, ALL DIMENSIONS ARE IN INCHES WITH METRIC IN BRACKETS. TO 2 DEC. PLS. ±
 TO 3 DEC. PLS. ±.015 [.38]
 AS ANGLES ±

ISSUE	DATE
A	04/08/97
B	10/15/98



ITEM	DESCRIPTION	QTY	MATERIAL/FINISH
1	TIP	1	BRASS, NICKEL PLATED
2	RING	1	BRASS, NICKEL PLATED
3	SLEEVE	1	BRASS, NICKEL PLATED
4	TERMINAL	1	BRASS, TIN PLATED
5	HOUSING	1	STEEL, NICKEL PLATED



TITLE: RIGHT ANGLE PHONE PLUG
 DATE: 04/08/97
 DRAWN: GAM
 CHKD:

PART NO: SI-288P
 SCALE: 1/1
 SHEET: 1 OF 1