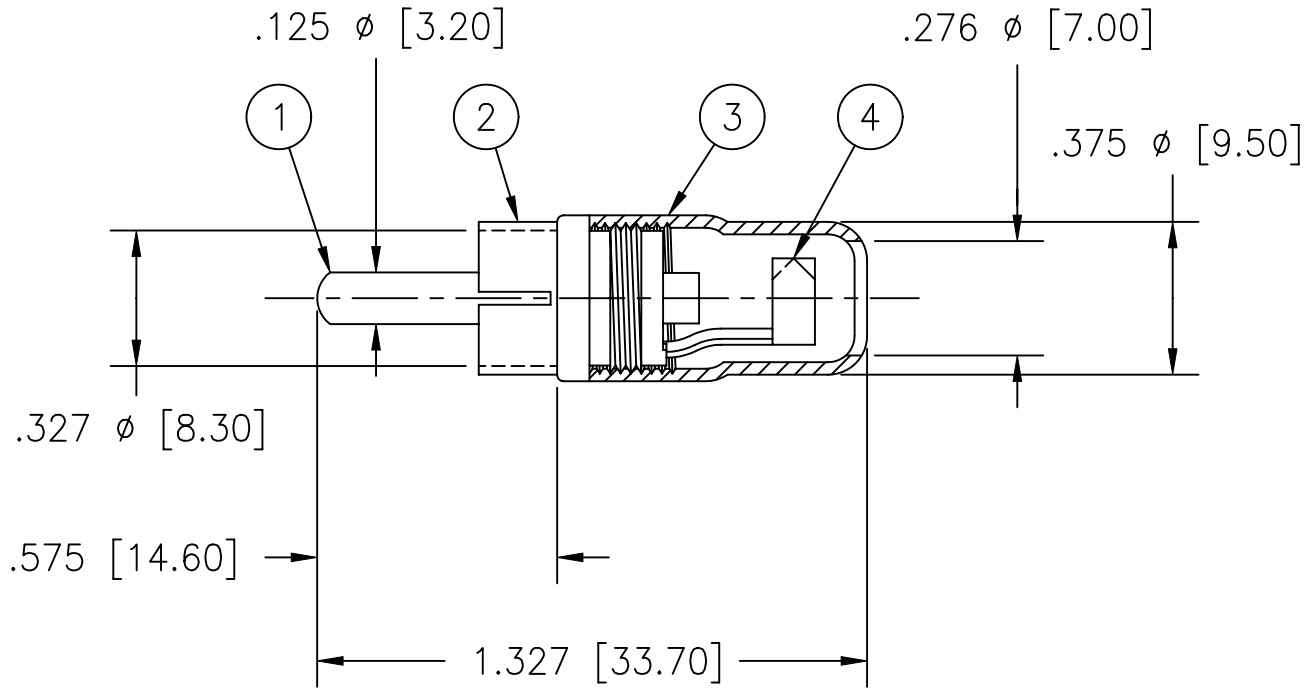


UNLESS OTHERWISE SPECIFIED, ALL DIMENSIONS ARE IN INCHES WITH METRIC IN BRACKETS. TO 2 DEC. PLS. ±  
 TO 3 DEC. PLS. ±  
 AS ANGLES ±

ISSUE	DATE
A	02/27/93
B	08/18/94



ITEM	DESCRIPTION	QTY	MATERIAL/FINISH
1	PIN	1	BRASS, NICKEL PLATED
2	BODY	1	BRASS, NICKEL PLATED
3	CAP	1	BRASS, NICKEL PLATED
4	TERMINAL	1	BRASS, TIN PLATED



TITLE: PHONO PLUG ASSEMBLY

PART NO: SI-295

DATE: 12/09/92

DRAWN: GAM

CHKD:

SCALE: 2/1

SHEET: 1 OF 1