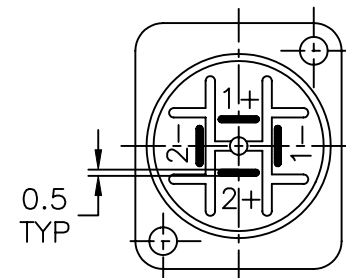
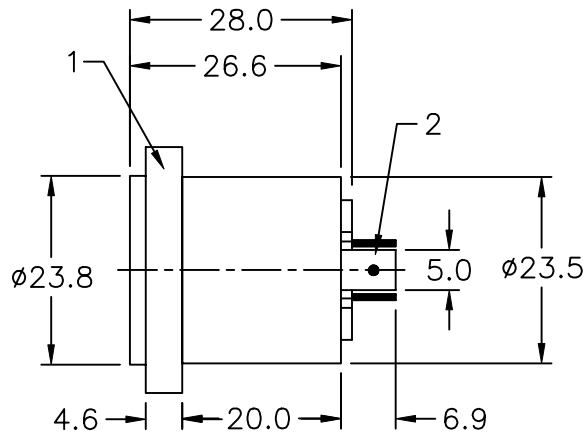
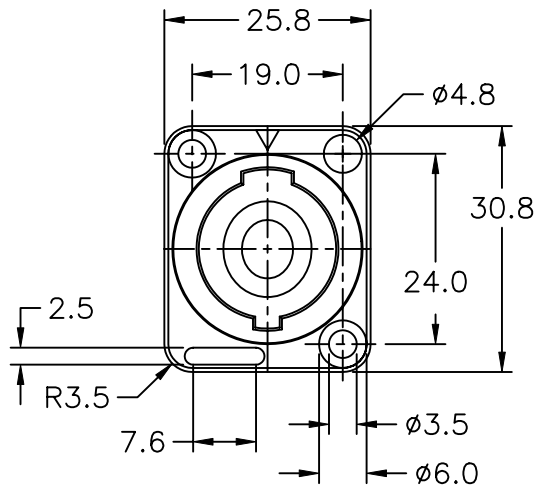


COMPONENT SPECIFICATION

USE OR REPRODUCTION OF THIS DRAWING FOR THE PURPOSE OF MANUFACTURING THIS ARTICLE OR ANY ARTICLES SHOWN FOR ANY PURPOSE IS STRICTLY PROHIBITED WITHOUT WRITTEN PERMISSION FROM SENIOR INDUSTRIES, INC.



ITEM	PART	QT'Y	MATERIAL/FINISH
1	HOUSING	1	NYLON, BLACK
2	PIN	1	BRASS, NICKEL PLATED

SPECIFICATIONS:

ELECTRICAL:

CONTACT RATING: 30A
 DIELECTRIC STRENGTH: 4000 VAC
 RATED VOLTAGE: 250 VAC
 CONTACT RESISTANCE: 3 MILLIOHMS MAX.
 INSULATION RESISTANCE: 2000 MEGOHMS MIN.

MECHANICAL:

LIFE: 5000 CYCLES

ENVIRONMENTAL:

OPERATING TEMPERATURE: -30° TO +80°



SENIOR INDUSTRIES, INC.

DESIGNED:			SYM.	DATE:	DESCRIPTION OF REVISIONS:	DRAWN:	APPD:
DRAWN:	GAT	12/09/05	▲	01.04.06	NEW	GAT	JF
CHECKED:	GAT	04/28/06	▲	04.28.06	Specifications added.	GAT	JF
APPROVED:	JF	04/28/06	▲	.	.		
			▲	.	.		
3RD ANGLE		UNIT:	mm	SCALE:	1:1	REV:	B

TOLERANCE:	PART NO:	SI-300SCF
TO 1 DECIMAL PLACE: ±.3	TITLE:	SPEAKER CONNECTOR
TO 2 DECIMAL PLACES: ±.12	SHEET:	1 OF 1
AS ANGLES: ±1/2°		