

COMPONENT SPECIFICATION

USE OR REPRODUCTION OF THIS DRAWING FOR THE PURPOSE OF MANUFACTURING THIS ARTICLE OR ANY ARTICLES SHOWN FOR ANY PURPOSE IS STRICTLY PROHIBITED WITHOUT WRITTEN PERMISSION FROM SENIOR INDUSTRIES, INC.

SPECIFICATIONS:

ELECTRICAL:

CONTACT RATING:

3 CONTACT	15A @ 125VAC
4 CONTACT	10A @ 125VAC
5 CONTACT	7.5A @ 125VAC
7 CONTACT	5A @ 125VAC

CONTACT RESISTANCE: 5 MILLIOHMS MAX.

INSULATION RESISTANCE: 5000 MEGOHMS MIN. @ 500VDC

DIELECTRIC STRENGTH: 1400VAC

CAPACITANCE:

3 CONTACT	4pF MAX.
4 CONTACT	7pF MAX.
5 CONTACT	7pF MAX.
7 CONTACT	9pF MAX.

MECHANICAL:

INSERTION FORCE: 1.0 - 8.0 Kg

WITHDRAWAL FORCE: 1.0 - 8.0 Kg

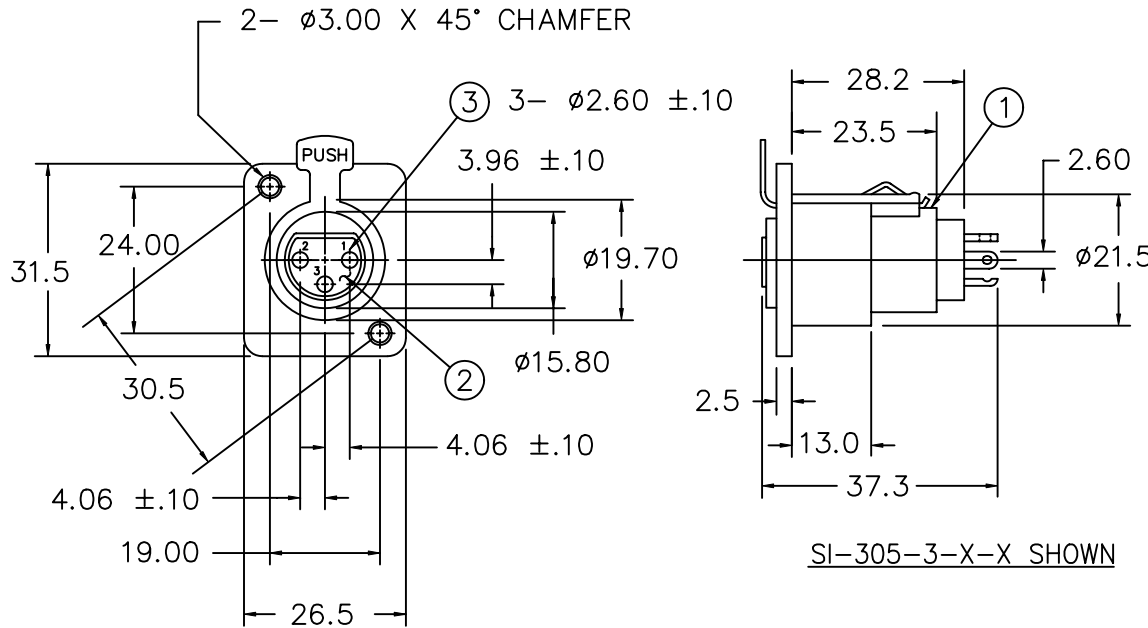
ENVIRONMENTAL:

OPERATING TEMPERATURE: -55°C TO +70°C

DRAWING NUMBER	NUMBER OF SOCKETS
-3-X-X	3
-4-X-X	4
-5-X-X	5
-7-X-X	7



SENIOR INDUSTRIES, INC.



NOTES:

- 2nd 'X' IN PART NUMBER DENOTES HOUSING FINISH:
N-NICKEL; B-BLACK NICKEL
- 3rd 'X' IN PART NUMBER DENOTES SOCKETS PLATING:
1-SILVER; 3-GOLD

ITEM	PART	QT'Y	MATERIAL/FINISH
1	HOUSING	1	ZINC DIE-CAST; NICKEL OR BLACK NICKEL PLATED
2	INSERT INSULATOR	1	PPT; GRAY
3	SOCKET	3	PHOSPHOR BRONZE; SILVER OR GOLD PLATED

DESIGNED:			SYM.	DATE:	DESCRIPTION OF REVISIONS:	DRAWN:	APPD:
DRAWN:	KRM	04/08/93	Δ	09.01.93	NEW	JF	JF
CHECKED:	GAT	11/21/05	Δ	07.07.05	Ch'd hole sizes and spacing to match parts	GAT	JF
APPROVED:	JF	11/21/05	Δ	11.21.05	Corr hole dims back to:19, 24-height & 3.50 dia.	GAT	JF
			Δ				
			Δ				

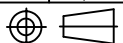
TOLERANCE:

TO 1 DECIMAL PLACE: $\pm .4$

TO 2 DECIMAL PLACES: $\pm .20$

PART NO:	SI-305-X-X-X
TITLE:	XLR RECEPTACLE
SHEET:	1 OF 1

3RD ANGLE



UNIT: mm

SCALE: 1:1

REV: C

AS ANGLES: \pm