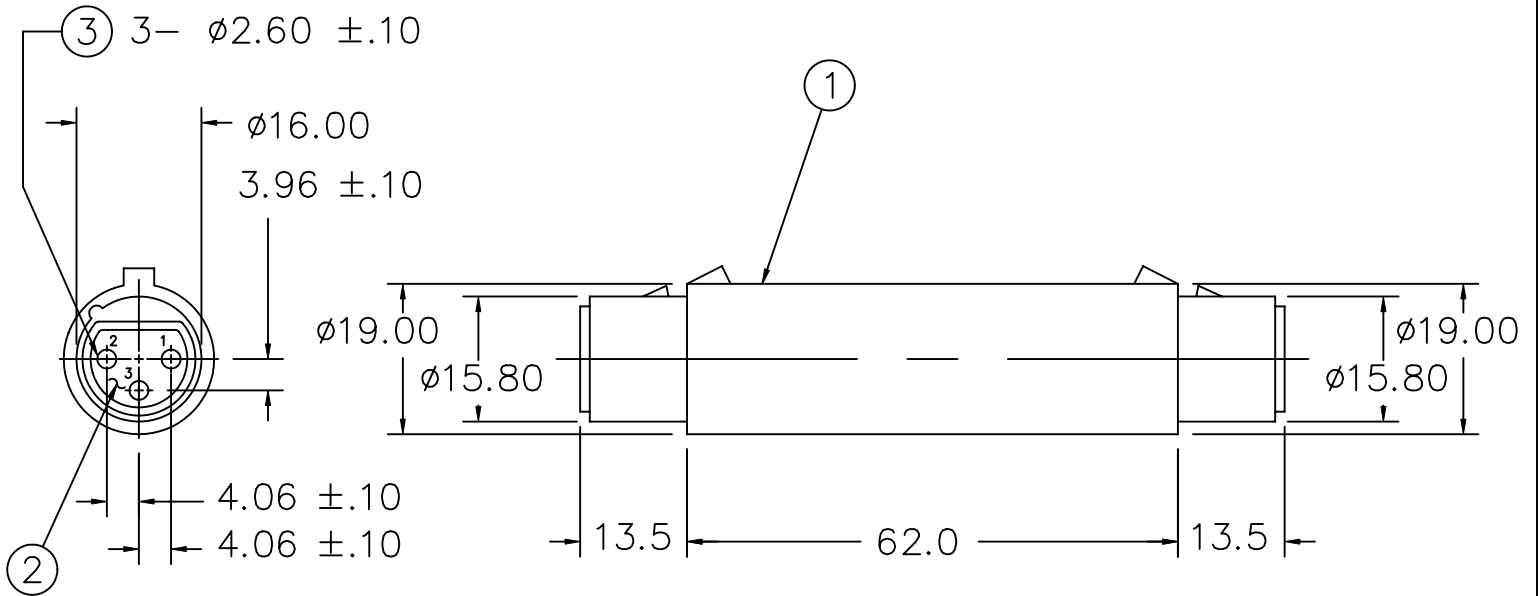


UNLESS OTHERWISE SPECIFIED, ALL DIMENSIONS ARE IN METRIC.  
 DIMENSIONS OTHER THAN SIZE OF RAW MATERIAL SHALL BE  
 HELD AS FOLLOWS WHEN EXPRESSED.

TO 1 DECIMAL PLACE ±0.4  
 TO 2 DECIMAL PLACES ±0.20  
 AS ANGLES ?

ISSUE	DATE	AUTH.
A	09/01/93	A1080



SI-311-3-X-X SHOWN

WIRING SCHEMATIC
SOCKET 1 - SOCKET 1
SOCKET 2 - SOCKET 2
SOCKET 3 - SOCKET 3

DRAWING NUMBER	NUMBER OF SOCKETS
-3-X-X	3
-4-X-X	4
-5-X-X	5
-7-X-X	7

ITEM	PART	MATERIAL/FINISH
1	HOUSING	ZINC DIE CAST; NICKEL, BLACK NICKEL, OR GOLD PLATED
2	INSERT INSULATOR	PPO-1 UL94V-0 RATED; GRAY
3	SOCKET	PHOSPHOR BRONZE; SILVER OR GOLD PLATED



TITLE: <b>XLR ADAPTER</b>		PART NO: <b>SI-311-X-X-X</b>	
DATE: 04/08/93	DRAWN: KRM	CHKD:	SCALE: 1/1 SHEET: 1 OF 1