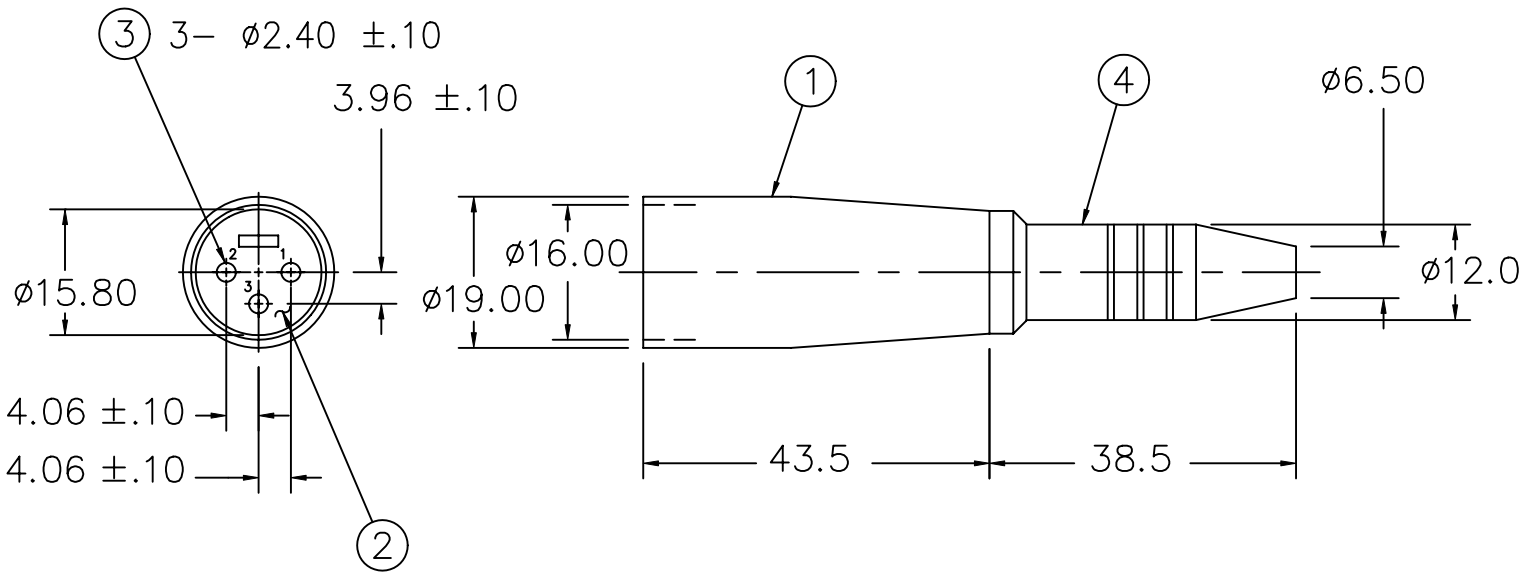


UNLESS OTHERWISE SPECIFIED, ALL DIMENSIONS ARE IN METRIC.
 DIMENSIONS OTHER THAN SIZE OF RAW MATERIAL SHALL BE
 HELD AS FOLLOWS WHEN EXPRESSED.

TO 1 DECIMAL PLACE ±0.4
 TO 2 DECIMAL PLACES ±0.20
 AS ANGLES ?

ISSUE	DATE	AUTH.
A	09/01/93	A1083



WIRING SCHEMATIC	
PIN 1	- GROUND
PIN 2	- TIP
PIN 3	- RING

ITEM	PART	MATERIAL/FINISH
1	HOUSING	ZINC DIE CAST; NICKEL, BLACK NICKEL, OR GOLD PLATED
2	INSERT INSULATOR	PPO-1 UL94V-0 RATED; GRAY
3	PIN	BRASS; SILVER OR GOLD PLATED
4	PHONE JACK	BRASS; NICKEL PLATED



TITLE: XLR ADAPTER		PART NO: SI-314-X-X	
DATE: 04/08/93	DRAWN: KRM	CHKD:	SCALE: 1/1
		SHEET: 1 OF 1	