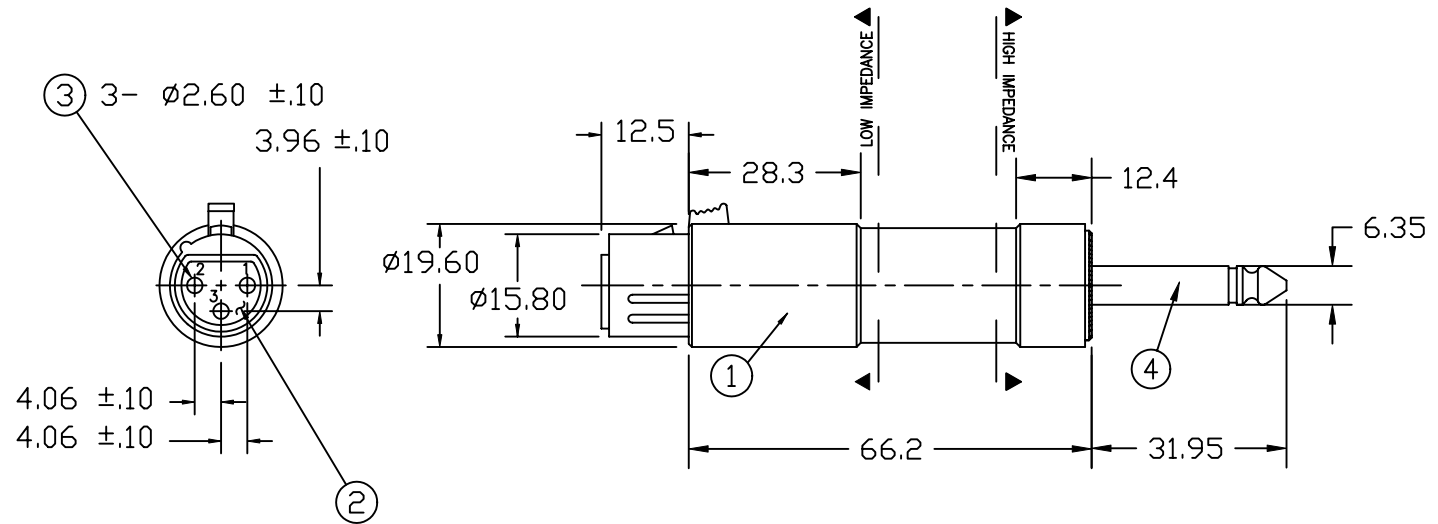
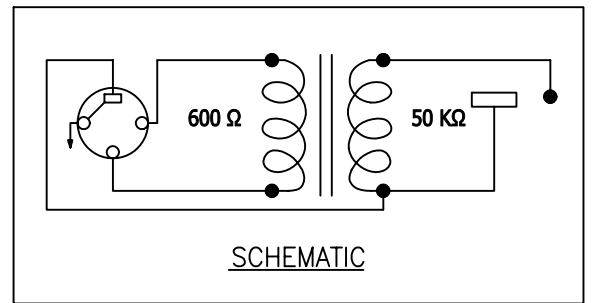


1	2	3	4	5
<b>COMPONENT SPECIFICATION</b>	USE OR REPRODUCTION OF THIS DRAWING FOR THE PURPOSE OF MANUFACTURING THIS ARTICLE OR ANY ARTICLES SHOWN FOR ANY PURPOSE IS STRICTLY PROHIBITED WITHOUT WRITTEN PERMISSION FROM SENIOR INDUSTRIES, INC.			



**NOTES:**

1. 'X' IN PART NUMBER DENOTES HOUSING FINISH:  
N-NICKEL; B-BLACK NICKEL
2. SET SCREWS REMAIN CAPTIVE TO HOUSING.



NOTE: IMPEDANCE MATCHING TRANSFORMER

ITEM	PART	QT'Y	MATERIAL/FINISH
1	HOUSING	1	ZINC DIE-CAST; NICKEL OR BLACK NICKEL PLATED
2	INSERT INSULATOR	1	PPT; GRAY
3	SOCKET	3	PHOSPHOR BRONZE; SILVER
4	2 CONDUCTOR PHONE PLUG	1	BRASS; NICKEL PLATED



DESIGNED:			SYM.	DATE:	DESCRIPTION OF REVISIONS:	DRAWN:	APPD:	TOLERANCE:	PART NO:	SI-315T-X-1
DRAWN:	GAT	07/21/05	▲	07.22.05	NEW	GAT	JF		TO 1 DECIMAL PLACE: ±.4	TITLE:
CHECKED:	GAT	07/22/05	▲	..				TO 2 DECIMAL PLACES: ±.20	SHEET:	1 OF 1
APPROVED:	JF	07/22/05	▲	..				AS ANGLES: ±		
<b>3RD ANGLE</b>		UNIT:	mm	SCALE:	1:1	REV:	A			