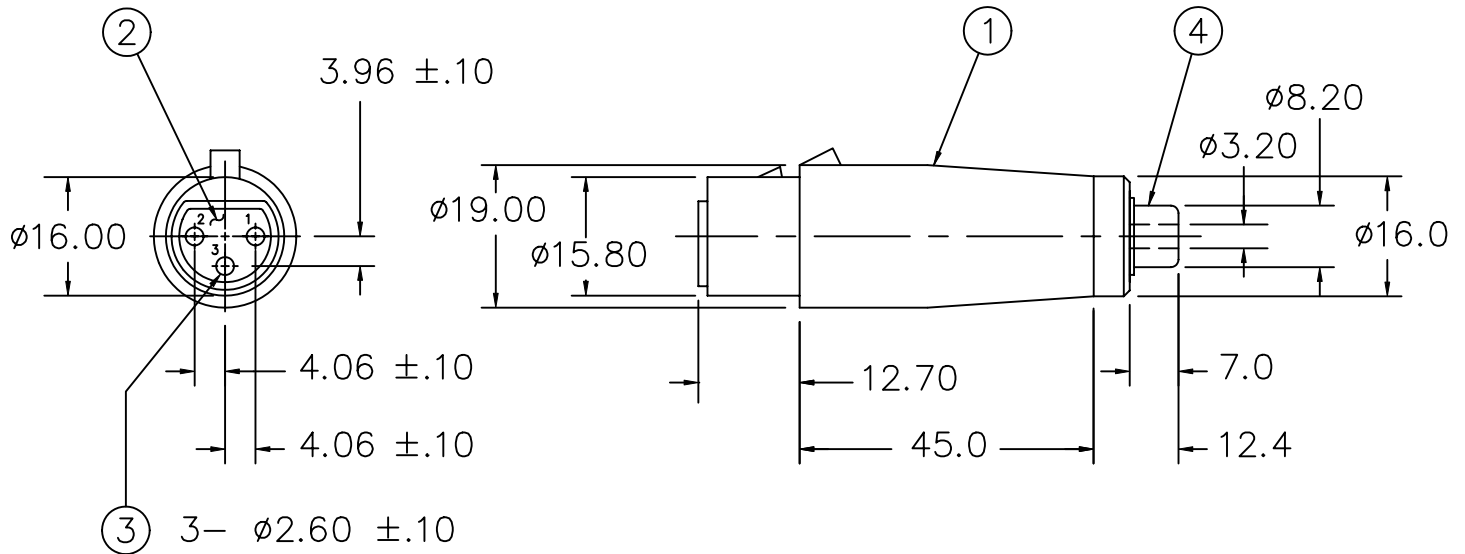


1

2

3

4

COMPONENT  
SPECIFICATIONUSE OR REPRODUCTION OF THIS DRAWING FOR THE PURPOSE OF MANUFACTURING THIS  
ARTICLE OR ANY ARTICLES SHOWN FOR ANY PURPOSE IS STRICTLY PROHIBITED WITHOUT  
WRITTEN PERMISSION FROM SENIOR INDUSTRIES, INC.

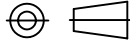
## WIRING SCHEMATIC

SOCKET 1	-	GROUND
SOCKET 2	-	PIN
SOCKET 3	-	BUSHING

ITEM	PART	MATERIAL/FINISH
1	HOUSING	ZINC DIE CAST; NICKEL, BLACK NICKEL, OR GOLD PLATED
2	INSERT INSULATOR	PPO-1 UL94V-0 RATED; GRAY
3	SOCKET	PHOSPHOR BRONZE; SILVER OR GOLD PLATED
4	PHONO JACK	BRASS; NICKEL PLATED

DESIGNED:			SYM.	DATE:	DESCRIPTION OF REVISIONS:	DRAWN	APPD.
DRAWN:	HV	08/14/98		08.17.98	Redrawn to CAD format	TF	JF
CHECKED:	TF	08/17/98		. .			
APPROVED:	JF	08/17/98		. .			

3RD ANGLE



UNIT:

mm

SCALE:

1:1

REV.

B

**SENIOR  
INDUSTRIES, INC.**

TOLERANCE:

TO 1 DECIMAL PLACE:  $\pm 0.4$ TO 2 DECIMAL PLACES:  $\pm 0.20$ AS ANGLES:  $\pm$ 

SHEET:

PART NO:

SI-320-X-X

TITLE:

XLR ADAPTER

1 OF 1