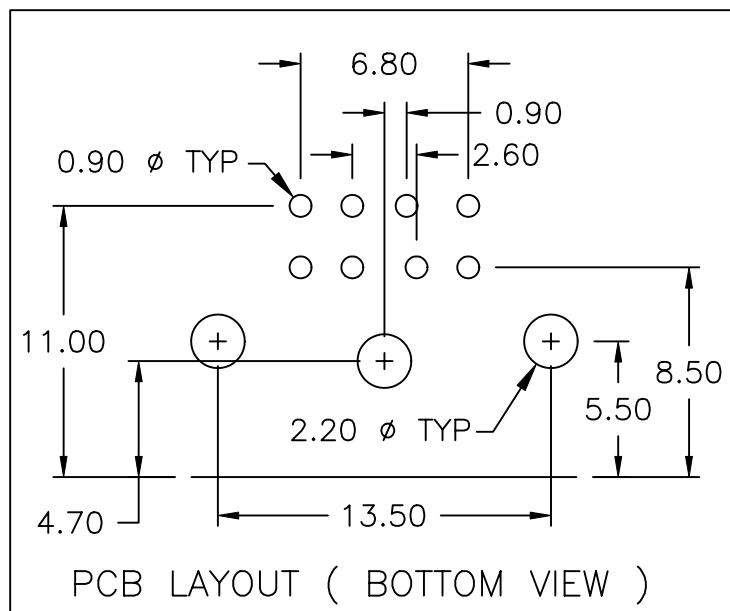
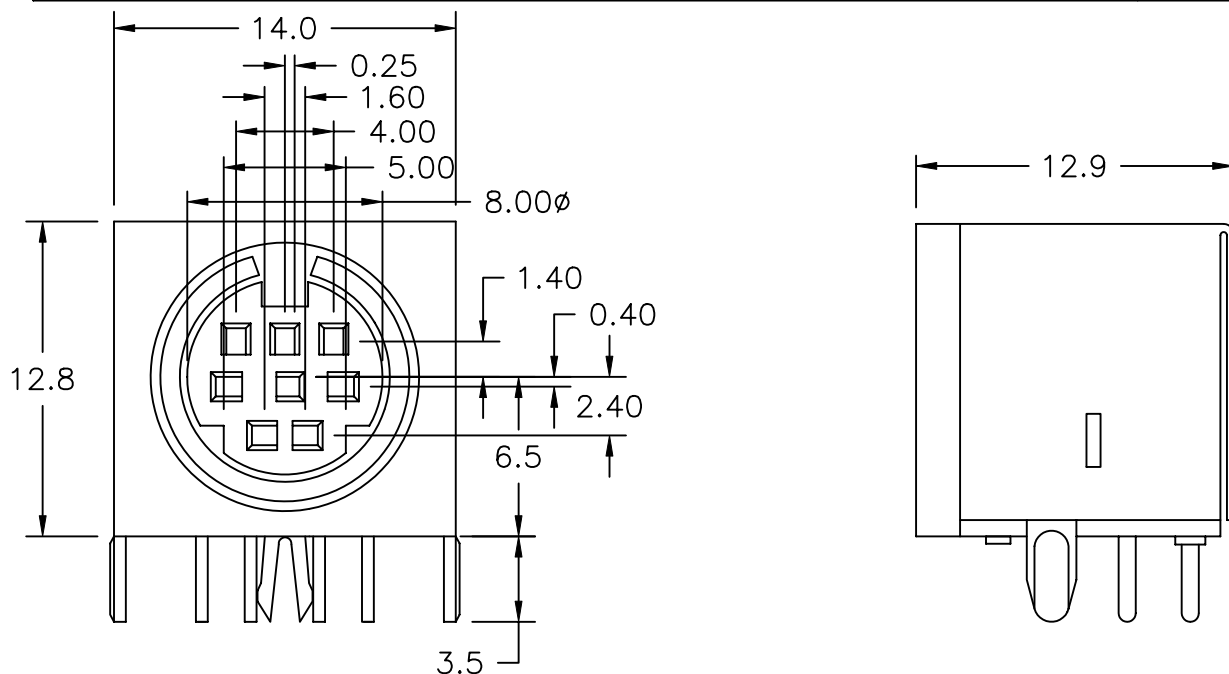


UNLESS OTHERWISE SPECIFIED, ALL DIMENSIONS ARE IN METRIC.

TO 1 DECIMAL PLACE ±.3  
 TO 2 DECIMAL PLACES ±.13  
 AS ANGLES ±1/2°

ISSUE  
 A

DATE  
 04/01/97



NOTE: 'X' DENOTES NUMBER OF CONTACTS

ITEM	DESCRIPTION	MATERIAL/FINISH
5	SHIELD	STEEL 0.4MM THICK - TIN PLATED
4	CONTACT	PHOSPHOR BRONZE 0.2MM THICK - SILVER PLATED
3	GROUND	BRASS 0.4MM THICK - TIN PLATED
2	COVER	PBT - 30% GLASS, UL94V-0, BLACK
1	HOUSING	PBT - 30% GLASS, UL94V-0, BLACK



TITLE: DIN RECEPTACLE

PART NO: SI-353-X

DATE: 03/28/97

DRAWN: HV

CHKD: JF

SCALE: 3/1

SHEET: 1 OF 2

UNLESS OTHERWISE SPECIFIED, ALL DIMENSIONS ARE IN METRIC.

TO 1 DECIMAL PLACE ±  
TO 2 DECIMAL PLACES ±  
AS ANGLES ± °

ISSUE

DATE

A

04/01/97

### SPECIFICATIONS

#### ELECTRICAL

CONTACT RATING: 1A @ 100VAC, 2A @ 12VDC  
CONTACT RESISTANCE: 30 MILLIOHMS MAX.  
INSULATION RESISTANCE: 50 MEGOHMS MIN. AT 250 VDC  
DIELECTRIC STRENGTH: 250VAC FOR 1 MINUTE

#### MECHANICAL

INSERTION FORCE: 1.0 – 4.5 Kg  
WITHDRAWAL FORCE: 0.8 – 3.0 Kg  
LIFE: 5000 CYCLES MIN.



**SENIOR  
INDUSTRIES, INC.**

TITLE:

DIN RECEPTACLE

PART NO:

SI-353-X

DATE:

03/28/97

DRAWN:

HV

CHKD:

JF

SCALE:

SHEET:

2 OF 2