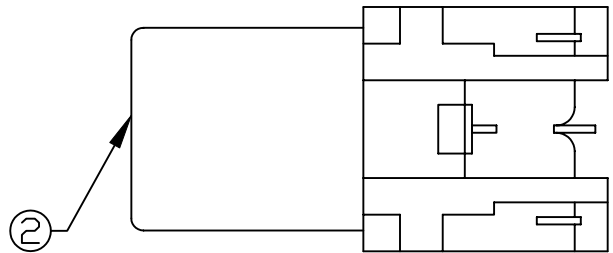
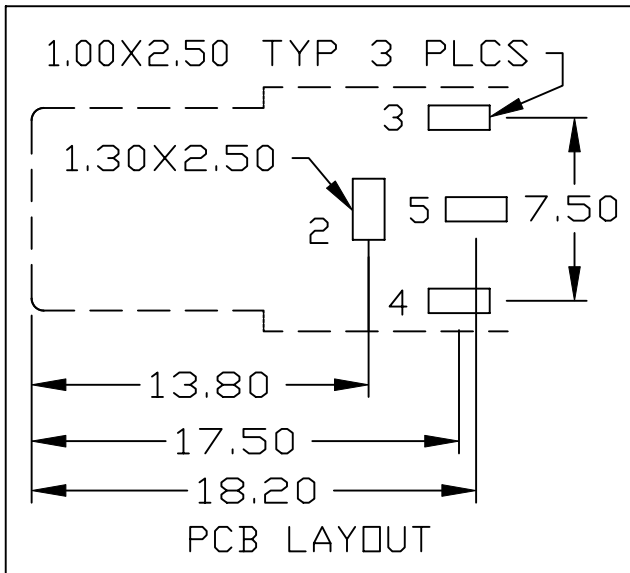
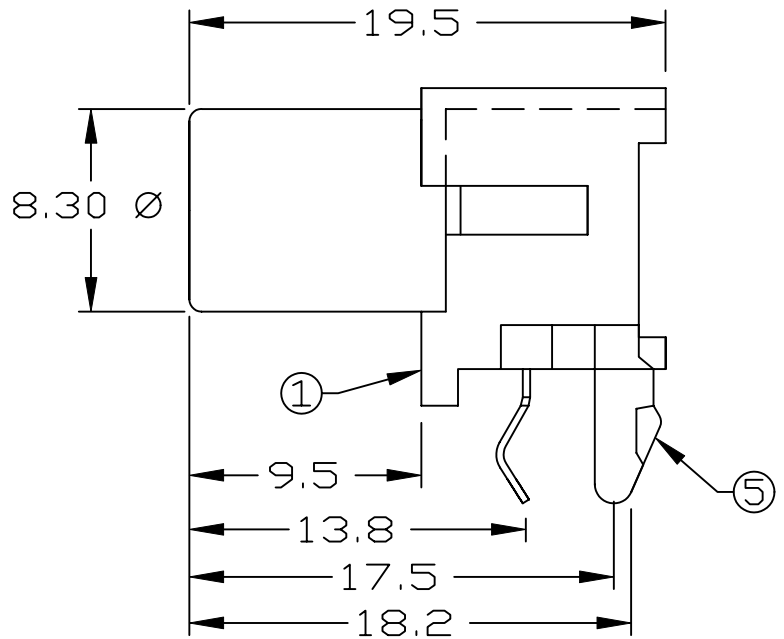
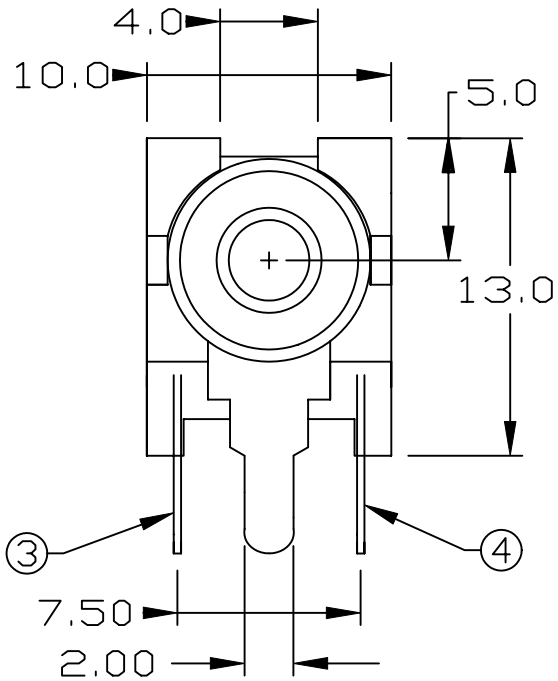


USE OR REPRODUCTION OF THIS DRAWING FOR THE PURPOSE OF MANUFACTURING THIS ARTICLE OR ANY ARTICLES SHOWN FOR ANY PURPOSE IS STRICTLY PROHIBITED WITHOUT WRITTEN PERMISSION FROM SENIOR INDUSTRIES, INC.

CUSTOMER SPECIFICATION DRAWING



ITEM	DESCRIPTION	QTY	MATERIAL/FINISH
5	SHUNT TERMINAL-B	1	BRASS, TIN/LEAD PLATED
4	SHUNT TERMINAL-A	1	BRASS, TIN/LEAD PLATED
3	TIP	1	PHOSPHOR BRONZE, TIN/LEAD PLATED
2	SLEEVE	1	BRASS, NICKEL PLATED
1	HOUSING	1	PBT, UL94V-0



TITLE: PHONO JACK		PART NO: SI-370-XX	
DATE: 03/12/97	DRAWN: HV	REV: A	SCALE: N/A
		SHEET: 1 OF 2	

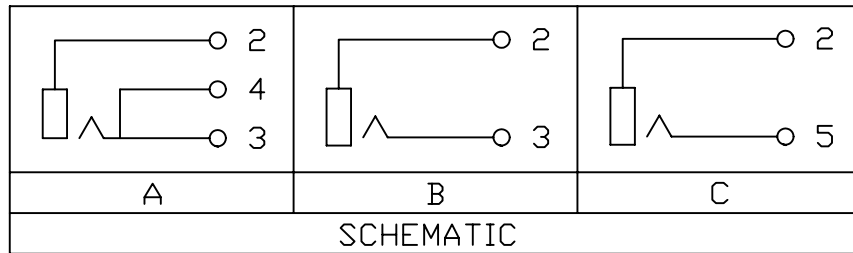
SPECIFICATIONS

ELECTRICAL

CONTACT RESISTANCE: 30 MILLIOHMS MAX.
 INSULATION RESISTANCE: 100 MEGOHMS MIN. AT 500 VDC
 DIELECTRIC STRENGTH: 500 VAC FOR 60 SECONDS

MECHANICAL

INSERTION FORCE: 3.0 Kg MAX.
 WITHDRAWAL FORCE: 0.8 - 3.0 Kg
 OPERATING LIFE: 5000 CYCLES



NOTE: FIRST X DENOTES SCHEMATIC
 SECOND X DENOTES COLOR OF HOUSING

- 1. BLUE
- 2. RED
- 3. BLACK
- 4. BROWN
- 5. GREEN
- 6. WHITE
- 7. GRAY
- 8. ORANGE
- 9. YELLOW
- 10. VIOLET
- 11. IVORY/NEUTRAL



SENIOR INDUSTRIES, INC.

TITLE: PHONO JACK		PART NO: SI-370-XX	
DATE: 03/12/97	DRAWN: HV	REV: A	SCALE: N/A
		SHEET: 2 OF 2	