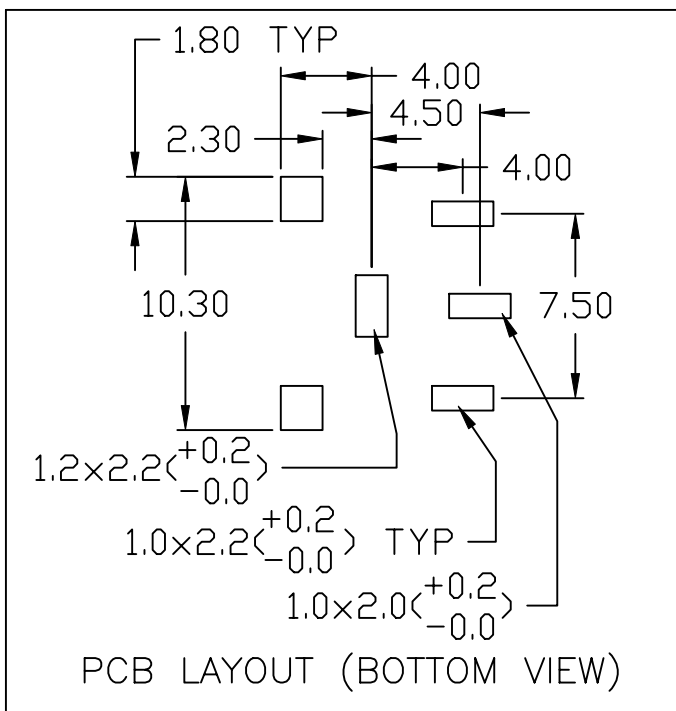
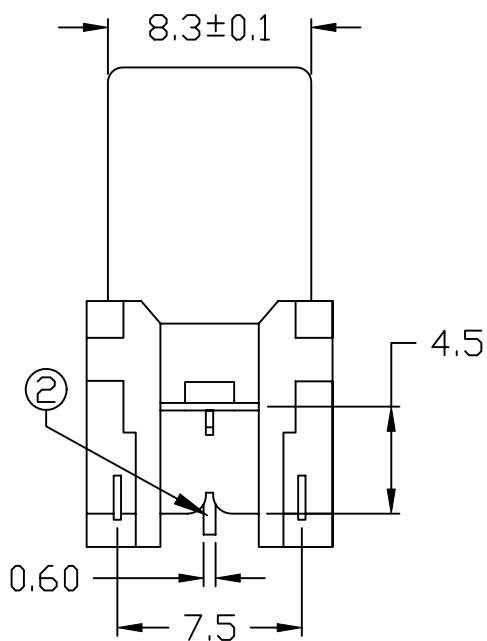
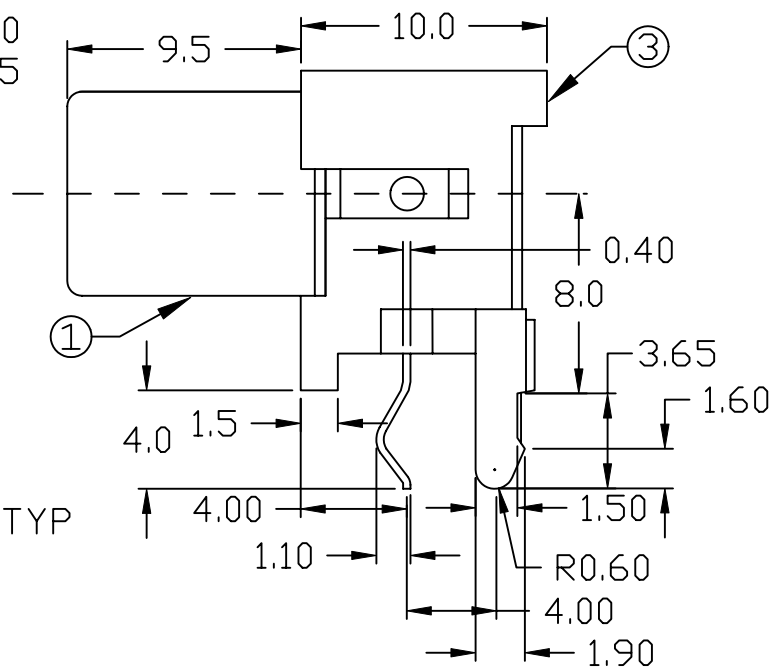
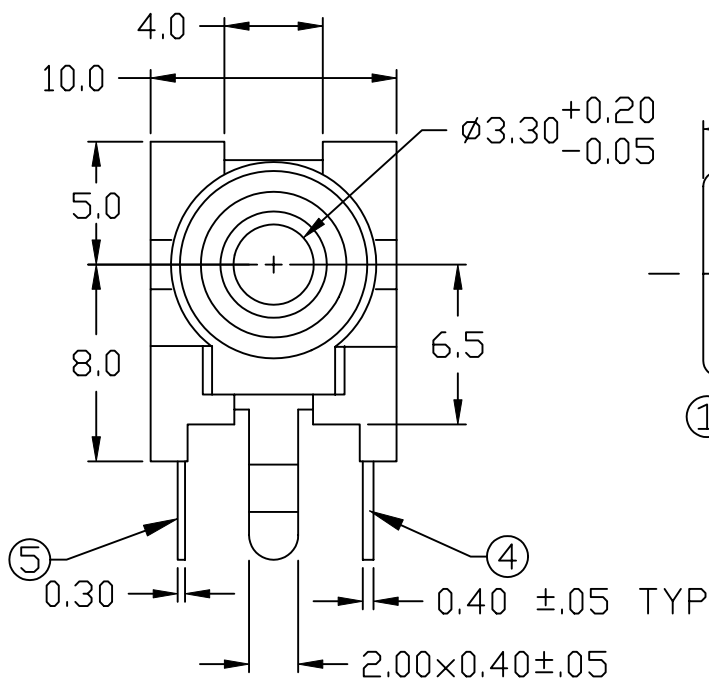


UNLESS OTHERWISE SPECIFIED, ALL DIMENSIONS ARE IN METRIC.

TO 1 DECIMAL PLACE ±.3  
 TO 2 DECIMAL PLACES ±.13  
 AS ANGLES ±1/2°

ISSUE  
 A

DATE  
 03/30/98



5	SLEEVE TERMINAL	1	PHOSPHOR BRONZE, SILVER PLATED
4	TERMINAL	1	BRASS, SILVER PLATED
3	HOUSING	1	NYLON FR52, 30% GLASS
2	TIP	1	BRASS, NICKEL PLATED
1	SLEEVE	1	STEEL, NICKEL PLATED
ITEM	DESCRIPTION	QTY	MATERIAL/FINISH



TITLE: PHONE JACK		PART NO: SI-374-X-X		
DATE: 11/10/97	DRAWN: HV	CHKD: JF	SCALE: 3/1	SHEET: 1 OF 2

UNLESS OTHERWISE SPECIFIED, ALL DIMENSIONS ARE IN METRIC.

TO 1 DECIMAL PLACE ±.3  
 TO 2 DECIMAL PLACES ±.13  
 AS ANGLES ±1/2°

ISSUE  
 A

DATE  
 03/30/98

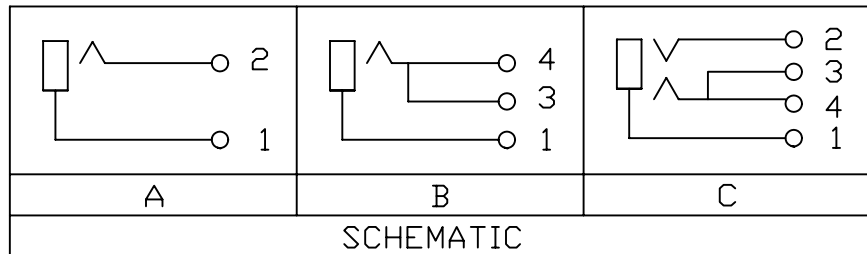
SPECIFICATIONS

ELECTRICAL:

CONTACT RESISTANCE: 30 MILLIOHMS MAX.  
 INSULATION RESISTANCE: 100 MEGOHMS MIN. AT 500 VDC  
 DIELECTRIC STRENGTH: 500 VAC FOR 60 SECONDS

MECHANICAL:

INSERTION FORCE: 3.0 Kg MAX.  
 WITHDRAWAL FORCE: 0.8 – 3.0 Kg  
 OPERATING LIFE: 5000 CYCLES



NOTE: SECOND X DENOTES COLOR OF HOUSING



TITLE: PHONE JACK		PART NO: SI-374-X-X	
DATE: 11/10/97	DRAWN: HV	CHKD: JF	SCALE: SHEET: 2 OF 2