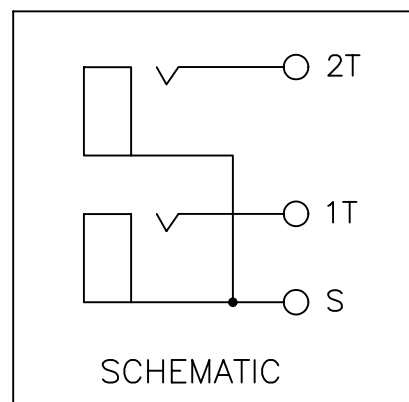
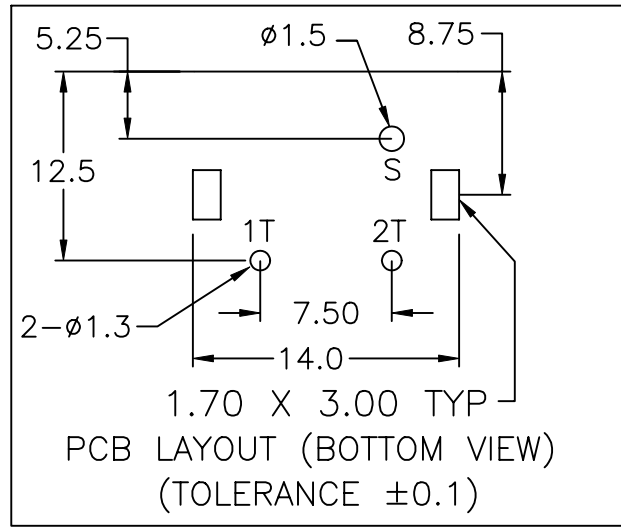
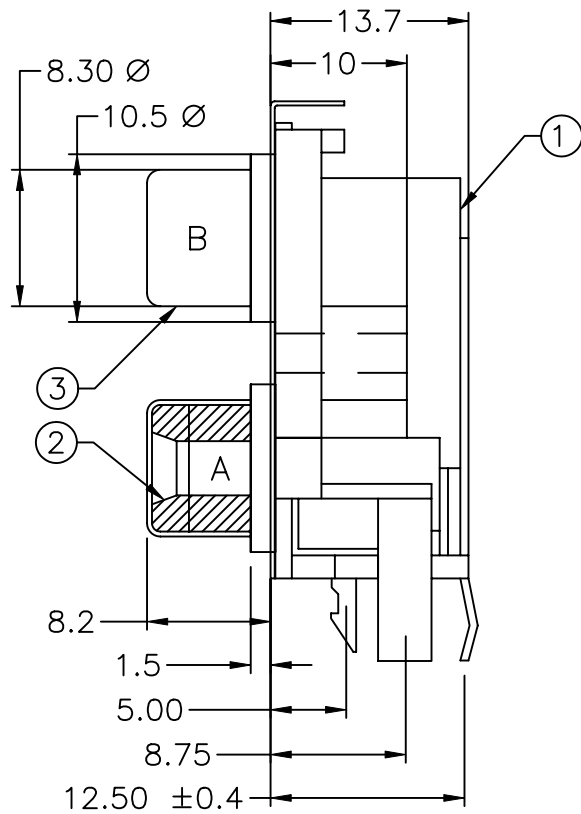
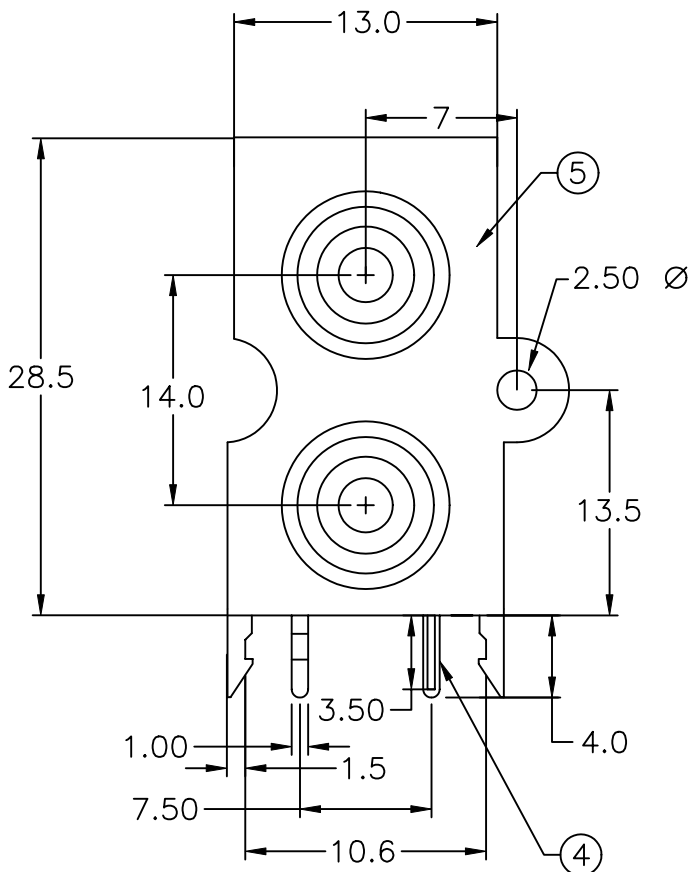


UNLESS OTHERWISE SPECIFIED, ALL DIMENSIONS ARE IN METRIC.

TO 1 DECIMAL PLACE ±.3
 TO 2 DECIMAL PLACES ±.13
 AS ANGLES ±1/2°

ISSUE	DATE
C	01/25/01
D	04/27/01



NOTE: FIRST 'X' DENOTES COLOR CODE FOR A
 SECOND 'X' DENOTES COLOR CODE FOR B

5	SHIELD	BRASS - 0.4MM t - TIN PLATED
4	TIP	BRASS - 0.4MM t - TIN PLATED
3	SLEEVE	BRASS - 0.4MM t - NICKEL PLATED
2	INSULATOR	ABS - UL94HB - SELECT COLOR
1	HOUSING	ABS - UL94HB - BLACK
ITEM	DESCRIPTION	MATERIAL/FINISH



TITLE: PHONO JACK		PART NO: SI-375S-XX	
DATE: 07/25/00	DRAWN: RB	CHKD:	SCALE: 2/1
		SHEET: 1 OF 2	

UNLESS OTHERWISE SPECIFIED, ALL DIMENSIONS ARE IN METRIC.

TO 1 DECIMAL PLACE ±
TO 2 DECIMAL PLACES ±
AS ANGLES ±

ISSUE	DATE
C	01/25/01
D	04/27/01

SPECIFICATIONS

ELECTRICAL

CONTACT RESISTANCE: 30 MILLIOHMS MAX.
INSULATION RESISTANCE: 100 MEGOHMS MIN. AT 500 VDC
DIELECTRIC STRENGTH: 500VAC FOR 1 MINUTE

MECHANICAL

INSERTION FORCE: 3.0 Kg MAX.
WITHDRAWAL FORCE: 0.8 – 3.0 Kg
LIFE: 5000 CYCLES MIN.

COLOR CODE:

1 – BLUE	6 – WHITE
2 – RED	7 – GRAY
3 – BLACK	8 – ORANGE
4 – BROWN	9 – YELLOW
5 – GREEN	0 – VIOLET



TITLE: PHONO JACK		PART NO: SI-375S-XX		
DATE: 07/25/00	DRAWN: RB	CHKD:	SCALE: N/A	SHEET: 2 OF 2