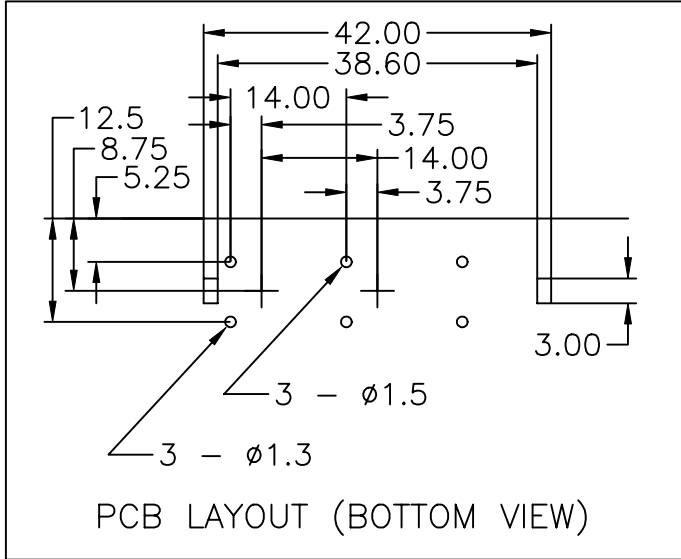
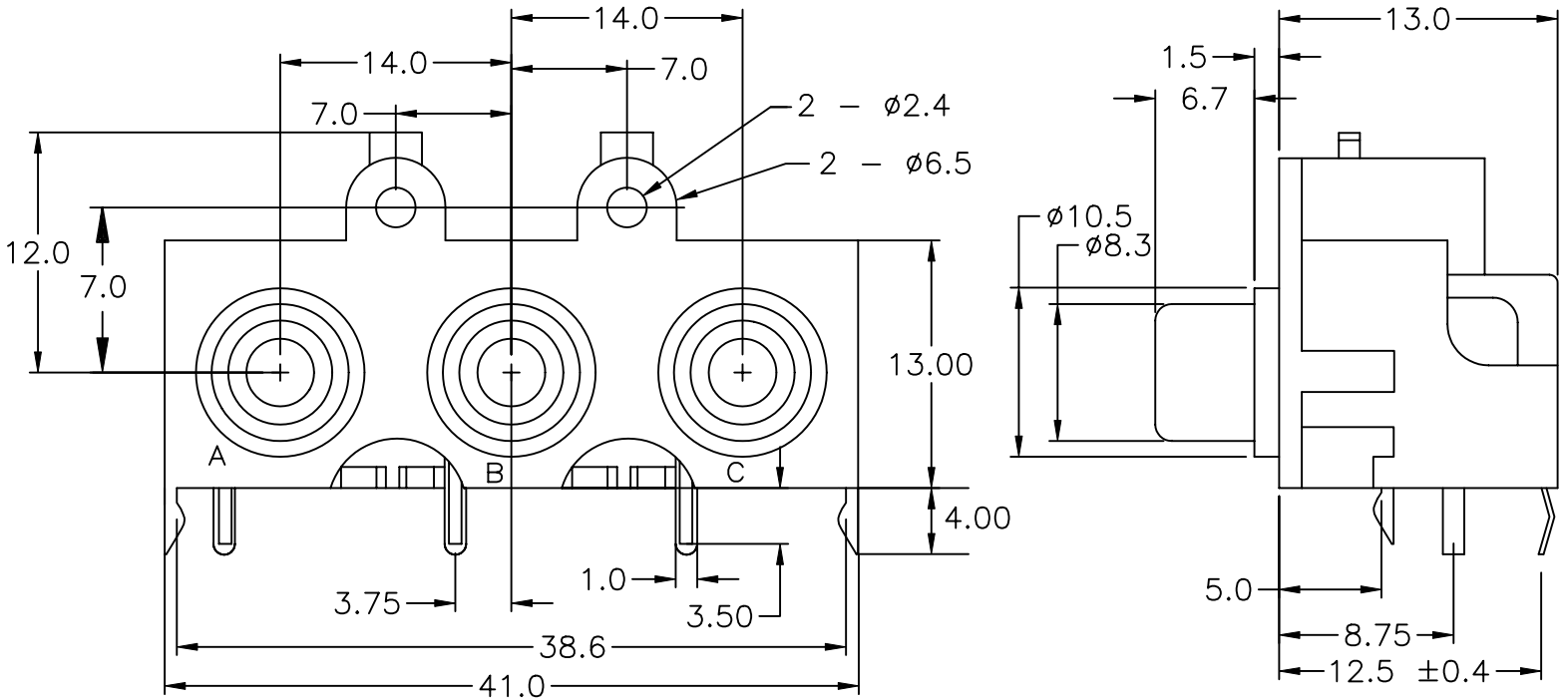


UNLESS OTHERWISE SPECIFIED, ALL DIMENSIONS ARE IN METRIC.

TO 1 DECIMAL PLACE ±0.3  
 TO 2 DECIMAL PLACES ±0.13  
 AS ANGLES ±1/2°

| ISSUE | DATE     |
|-------|----------|
| A     | 08/28/00 |
| B     | 10/19/00 |



NOTE: FIRST 'X' IN PART NO. DENOTES COLOR CODE FOR A.  
 SECOND 'X' IN PART NO. DENOTES COLOR CODE FOR B.  
 THIRD 'X' IN PART NO. DENOTES COLOR CODE FOR C.

| ITEM | DESCRIPTION | MATERIAL                        |
|------|-------------|---------------------------------|
| 5    | SHIELD      | BRASS - 0.2MM t - NICKEL PLATED |
| 4    | TERMINAL    | BRASS - 0.4MM t - TIN PLATED    |
| 3    | SLEEVE      | BRASS - 0.4MM t - TIN PLATED    |
| 2    | INSULATOR   | ABS - UL94HB - SELECT COLOR     |
| 1    | HOUSING     | ABS - UL94HB - BLACK            |



|                      |              |                         |               |
|----------------------|--------------|-------------------------|---------------|
| TITLE:<br>PHONO JACK |              | PART NO:<br>SI-376S-XXX |               |
| DATE:<br>04/27/00    | DRAWN:<br>RB | CHKD:                   | SCALE:<br>2/1 |
|                      |              | SHEET:<br>1 OF 2        |               |

UNLESS OTHERWISE SPECIFIED, ALL DIMENSIONS ARE IN METRIC.

TO 1 DECIMAL PLACE ±  
TO 2 DECIMAL PLACES ±  
AS ANGLES ±

| ISSUE | DATE     |
|-------|----------|
| A     | 08/28/00 |
| B     | 10/19/00 |

### SPECIFICATIONS

#### ELECTRICAL

CONTACT RESISTANCE: 30 MILLIOHMS MAX.  
INSULATION RESISTANCE: 100 MEGOHMS MIN. AT 500 VDC  
DIELECTRIC STRENGTH: 500VAC FOR 1 MINUTE

#### MECHANICAL

INSERTION FORCE: 3.0 Kg MAX.  
WITHDRAWAL FORCE: 0.8 – 3.0 Kg  
LIFE: 5000 CYCLES MIN.



**SENIOR  
INDUSTRIES, INC.**

TITLE: PHONO JACK

PART NO:  
SI-376S-XXX

DATE: 04/27/00

DRAWN: RB

CHKD:

SCALE: N/A

SHEET: 2 OF 2