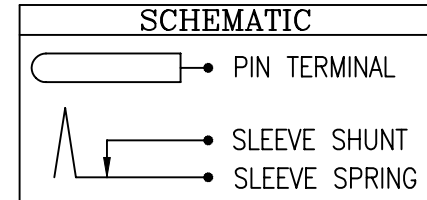
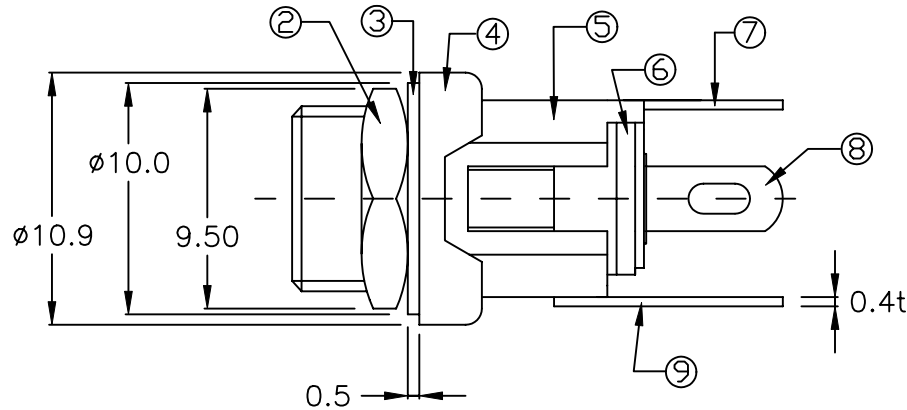


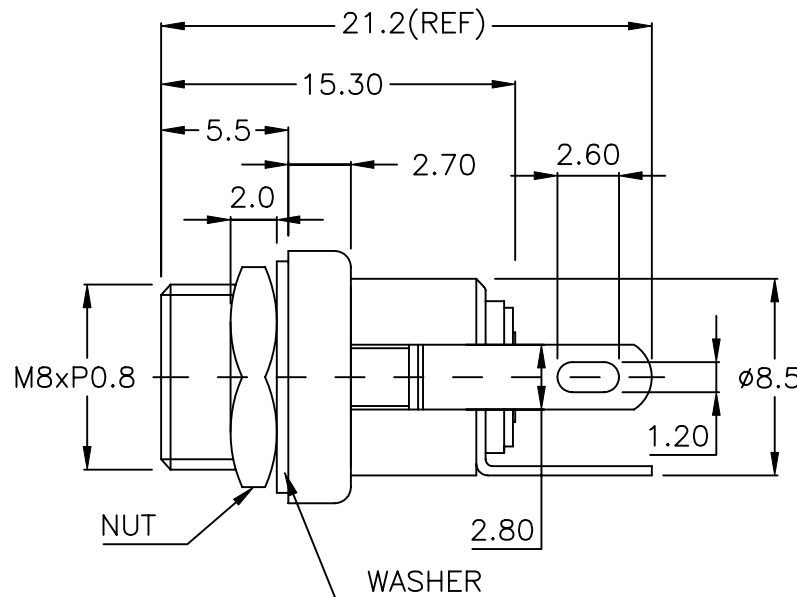
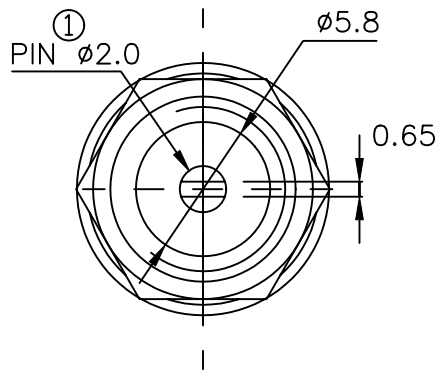
COMPONENT SPECIFICATION

USE OR REPRODUCTION OF THIS DRAWING FOR THE PURPOSE OF MANUFACTURING THIS ARTICLE OR ANY ARTICLES SHOWN FOR ANY PURPOSE IS STRICTLY PROHIBITED WITHOUT WRITTEN PERMISSION FROM SENIOR INDUSTRIES, INC.



SPECIFICATIONS:

RATING: 16 VDC @ 2A
 CONTACT RESISTANCE:
 30 mOHMS MAX.
 ISULATION RESISTANCE:
 100 MOHMS MIN. @ 500 VDC.
 WITHSTAND VOLTAGE:
 500 VAC FOR 1 MINUTE.
 LIFE: 5,000 CYCLES



ITEM	DESCRIPTION	QT'Y	MATERIAL/FINISH
1	PIN	1	BRASS - NICKEL PLATED
2	NUT	1	BRASS - NICKEL PLATED
3	WASHER	1	BRASS - NICKEL PLATED
4	BUSHING	1	BRASS - NICKEL PLATED
5	HOUSING	1	ABS PLASTIC
6	COVER	1	BAKELITE
7	PIN TERMINAL	1	BRASS - NICKEL PLATED
8	SLEEVE SPRING	1	BRASS - NICKEL PLATED
9	SLEEVE SHUNT	1	BRASS - NICKEL PLATED.



DESIGNED:			SYM.	DATE:	DESCRIPTION OF REVISIONS:	DRAWN:	APPD:	TOLERANCE:	PART NO:	SI-502A
DRAWN:	GAT	05/05/05	▲	05.05.05	NEW	GAT				
CHECKED:			▲	.	.			TO 2 DECIMAL PLACES: ±.10	SHEET:	1 OF 1
APPROVED:			▲	.	.			AS ANGLES: ±1/2°		
3RD ANGLE		UNIT:	mm	SCALE:	1:1	REV.	A			