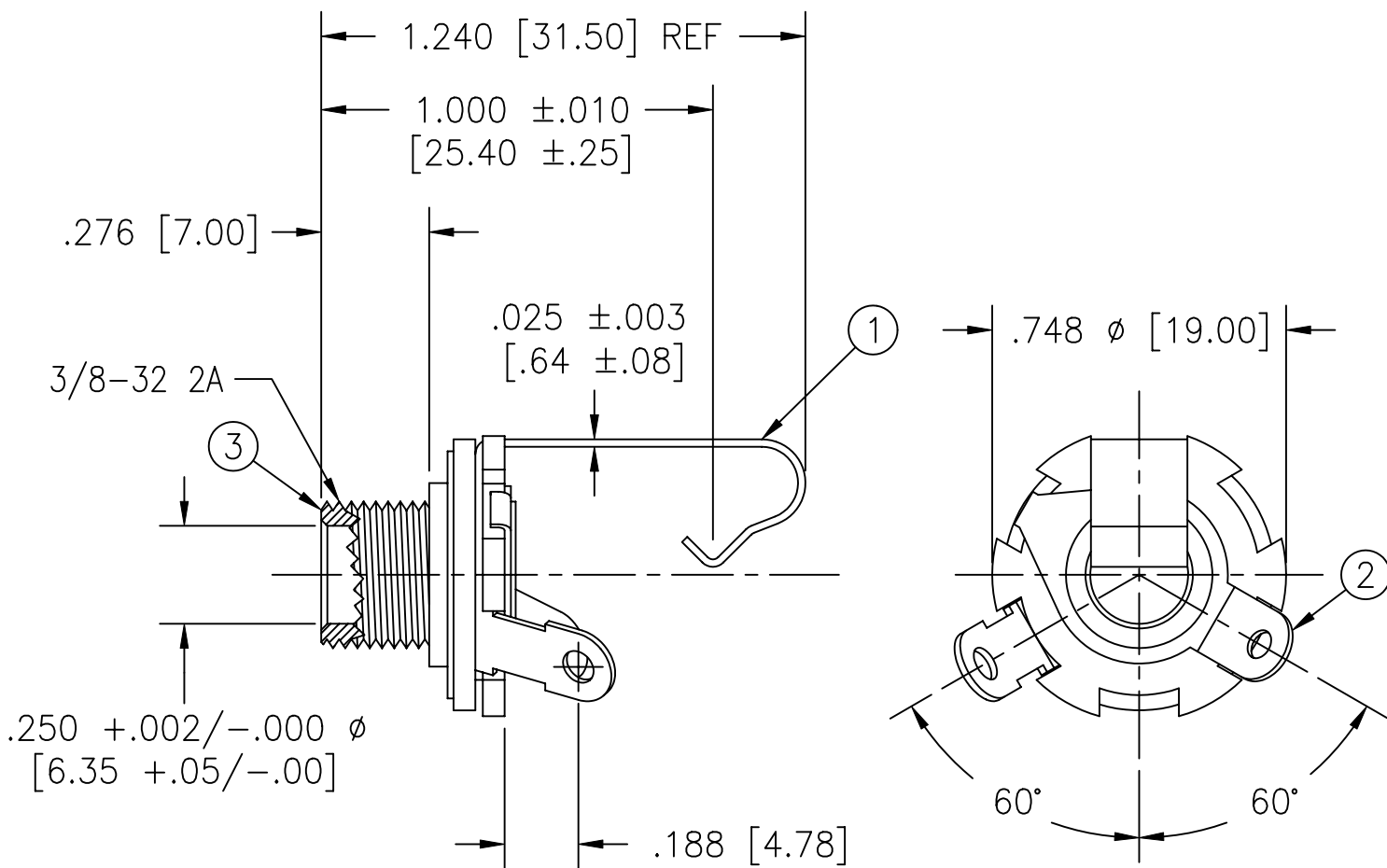


UNLESS OTHERWISE SPECIFIED, ALL DIMENSIONS ARE IN INCHES WITH METRIC IN BRACKETS.

TO 2 DEC. PLS. ±
 TO 3 DEC. PLS. ±.015 [.38]
 AS ANGLES ±

ISSUE	DATE
A	06/01/94



NOTE:

- PHONE JACK SHALL MEET THE REQUIREMENTS OF SPECIFICATION SR1110.

ITEM	DESCRIPTION	QTY	MATERIAL/FINISH
1	SPRING	1	BRONZE, TIN PLATED
2	TERMINAL	1	BRASS, TIN PLATED
3	MOUNTING BUSHING	1	BRASS, NICKEL PLATED



TITLE: 2 COND PHONE JACK		PART NO: SI-503NH	
DATE: 05/31/94	DRAWN: GAM	CHKD: JF	SCALE: 2/1 SHEET: 1 OF 1