

1

2

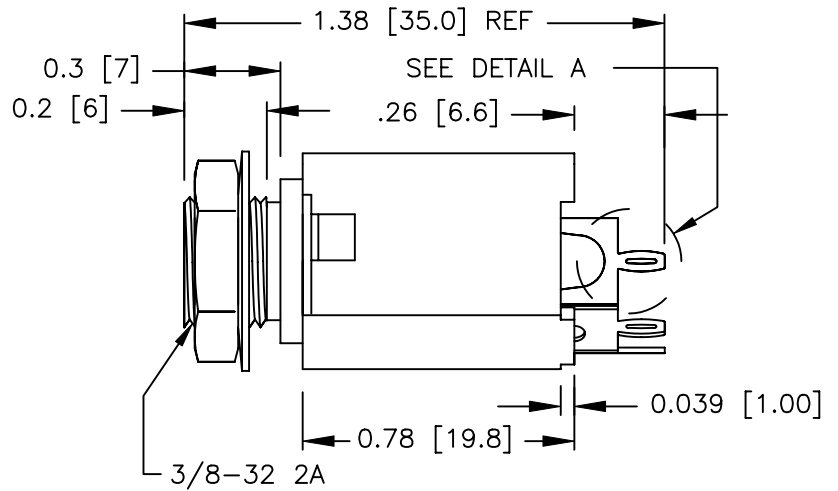
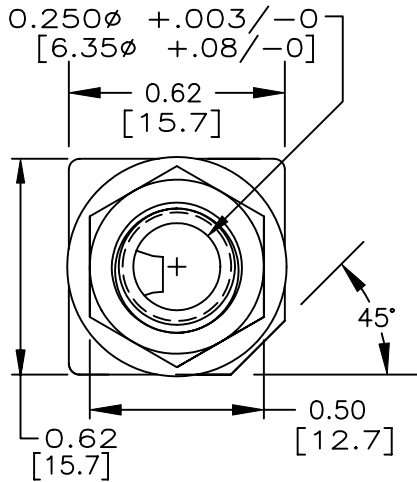
3

4

COMPONENT SPECIFICATION

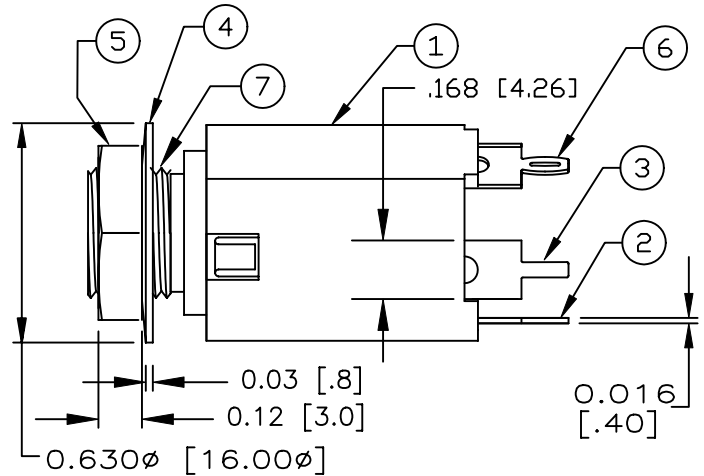
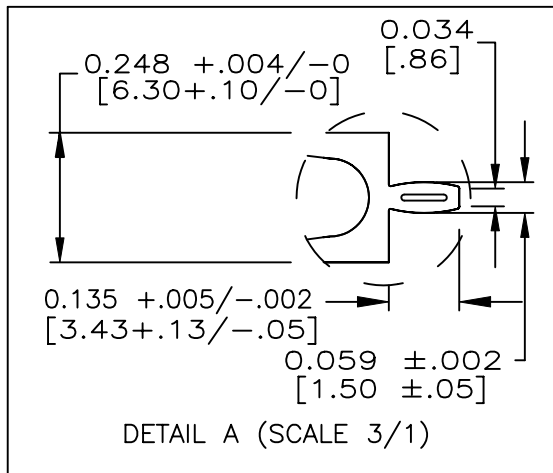
USE OR REPRODUCTION OF THIS DRAWING FOR THE PURPOSE OF MANUFACTURING THIS ARTICLE OR ANY ARTICLES SHOWN FOR ANY PURPOSE IS STRICTLY PROHIBITED WITHOUT WRITTEN PERMISSION FROM SENIOR INDUSTRIES, INC.

A



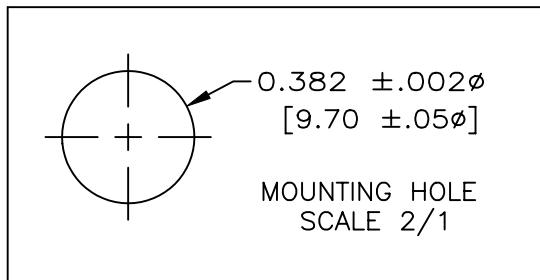
B

C



SI-508PR-2 SHOWN

D



7	BUSHING	ABS, UL94V-0
6	SLEEVE TERMINAL	BRASS - TIN PLATED
5	HEX NUT	BRASS - NICKEL PLATED
4	WASHER	BRASS - NICKEL PLATED
3	SHUNT TERMINAL	BRONZE - TIN PLATED
2	TIP SPRING	BRONZE - TIN PLATED
1	HOUSING	ABS, UL94V-0
ITEM	DESCRIPTION	MATERIAL/FINISH

E

DESIGNED:			SYM.	DATE:	DESCRIPTION OF REVISIONS:	DRAWN	APPD.
DRAWN:	HV	11/17/97	Δ	11.17.97	Drawn to new print format; was created as new w/PC ret leads	TF	JF
CHECKED:	GAT	03/30/06	Δ	10.07.05	New indicator, T1 showed for No.6 Schematic choice. X note	GAT	JF
APPROVED:	JF	04/07/06	Δ	03.30.06	Side view of terminals corrected per sample	GAT	JF
			Δ	.			
			Δ	.			

3RD ANGLE		UNIT:	IN[mm]	SCALE:	2:1	REV.	F
-----------	--	-------	--------	--------	-----	------	---



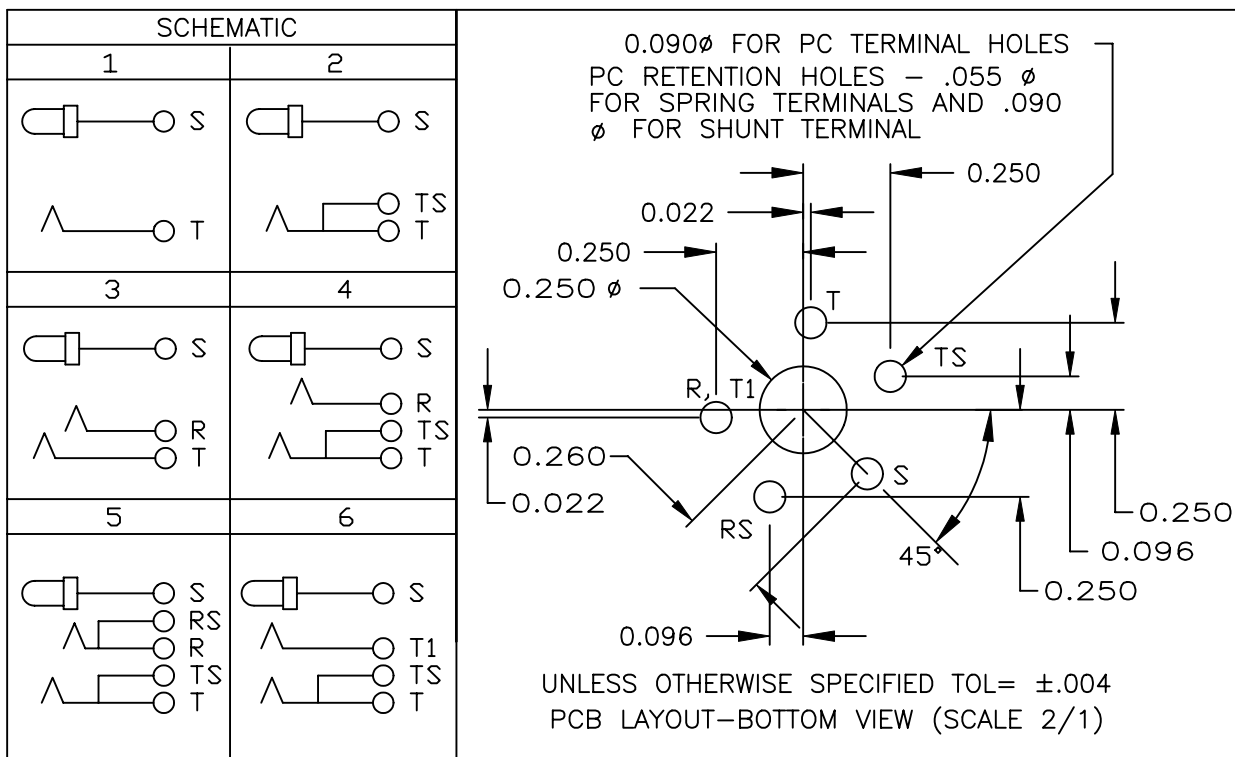
TOLERANCE:	PART NO:
TO 1 DECIMAL PLACE: \pm .015 [4.0]	SI-508PR-X
TO 2 DECIMAL PLACES: \pm .010 [3.0]	TITLE:
TO 3 DECIMAL PLACES: \pm .006 [1.5]	ENCLOSED PHONE JACK
SHEET:	1 OF 2

1

2

3

4

COMPONENT
SPECIFICATIONUSE OR REPRODUCTION OF THIS DRAWING FOR THE PURPOSE OF MANUFACTURING THIS
ARTICLE OR ANY ARTICLES SHOWN FOR ANY PURPOSE IS STRICTLY PROHIBITED WITHOUT
WRITTEN PERMISSION FROM SENIOR INDUSTRIES, INC.SPECIFICATIONS:ELECTRICAL:

CONTACT RATING:	0.25A AT 48 VDC
CONTACT RESISTANCE:	20 MILLIOHMS MAX. INITIAL, 50 MILLIOHMS MAX. AFTER LIFE
INSULATION RESISTANCE:	50,000 MEGOHMS MIN. AT 500 VDC
DIELECTRIC STRENGTH:	500 VAC FOR ONE MINUTE

MECHANICAL:

INSERTION FORCE:	0.5 TO 3.0 Kg
WITHDRAWAL FORCE:	0.5 TO 3.0 Kg
OPERATING LIFE:	10,000 CYCLES

ENVIRONMENTAL:

OPERATING TEMPERATURE:	-40°C TO 80°C
------------------------	---------------

NOTE: 'X' IN PART NUMBER DENOTES SCHEMATIC: SEE TABLE ABOVE

DESIGNED:			SYM.	DATE:	DESCRIPTION OF REVISIONS:	DRAWN	APPD.
DRAWN:	HV	11/17/97	Δ	11.17.97	Drawn to new print format; was created as new w/PC ret leads	TF	JF
CHECKED:	GAT	03/30/06	Δ	10.07.05	New indicator, T1 showed for No.6 Schematic choice. X note	GAT	JF
APPROVED:	JF	04/07/06	Δ	03.30.06	Side view of terminals corrected per sample	GAT	JF
			Δ	.			
			Δ	.			

3RD ANGLE		UNIT:	IN[mm]	SCALE:	2:1	REV.	F
-----------	--	-------	--------	--------	-----	------	---

**SENIOR
INDUSTRIES, INC.**

TOLERANCE:

TO 1 DECIMAL PLACE:	\pm
TO 2 DECIMAL PLACES:	\pm
TO 3 DECIMAL PLACES:	\pm

SHEET:

PART NO:

SI-508PR-X

TITLE:

ENCLOSED PHONE JACK

2 OF 2