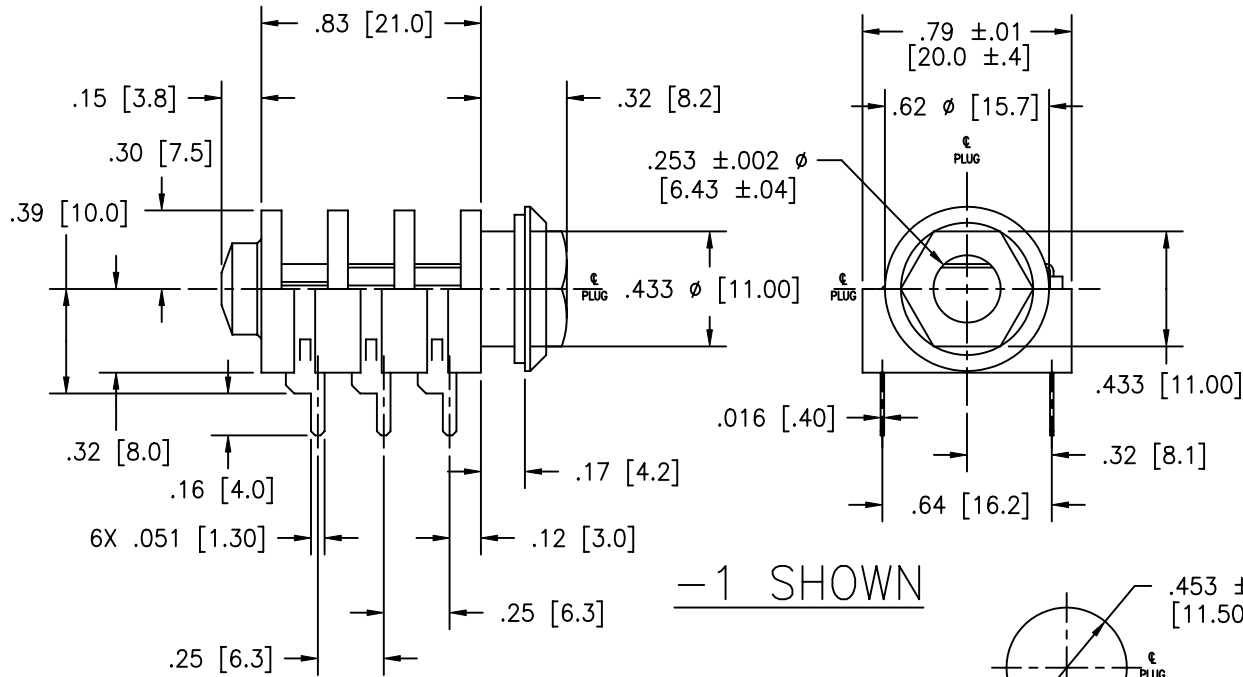


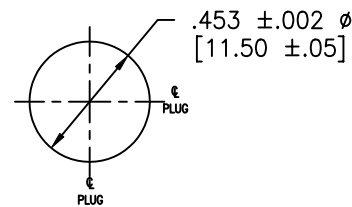
UNLESS OTHERWISE SPECIFIED, ALL DIMENSIONS ARE IN INCHES WITH METRIC IN BRACKETS.

TO 2 DEC. PLS. ? .01 [.3]  
 TO 3 DEC. PLS. ? .006 [.15]  
 AS ANGLES ?

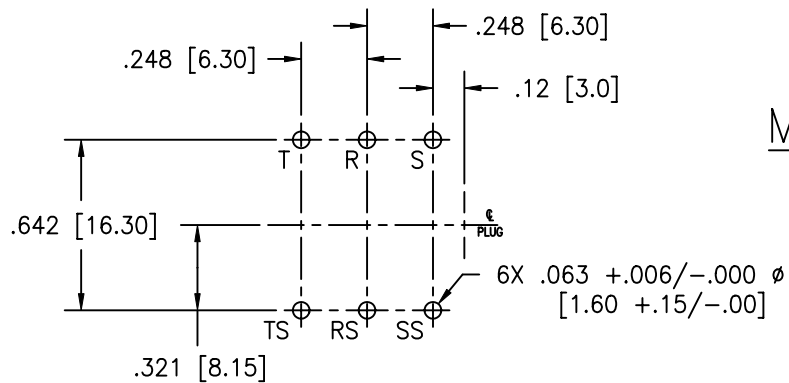
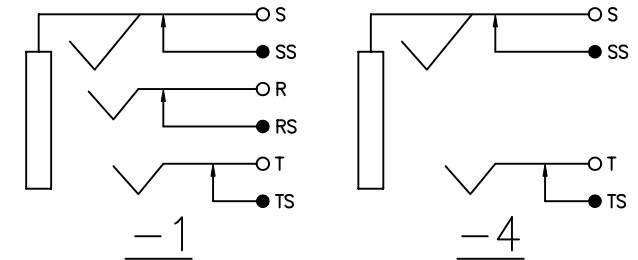
| ISSUE | DATE     | AUTH. |
|-------|----------|-------|
| A     | 12/07/92 | A1035 |
| B     | 01/15/95 |       |



-1 SHOWN



MOUNTING HOLE



P.C.B. LAYOUT

| PART         | QTY | MATERIAL/FINISH  |
|--------------|-----|--|
| HOUSING      | 1   | NYLON-66, BLACK, UL94V-2 RATED                         |
| TIP SPRING   | 3   | P.B.S., SILVER PLATED                                  |
| SHUNT SPRING | 3   | BRASS, SILVER PLATED                                   |
| WASHER       | 1   | PAPER SHEET, RED, .04 [1.0] THK                        |
| WASHER       | 1   | NYLON-66, BLACK, UL94-2 RATED, .19 [4.8] THK X .6 [15] |
| BUSHING      | 1   | BRASS, NICKEL PLATED                                   |

AUTOCAD GENERATED  
 DO NOT MANUALLY CHANGE



|                       |            |                   |                          |
|-----------------------|------------|-------------------|--------------------------|
| TITLE: HEADPHONE JACK |            | PART NO: SI-510-X |                          |
| DATE: 9/18/92         | DRAWN: GAM | CHKD:             | SCALE: 2/1 SHEET: 1 OF 1 |