

COMPONENT SPECIFICATION

USE OR REPRODUCTION OF THIS DRAWING FOR THE PURPOSE OF MANUFACTURING THIS ARTICLE OR ANY ARTICLES SHOWN FOR ANY PURPOSE IS STRICTLY PROHIBITED WITHOUT WRITTEN PERMISSION FROM SENIOR INDUSTRIES, INC.

SPECIFICATIONS

ELECTRICAL:

RATED VOLTAGE: 12 VDC  
 RATED CURRENT: 1 A  
 CONTACT RESISTANCE: 30 MILLIOHMS MAX.  
 INSULATION RESISTANCE: 100 MEGOHMS MIN.  
 DIELECTRIC STRENGTH: 250 VAC FOR 1 MINUTE.

MECHANICAL:

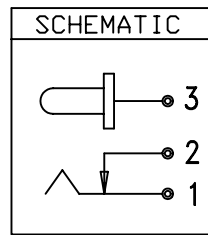
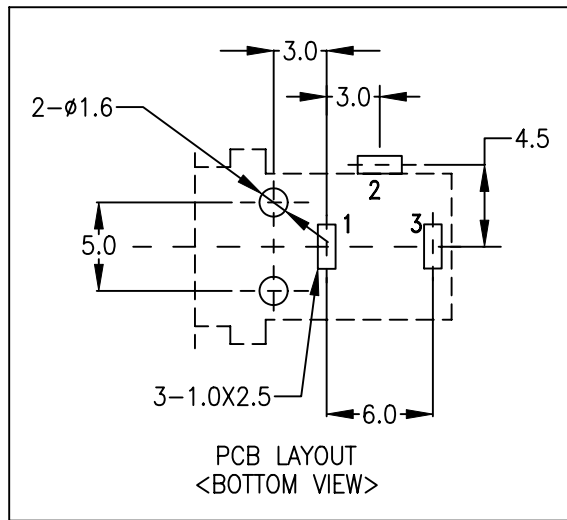
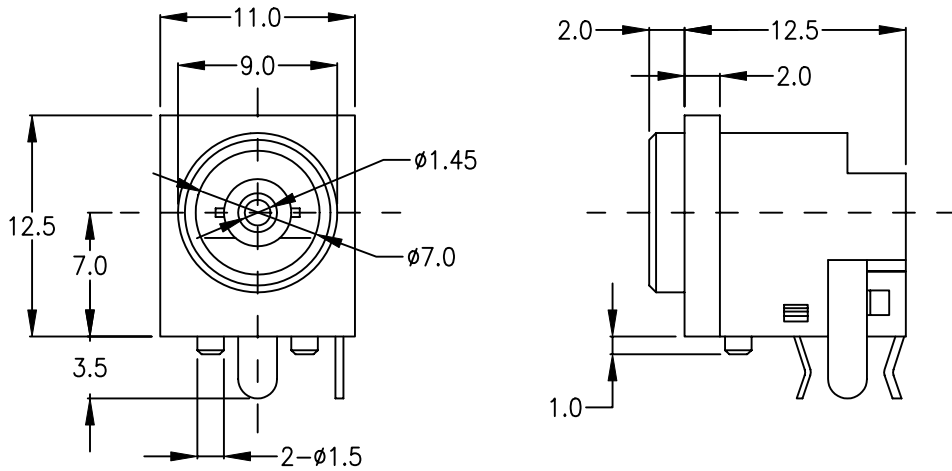
OPERATING LIFE: 5,000 CYCLES

MATERIAL:

HOUSING: PBT, BLACK, UL94V-2  
 SLEEVE SHUNT: BRASS, SILVER PLATED  
 SLEEVE SPRING: SPRINGSTEEL, 65JIN SILVER PLATED  
 PIN TERMINAL/CENTER PIN: PHOSPHOR BRONZE, SILVER PLATED

ENVIRONMENTAL

OPERATING TEMPERATURE: -25°C TO +85°C  
 STORAGE TEMPERATURE: -40°C TO +100°C  
 HUMIDITY RANGE: 10% RH TO 80% RH



**SENIOR INDUSTRIES, INC.**

DESIGNED:			SYM.	DATE:	DESCRIPTION OF REVISIONS:	DRAWN:	APPD:	TOLERANCE:	PART NO:	SI-530	
DRAWN:	GAT	02/16/05	▲	02.16.05	NEW	GAT	TF				
CHECKED:	GAT	03/13/06	▲	05.20.05	Added UL94V-2 on housing mat/finish type.	GAT	JF	TO 1 DECIMAL PLACE: ±.2	TITLE:	DC POWER JACK	
APPROVED:	JF	03/14/06	▲	03.13.06	Material spec corrected	GAT	JF	TO 2 DECIMAL PLACES: ±.15			
3RD ANGLE		UNIT:	mm	SCALE:	1:1	REV:	C	AS ANGLES:	±	SHEET:	1 OF 1