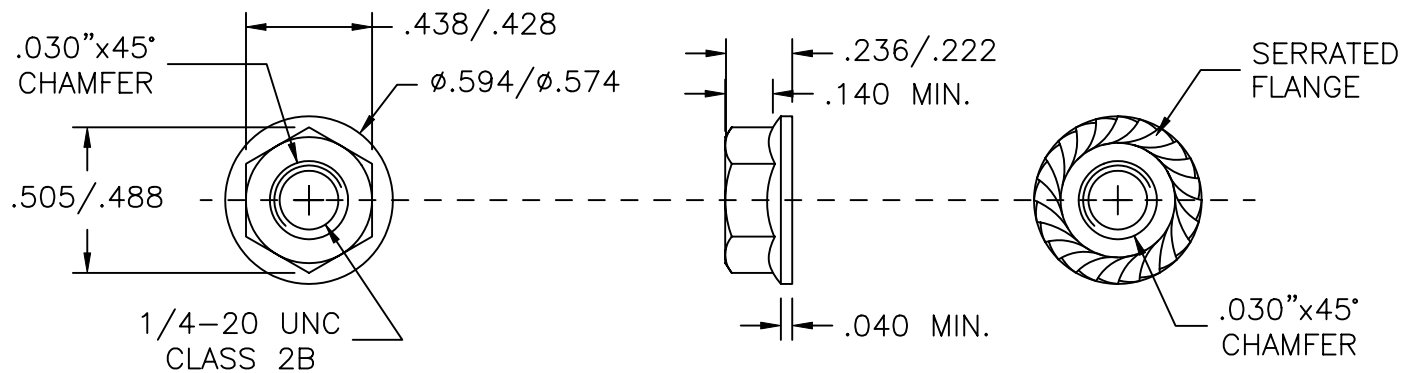
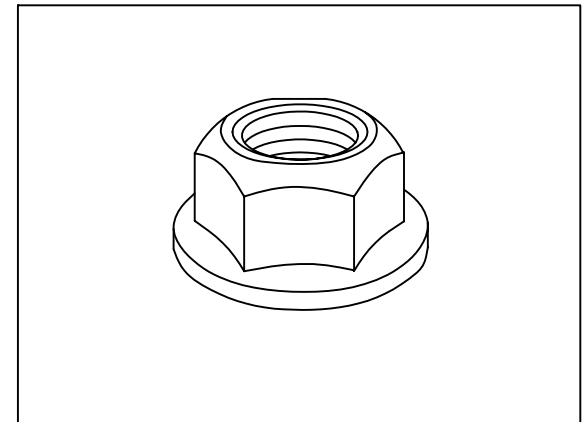


COMPONENT SPECIFICATION

USE OR REPRODUCTION OF THIS DRAWING FOR THE PURPOSE OF MANUFACTURING THIS ARTICLE OR ANY ARTICLES SHOWN FOR ANY PURPOSE IS STRICTLY PROHIBITED WITHOUT WRITTEN PERMISSION FROM SENIOR INDUSTRIES, INC.

NOTES:

1. MATERIAL: GRADE 2 STEEL.
2. ROCKWELL HARDNESS: C40 MAX. SURFACE.
3. FINISH: ZINC PLATED.
4. HEX WIDTH: 7/16", NUT HEIGHT: 15/64", FLANGE DIAMETER: 37/64".
5. FOR USE WITH GRADE 2 BOLTS AND SCREWS.
6. PART TO RESIST VIBRATION AND LARGE BEARING SURFACE.



SENIOR INDUSTRIES, INC.

DESIGNED:			SYM.	DATE:	DESCRIPTION OF REVISIONS:	DRAWN:	APPD:	TOLERANCE:	PART NO:	SI-5358		
DRAWN:	GAT	10/31/07		10.31.07	NEW	GAT	JF					
CHECKED:	GAT	11/01/07		.	.			TO 2 DECIMAL PLACE: \pm	TITLE:	HEX LOCKNUT		
APPROVED:	JF	11/01/07		.	.			TO 3 DECIMAL PLACES: $\pm .005$				
3RD ANGLE			UNIT:	IN	SCALE:	1:1	REV:	A	AS ANGLES:	$\pm 1/2'$	SHEET:	1 OF 1