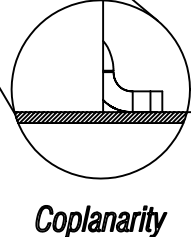
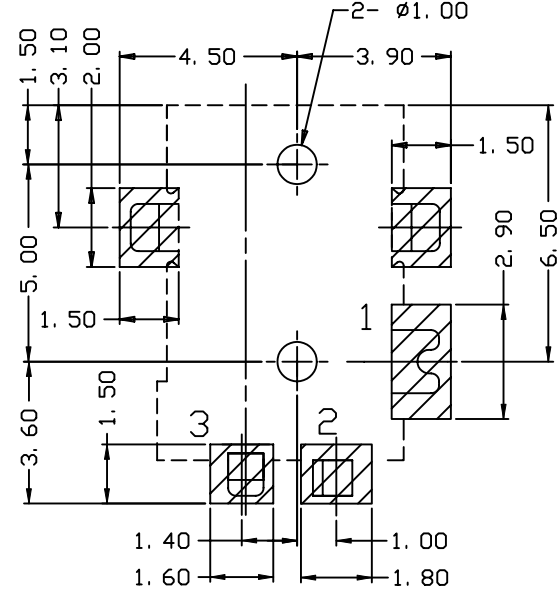
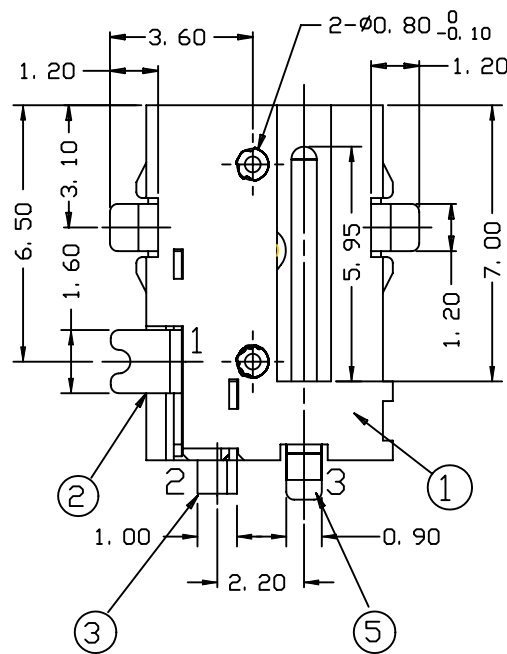
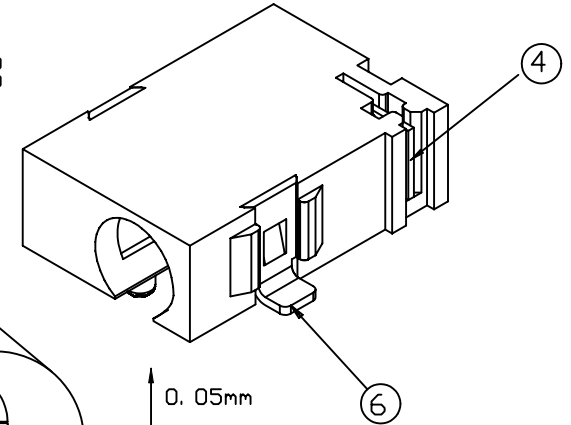
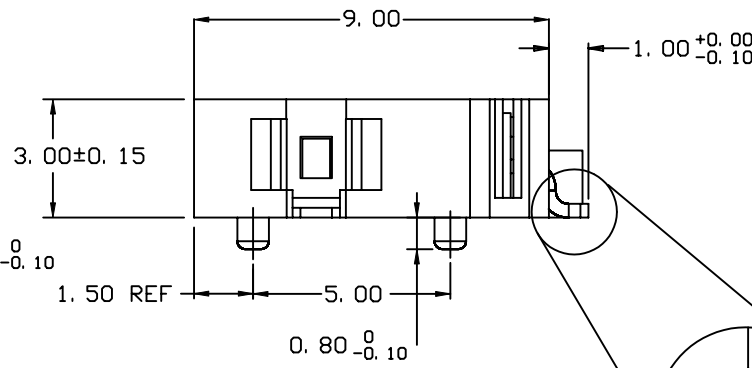
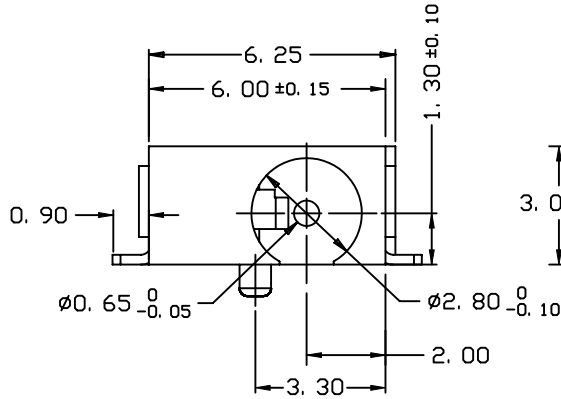


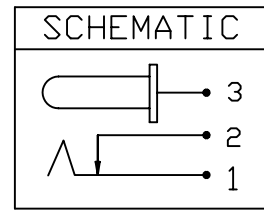
COMPONENT SPECIFICATION

USE OR REPRODUCTION OF THIS DRAWING FOR THE PURPOSE OF MANUFACTURING THIS ARTICLE OR ANY ARTICLES SHOWN FOR ANY PURPOSE IS STRICTLY PROHIBITED WITHOUT WRITTEN PERMISSION FROM SENIOR INDUSTRIES, INC.



0.05mm
0.13mm

Coplanarity



ITEM	NAME	MATERIAL	FINISH	QT' Y	NOTE
6	SUPPORT	BRASS	Tin	2	0.25t
5	PIN	PBW	Ag	1	0.65ø
4	STOPPER	BRASS	Tin	1	0.20t
3	SLEEVE SHUNT	BRASS	Au/3u'+	1	0.20t
2	SLEEVE SPRING	Ti-Cu	Au/3u'+	1	0.20t
1	HOUSING	LCP	30	1	UL94V-0

Recommended Pads Layout
<Component Side>

RoHS COMPLIANT



DESIGNED:	DRAWN:	CHECKED:	APPROVED:	SYM.	DATE:	DESCRIPTION OF REVISIONS:	DRAWN:	APPD:
	RB	GAT	JF	▲	01.11.02	NEW	RB	JF
				▲	06.20.05	The two support legs shown. Detailed view. Finish corr'd	GAT	JF
				▲	03.02.06	Solder temp corr to 260°C, part is RoHS compl.	GAT	JF

TOLERANCE:	PART NO:	TITLE:
TO 1 DECIMAL PLACE: ±.3	SI-546-SMD	POWER JACK
TO 2 DECIMAL PLACES: ±.13		

1

2

3

4

5

SPECIFICATION

USE OR REPRODUCTION OF THIS DRAWING FOR THE PURPOSE OF MANUFACTURING THIS ARTICLE OR ANY ARTICLES SHOWN FOR ANY PURPOSE IS STRICTLY PROHIBITED WITHOUT WRITTEN PERMISSION FROM SENIOR INDUSTRIES, INC.

SPECIFICATIONS

ELECTRICAL

RATED VOLTAGE: 12 VRMS
RATED CURRENT: 2 AMPS
CONTACT RESISTANCE: 30 MILLIOHMS MAX.
INSULATION RESISTANCE: 100 MEGOHMS MINIMUM AT 500 VDC
DIELECTRIC STRENGTH: 500 VAC MIN. FOR 1 MINUTE

MECHANICAL

LIFE: 5000 CYCLES 5000 CYCLES

ENVIRONMENTAL

STORAGE TEMPERATURE: -40°C TO +100°C
OPERATING TEMPERATURE: -40°C TO +85°C
HUMIDITY RANGE: 10% RH TO 80% RH
PART SHALL WITHSTAND REFLOW SOLDER TEMPERATURE OF 260°C FOR 10 SECONDS.

RoHS COMPLIANT



SENIOR INDUSTRIES, INC.

DESIGNED:	SYM.	DATE:	DESCRIPTION OF REVISIONS:	DRAWN:	APPD:
	▲	01.11.02	NEW	RB	JF
DRAWN: RB 01/02/01	▲	06.20.05	The two support legs shown.Detailed view. Finish corr'd	GAT	JF
CHECKED: GAT 03/02/06	▲	03.02.06	Solder temp corr to 260°C, part is RoHS compl.	GAT	JF
APPROVED: JF 03/02/06	▲	.	.		
	▲	.	.		

TOLERANCE:	PART NO:	SI-546-SMD
TO 1 DECIMAL PLACE: ±	TITLE:	POWER JACK
TO 2 DECIMAL PLACES: ±	SHEET:	2 OF 2
AS ANGLES: ±		

3RD ANGLE		UNIT: mm	SCALE:	REV: C
------------------	--	----------	--------	--------