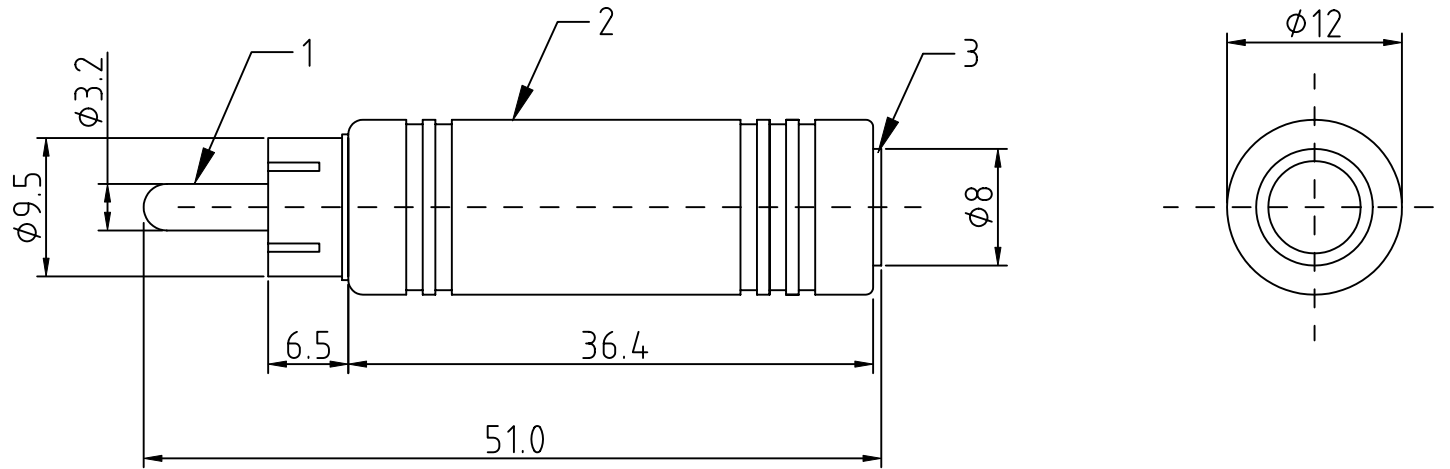


COMPONENT SPECIFICATION

USE OR REPRODUCTION OF THIS DRAWING FOR THE PURPOSE OF MANUFACTURING THIS ARTICLE OR ANY ARTICLES SHOWN FOR ANY PURPOSE IS STRICTLY PROHIBITED WITHOUT WRITTEN PERMISSION FROM SENIOR INDUSTRIES, INC.



ITEM	DESCRIPTION	QT'Y	MATERIAL/FINISH
1	RCA PLUG	1	BRASS, NICKEL PLATED
2	HOOD	1	MOLDED PVC, BLACK
3	ø6.3mm MONO(STEREO) JACK	1	BRASS; NICKEL PLATED



**SENIOR INDUSTRIES, INC.**

DESIGNED:			SYM.	DATE:	DESCRIPTION OF REVISIONS:	DRAWN:	APPD:	TOLERANCE:	PART NO:	SI-555	
DRAWN:	GAT	07/28/06	▲	07.28.06	NEW	GAT	JF				TO 1 DECIMAL PLACE: ±.2
CHECKED:	GAT	02/23/07	▲	.	.				TO 2 DECIMAL PLACES: ±.10	SHEET:	
APPROVED:	JF	02/23/07	▲	.	.						AS ANGLES: ±1/2°
3RD ANGLE		UNIT:	mm	SCALE:	2:1	REV.	A				