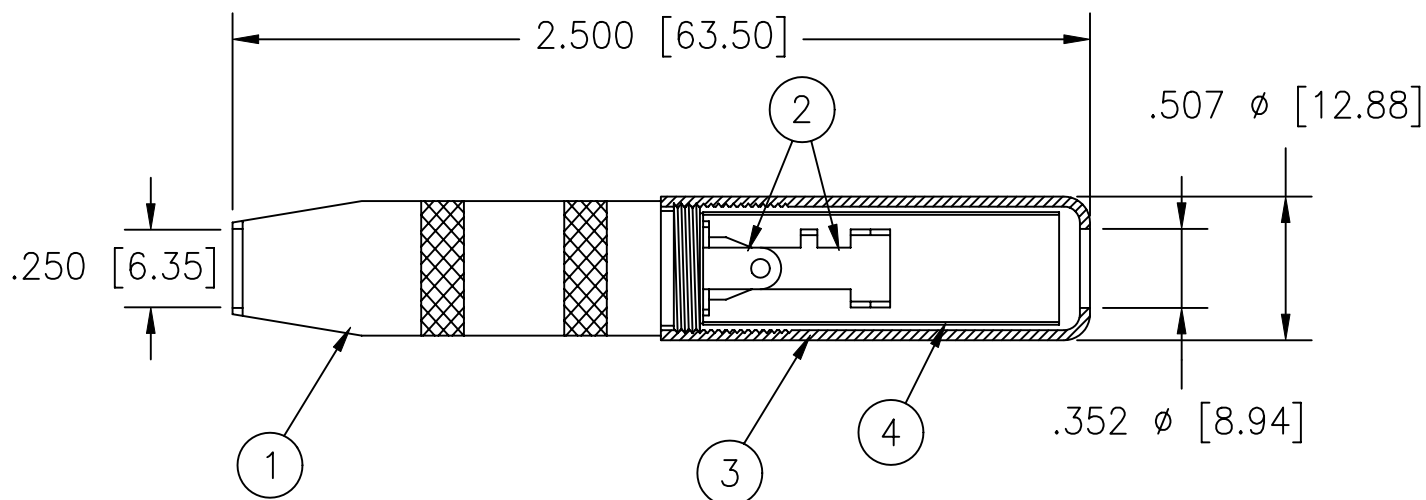


1

2

3

4

COMPONENT  
SPECIFICATIONUSE OR REPRODUCTION OF THIS DRAWING FOR THE PURPOSE OF MANUFACTURING THIS  
ARTICLE OR ANY ARTICLES SHOWN FOR ANY PURPOSE IS STRICTLY PROHIBITED WITHOUT  
WRITTEN PERMISSION FROM SENIOR INDUSTRIES, INC.

ITEM	DESCRIPTION	QTY	MATERIAL/FINISH
1	BODY	1	BRASS, NICKEL PLATED
2	2 CONDUCTOR PHONE JACK	2	BRASS, TIN PLATED
3	CAP	1	BRASS, NICKEL PLATED
4	INSULATOR (SI-287-2)	1	PVC, CLEAR

DESIGNED:

SYM.

DATE:

DESCRIPTION OF REVISIONS:

DRAWN

APPD.

DRAWN:

RB

11/20/02

▲

11.20.02

NEW

RB

JF

CHECKED:

GAT

09/22/09

▲

09.22.09

Separated SI-567 into SI-567-1 phone jack &amp; SI-287-2 insul.

GAT

JF

APPROVED:

JF

09/22/09

▲

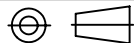
. . .

. . .

MAW

JF

3RD ANGLE



UNIT:

IN[mm]

SCALE:

REV.

C


**SENIOR  
INDUSTRIES, INC.**

TOLERANCE:

TO 1 DECIMAL PLACE: ±.3

TO 2 DECIMAL PLACES: ±.2

AS ANGLES: ±1/2°

SHEET:

PART NO:

SI-567

TITLE:

1/4" PHONE JACK CABLE  
MOUNT W/INSULATOR

1 OF 1