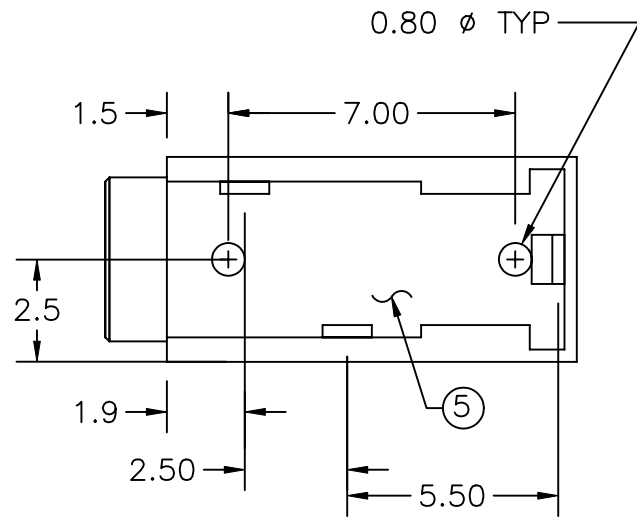
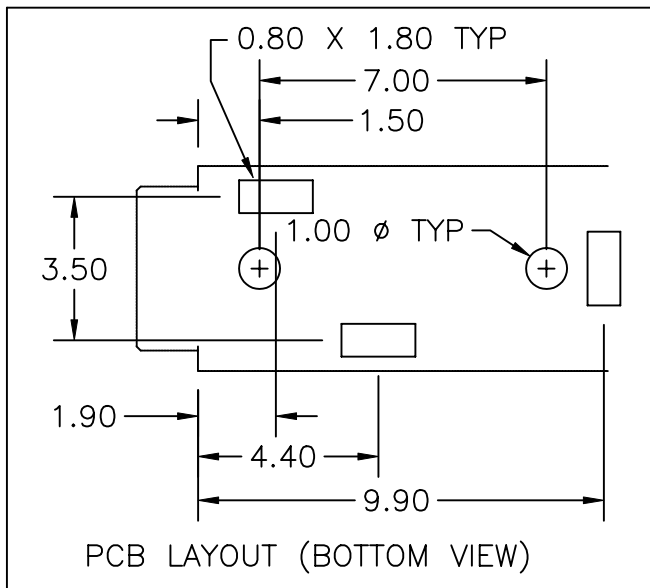
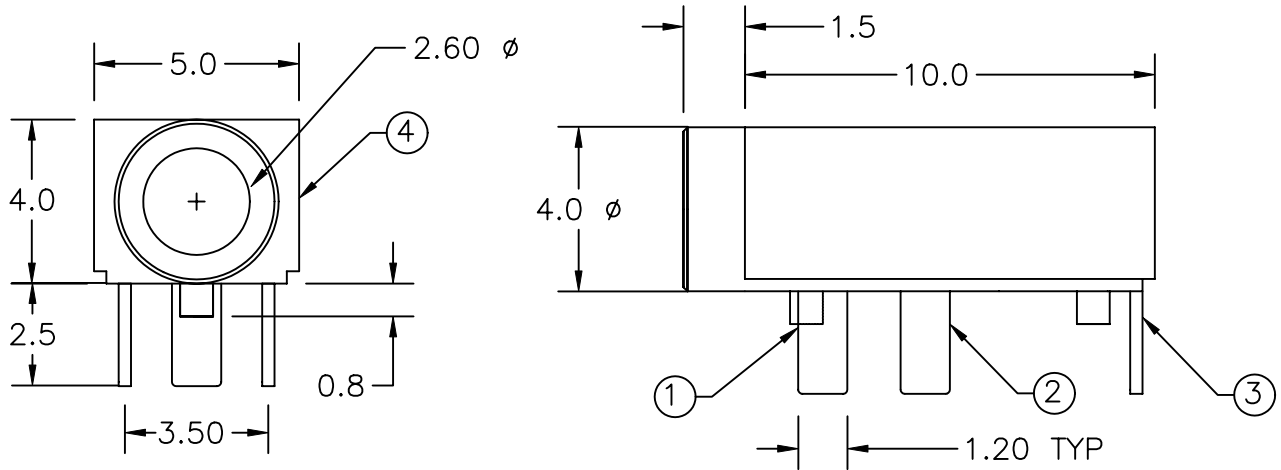


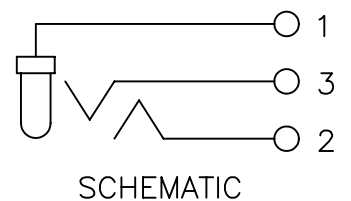
UNLESS OTHERWISE SPECIFIED, ALL DIMENSIONS ARE IN METRIC.

TO 1 DECIMAL PLACE ±.3
 TO 2 DECIMAL PLACES ±.13
 AS ANGLES ±1/2°

ISSUE	DATE
A	03/23/97
B	08/29/00



ITEM	DESCRIPTION	QTY	MATERIAL/FINISH
5	COVER	1	NYLON, BLACK
4	HOUSING	1	NYLON, BLACK
3	TIP SPRING	1	PHOSPHOR BRONZE - SILVER PLATED
2	RING SPRING	1	PHOSPHOR BRONZE - SILVER PLATED
1	SLEEVE TERMINAL	1	PHOSPHOR BRONZE - SILVER PLATED



TITLE: AUDIO JACK		PART NO: SI-573	
DATE: 03/19/97	DRAWN: HV	CHKD:	SCALE: 5/1
		SHEET: 1 OF 2	

UNLESS OTHERWISE SPECIFIED, ALL DIMENSIONS ARE IN METRIC.

TO 1 DECIMAL PLACE ±.3
TO 2 DECIMAL PLACES ±.13
AS ANGLES ± 1/2°

ISSUE	DATE
A	03/23/97
B	08/29/00

SPECIFICATIONS

ELECTRICAL

CONTACT RESISTANCE: 30 MILLIOHMS MAX.
INSULATION RESISTANCE: 100 MEGOHMS MIN. AT 500 VDC
DIELECTRIC STRENGTH: 500 VAC FOR 1 MINUTE

MECHANICAL

INSERTION FORCE: 0.3 TO 2.0 Kg
WITHDRAWAL FORCE: 0.3 TO 2.0 Kg
OPERATING LIFE: 5000 CYCLES



TITLE: AUDIO JACK		PART NO: SI-573		
DATE: 03/19/97	DRAWN: HV	CHKD:	SCALE: N/A	SHEET: 2 OF 2