

1

2

3

4

COMPONENT SPECIFICATION

USE OR REPRODUCTION OF THIS DRAWING FOR THE PURPOSE OF MANUFACTURING THIS ARTICLE OR ANY ARTICLES SHOWN FOR ANY PURPOSE IS STRICTLY PROHIBITED WITHOUT WRITTEN PERMISSION FROM SENIOR INDUSTRIES, INC.

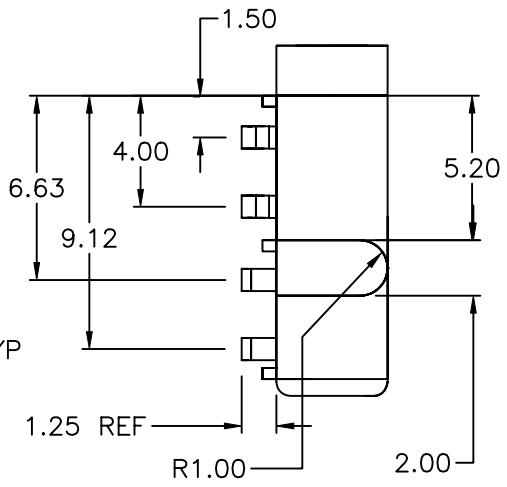
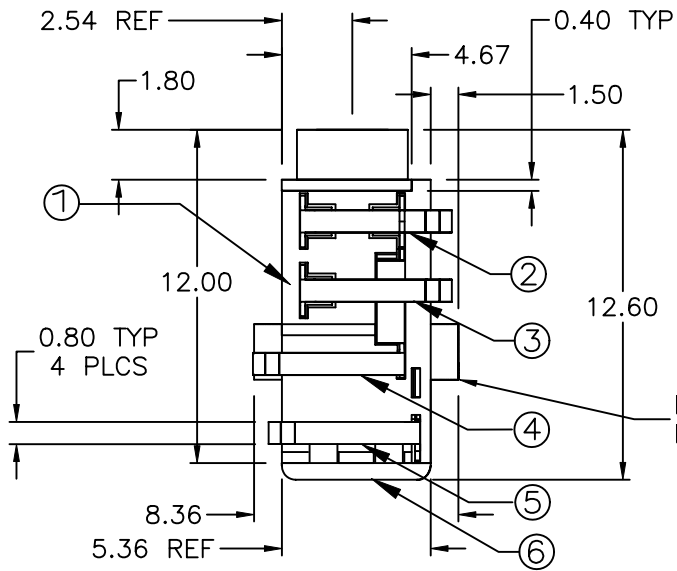
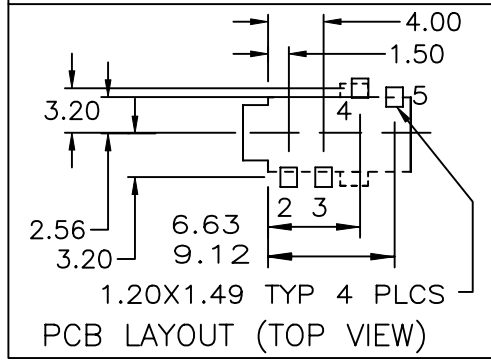
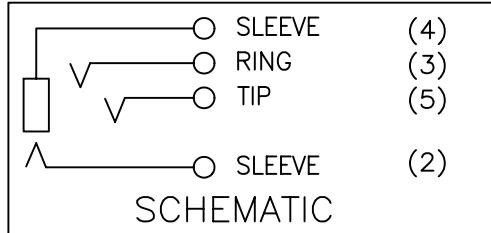
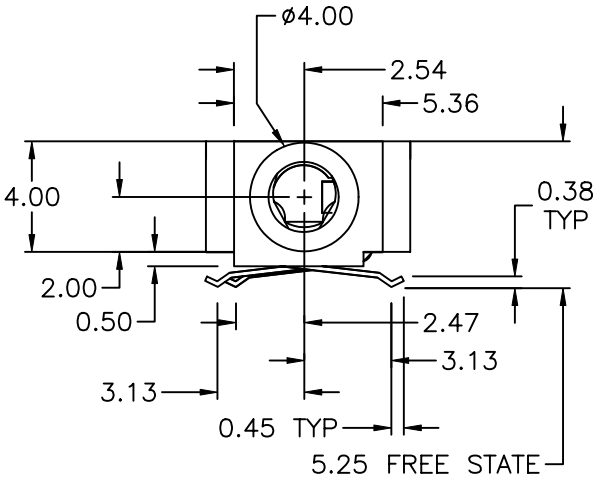
A

B

C

D

E



NOTE: WHEN COMPRESSED TERMINALS MUST PRODUCE 7-50 GRAMS OF PRESSURE

6	COVER	1	PBT WITH GLASS, BLACK
5	TIP SPRING	1	.20MM BeCu ALLOY, 3-10µIN GOLD OVER NICKEL
4	SLEEVE SPRING	1	.20MM BeCu ALLOY, 3-10µIN GOLD OVER NICKEL
3	RING SPRING	1	.20MM BeCu ALLOY, 3-10µIN GOLD OVER NICKEL
2	SLEEVE TERMINAL	1	.20MM BeCu ALLOY, 3-10µIN GOLD OVER NICKEL
1	HOUSING	1	PBT WITH GLASS, BLACK
ITEM	DESCRIPTION	QTY	MATERIAL/FINISH

DESIGNED:			SYM.	DATE:	DESCRIPTION OF REVISIONS:	DRAWN:	APPD.
DRAWN:	HV	09/20/99	△	07.10.00	Ch wings width fr 1 to 1.50 & overall from 7.36 to 8.36, R0.10	RB	
CHECKED:			△	01.01.01	Removed Contact Retention Force, Solderability, Reflow solder notes	RB	
APPROVED:			△	11.01.04	New Index, added on 5,4,3,2 '3-10microIN' Au over Ni instead Ag	GAT	
			△	04.01.05	Ched reflow solder Temp. to 260°C for 20-40 sec.	GAT	
			△	04.12.05	Removed Solderability spec	GAT	

3RD ANGLE UNIT: mm SCALE: 4:1 REV. F



TOLERANCE:	PART NO:
TO 1 DECIMAL PLACE: ±.2	SI-578
TO 2 DECIMAL PLACES: ±.13	TITLE:
AS ANGLES: ±1/2°	AUDIO JACK
SHEET:	1 OF 2

COMPONENT
SPECIFICATIONUSE OR REPRODUCTION OF THIS DRAWING FOR THE PURPOSE OF MANUFACTURING THIS
ARTICLE OR ANY ARTICLES SHOWN FOR ANY PURPOSE IS STRICTLY PROHIBITED WITHOUT
WRITTEN PERMISSION FROM SENIOR INDUSTRIES, INC.SPECIFICATIONSELECTRICAL

CONTACT RATING: 1A AT 12 VDC
 CONTACT RESISTANCE: 30 MILLIOHMS MAX.
 INSULATION RESISTANCE: 100 MEGOHMS MIN. AT 500 VDC
 DIELECTRIC STRENGTH: 500 VRMS FOR 1 MINUTE

MECHANICAL

INSERTION FORCE: 300-3,000 GRAMS
 WITHDRAWAL FORCE: 300-3,000 GRAMS
 OPERATING LIFE: 6,000 CYCLES
 CONTACT RETENTION FORCE: 80 GRAMS
 CONTACT PLATING: 3 TO 10 μIN. GOLD OVER 50 TO 100 μIN.
 NICKEL

ENVIRONMENTAL

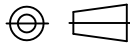
STORAGE TEMPERATURE RANGE: -40°C TO +100°C
 OPERATING TEMPERATURE RANGE: -40°C TO +85°C

QUALIFICATION REQUIREMENTS

TEMPERATURE SHOCK: -40° C TO +85° C, 32 CYCLES, 30
 MINUTES DWELL, 20 SEC. MAX. TRANSITION
 STATIC HUMIDITY: 70°C , 90 TO 95% RH FOR 240 HOURS
 VIBRATION:
 RANDOM: 6 G'S, 10-2000 Hz, 0.04G² /Hz, 15 MINUTES
 PER PLANE, MAX. OF 1 MICROSECOND DISCONTINUITY
 SINUSOIDAL: 15 G'S, 10-60 Hz, 30 MINUTES PER PLANE,
 MAX. OF 1 MICROSECOND DISCONTINUITY
 MECHANICAL SHOCK: 3000 G'S, 1/2 SINE PULSE, .3 MILLI-
 SECONDS, 3 SHOCKS PER PLANE (18 SHOCKS TOTAL), MAX.
 OF 1 MICROSECOND DISCONTINUITY

DESIGNED:			SYM.	DATE:	DESCRIPTION OF REVISIONS:	DRAWN:	APPD.
DRAWN:	HV	09/20/99	△	07.10.00	Ch wings width fr 1 to 1.50 & overall from 7.36 to 8.36, R0.10	RB	
CHECKED:			△	01.01.01	Removed Contact Retention Force,Solderability,Reflow solder notes	RB	
APPROVED:			△	11.01.04	New Index, added on 5,4,3,2 '3-10microIN' Au over Ni instead Ag	GAT	
			△	04.01.05	Ched reflow solder Temp. to 260°C for 20-40 sec.	GAT	
			△	04.12.05	Removed Solderability spec	GAT	

3RD ANGLE



UNIT:

mm

SCALE:

REV.

F


**SENIOR
INDUSTRIES, INC.**

TOLERANCE:

TO 1 DECIMAL PLACE: ±

TO 2 DECIMAL PLACES: ±

AS ANGLES: ±

SHEET:

PART NO:

SI-578

TITLE:

AUDIO JACK

2 OF 2