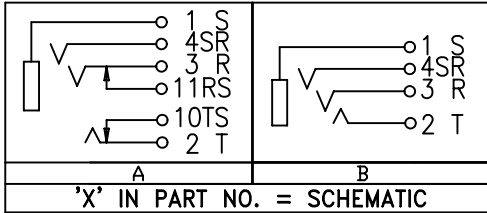
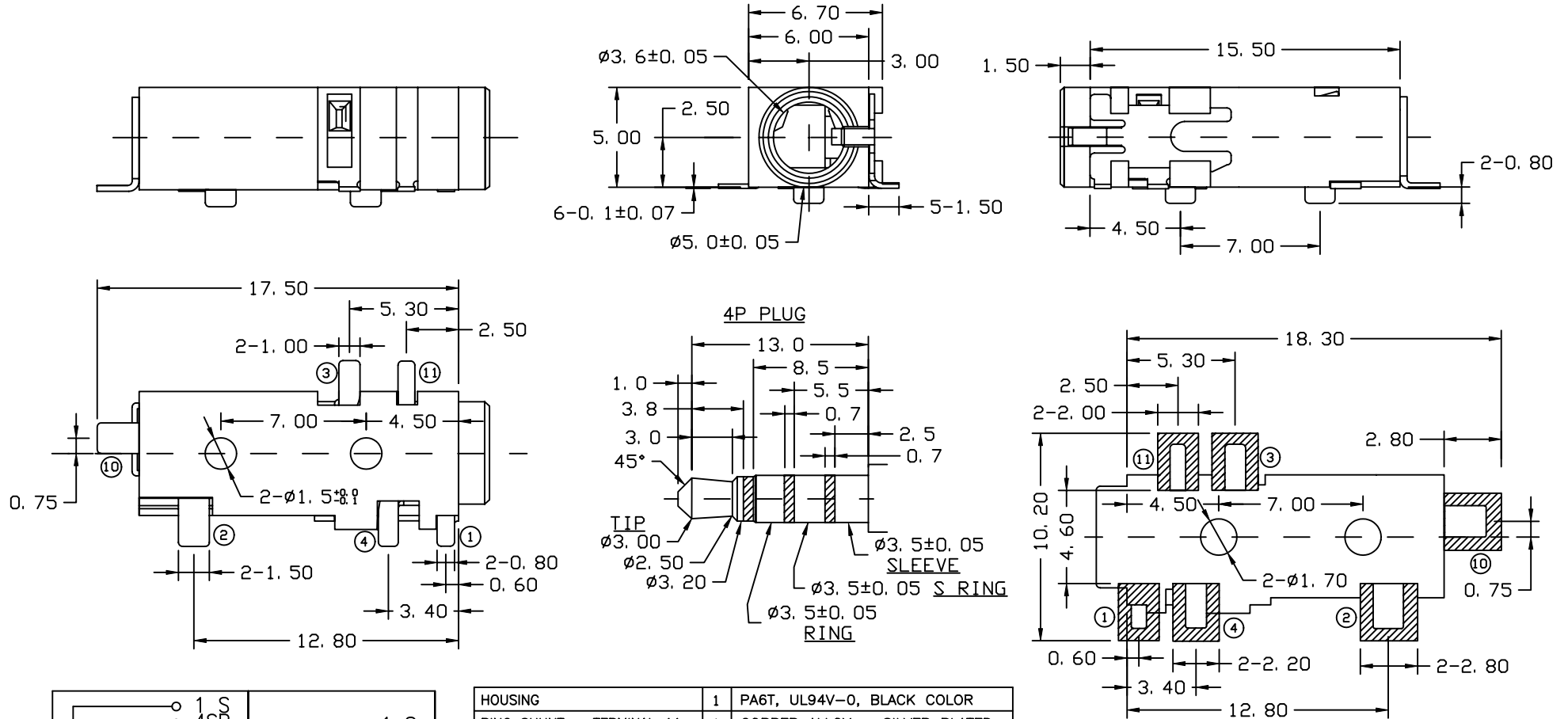


COMPONENT SPECIFICATION

USE OR REPRODUCTION OF THIS DRAWING FOR THE PURPOSE OF MANUFACTURING THIS ARTICLE OR ANY ARTICLES SHOWN FOR ANY PURPOSE IS STRICTLY PROHIBITED WITHOUT WRITTEN PERMISSION FROM SENIOR INDUSTRIES, INC.



HOUSING	1	PA6T, UL94V-0, BLACK COLOR
RING SHUNT - TERMINAL 11	1	COPPER ALLOY - SILVER PLATED
TIP SHUNT - TERMINAL 10	1	BRASS - SILVER PLATED
RING SPRING II - TERMINAL 4	1	COPPER ALLOY - SILVER PLATED
RING SPRING I - TERMINAL 3	1	COPPER ALLOY - SILVER PLATED
TIP SPRING - TERMINAL 2	1	COPPER ALLOY - SILVER PLATED
SLEEVE SPRING - TERMINAL 1	1	COPPER ALLOY - SILVER PLATED
DESCRIPTION	QTY	MATERIAL/FINISH

RECOMMENDED SOLDER PAD LAYOUT

RoHS COMPLIANT



SENIOR INDUSTRIES, INC.

DESIGNED:		SYM.	DATE:	DESCRIPTION OF REVISIONS:	DRAWN:	APPD:	TOLERANCE:	PART NO:	SI-581W-X
DRAWN:	GAT 10/18/07	▲	11.07.07	NEW	GAT	JF	TO 1 DECIMAL PLACE: ±.3	TITLE:	ø3.5mm SMT AUDIO JACK
CHECKED:	GAT 11/07/07	▲	.	.			TO 2 DECIMAL PLACES: ±.13	SHEET:	1 OF 2
APPROVED:	JF 11/07/07	▲	.	.			AS ANGLES: ±1/2°		
3RD ANGLE		UNIT:	mm	SCALE:	3:1	REV:	A		

1

2

3

4

5

COMPONENT SPECIFICATION

USE OR REPRODUCTION OF THIS DRAWING FOR THE PURPOSE OF MANUFACTURING THIS ARTICLE OR ANY ARTICLES SHOWN FOR ANY PURPOSE IS STRICTLY PROHIBITED WITHOUT WRITTEN PERMISSION FROM SENIOR INDUSTRIES, INC.

SPECIFICATIONS

ELECTRICAL

CONTACT RATING: 0.3A AT 16 VDC
 CONTACT RESISTANCE:
 PLUG TO CONTACTS: 50 MILLIOHMS MAX.
 CONTACT TO SHUNT: 30 MILLIOHMS MAX.
 INSULATION RESISTANCE: 100 MEGOHMS MIN. @ 500 VDC
 DIELECTRIC STRENGTH: 500 VAC FOR 1 MINUTE

MECHANICAL

OPERATING LIFE: 5,000 CYCLES
 INSERTION FORCE: 400-3,000 GRAMS
 WITHDRAWAL FORCE: 400-3,000 GRAMS

ENVIRONMENTAL

OPERATING TEMPERATURE RANGE: -25°C TO +85°C

RoHS COMPLIANT



SENIOR INDUSTRIES, INC.

DESIGNED:			SYM.	DATE:	DESCRIPTION OF REVISIONS:	DRAWN:	APPD:	TOLERANCE:	PART NO:	SI-581W-X		
DRAWN:	GAT	10/18/07	▲	11.07.07	NEW	GAT	JF					
CHECKED:	GAT	11/07/07	▲	.	.			TO 1 DECIMAL PLACE: ±	TITLE:	ø3.5mm SMT AUDIO JACK		
APPROVED:	JF	11/07/07	▲	.	.			TO 2 DECIMAL PLACES: ±				
3RD ANGLE			UNIT:	mm	SCALE:	3:1	REV:	A	AS ANGLES:	±	SHEET:	2 OF 2