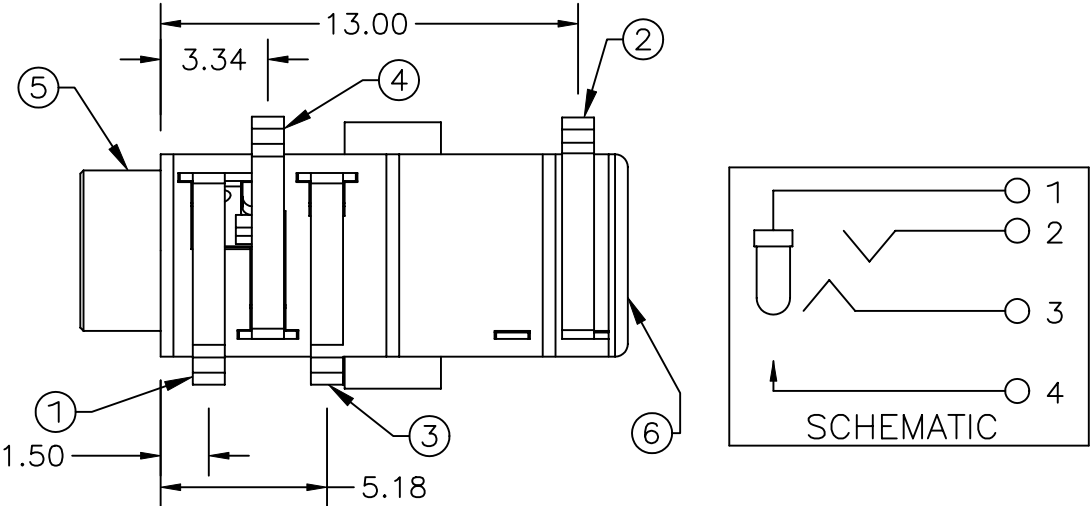
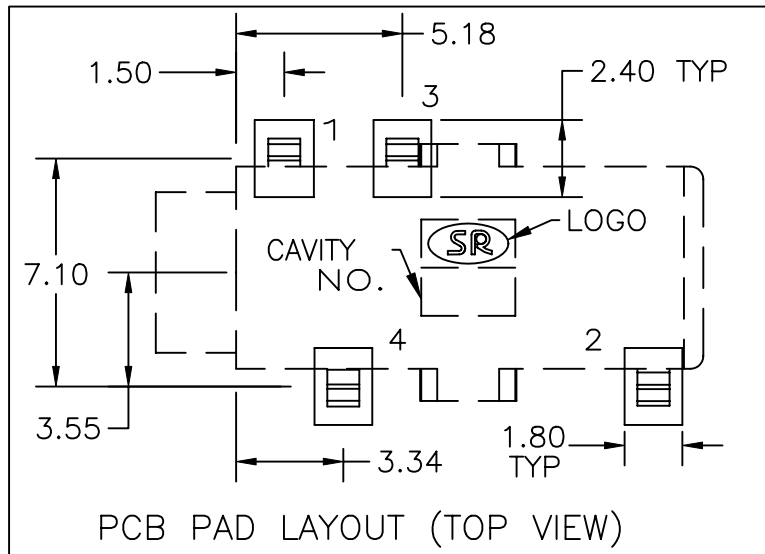
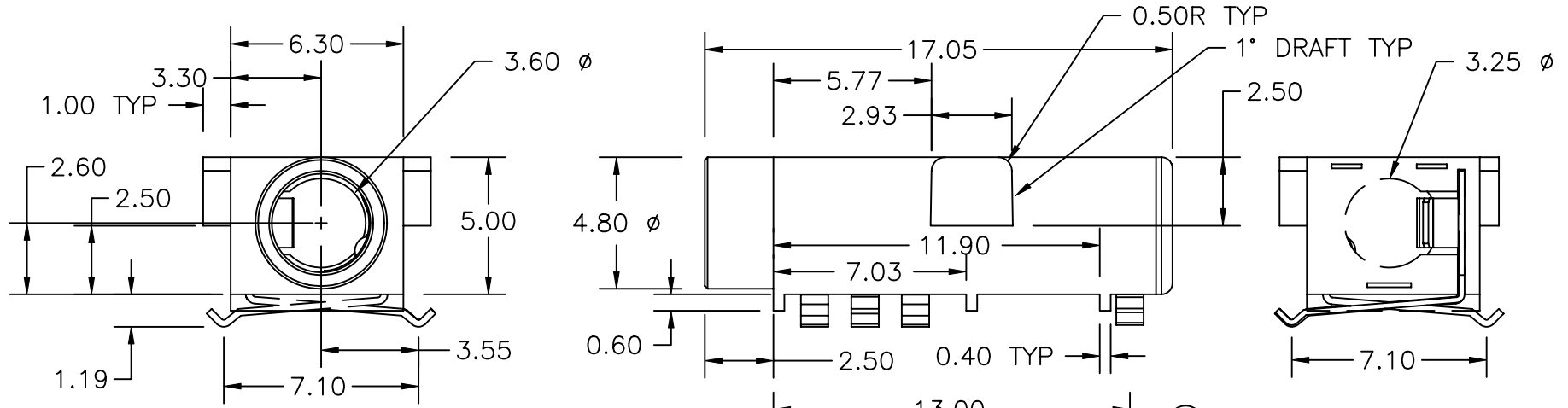


UNLESS OTHERWISE SPECIFIED, ALL DIMENSIONS ARE IN METRIC.

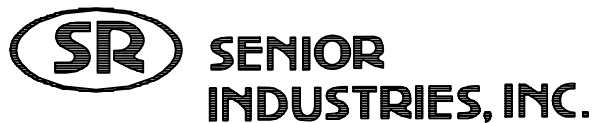
TO 1 DECIMAL PLACES ± .2
 TO 2 DECIMAL PLACES ± 0.10
 AS ANGLES ± 1/2°

ISSUE	DATE
B	01/03/03



NOTE: WHEN COMPRESSED, TERMINALS MUST PRODUCE 7-50 GRAMS OF PRESSURE

ITEM	DESCRIPTION	MATERIAL/FINISH
5	HOUSING	PBT WITH GLASS, BLACK
4	N.O. SLEEVE SHUNT	.2mm BeCu ALLOY, GOLD OVER NICKEL
3	RING SPRING	.2mm BeCu ALLOY, GOLD OVER NICKEL
2	TIP SPRING	.2mm BeCu ALLOY, GOLD OVER NICKEL
1	SLEEVE SPRING	.2mm BeCu ALLOY, GOLD OVER NICKEL



TITLE: 3.5MM COMPRESSION JACK		PART NO: SI-589	
DATE: 12/02/02	DRAWN: HV	CHKD:	SCALE: 4/1
		SHEET: 1 OF 2	

UNLESS OTHERWISE SPECIFIED, ALL DIMENSIONS ARE IN METRIC.

TO 1 DECIMAL PLACE ±
TO 2 DECIMAL PLACES ±
AS ANGLES ±

ISSUE	DATE
B	01/03/03

SPECIFICATIONS

ELECTRICAL

CONTACT RATING: 1A AT 12 VDC
CONTACT RESISTANCE: 30 MILLIOHMS MAX, OVER 5K CYCLES
INSULATION RESISTANCE: 100 MEGOHMS MIN. AT 500 VDC
DIELECTRIC STRENGTH: 500 VRMS FOR 1 MINUTE

MECHANICAL

INSERTION FORCE: 300–3,000 GRAMS, INITIAL
WITHDRAWAL FORCE: 300–3,000 GRAMS, INITIAL
OPERATING LIFE: 5,000 CYCLES
CONTACT PLATING: 3–10 MICROINCHES GOLD OVER
50–100 MICROINCHES NICKEL

ENVIRONMENTAL

STORAGE TEMPERATURE RANGE: -40°C TO +85°C
OPERATING TEMPERATURE RANGE: -40°C TO +85°C

QUALIFICATION REQUIREMENTS:

TEMPERATURE SHOCK: -40°C TO +85°C, 32 CYCLES, 30 MINUTES DWELL, 20 SEC. MAX. TRANSITION

STATIC HUMIDITY: 70°C, 90 TO 95% RH FOR 240 HOURS

VIBRATION:

RANDOM: 6 G'S, 10–2000 Hz, 0.04G /Hz, 15 MINUTES PER PLANE, MAX. OF 1 MICROSECOND DISCONTINUITY

SINUSOIDAL: 15 G'S, 10–60 Hz, 30 MINUTES PER PLANE, MAX. OF 1 MICROSECOND DISCONTINUITY

MECHANICAL SHOCK: 3000 G'S, 1/2 SINE PULSE, .3 MILLISECONDS, 3 SHOCKS PER PLANE (18 SHOCKS TOTAL), MAX. OF 1 MICROSECOND DISCONTINUITY



TITLE:	3.5MM COMPRESSION JACK			PART NO:		SI-589	
DATE:	12/02/02	DRAWN:	HV	CHKD:	SCALE:	SHEET:	
					N/A	2 OF 2	