

COMPONENT SPECIFICATION

USE OR REPRODUCTION OF THIS DRAWING FOR THE PURPOSE OF MANUFACTURING THIS ARTICLE OR ANY ARTICLES SHOWN FOR ANY PURPOSE IS STRICTLY PROHIBITED WITHOUT WRITTEN PERMISSION FROM SENIOR INDUSTRIES, INC.

SPECIFICATIONS:

MECHANICAL:

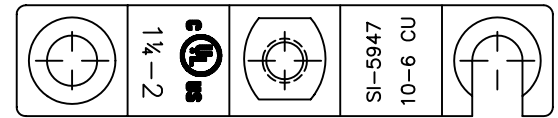
RANGE: #10-#6 AWG SOLID COPPER WIRE
 INSTALLATION TORQUE: APPROX. 35 IN-LBS MIN.
 AGENCY APPROVALS: UL/CUL FILE NO. E137532

MATERIAL:

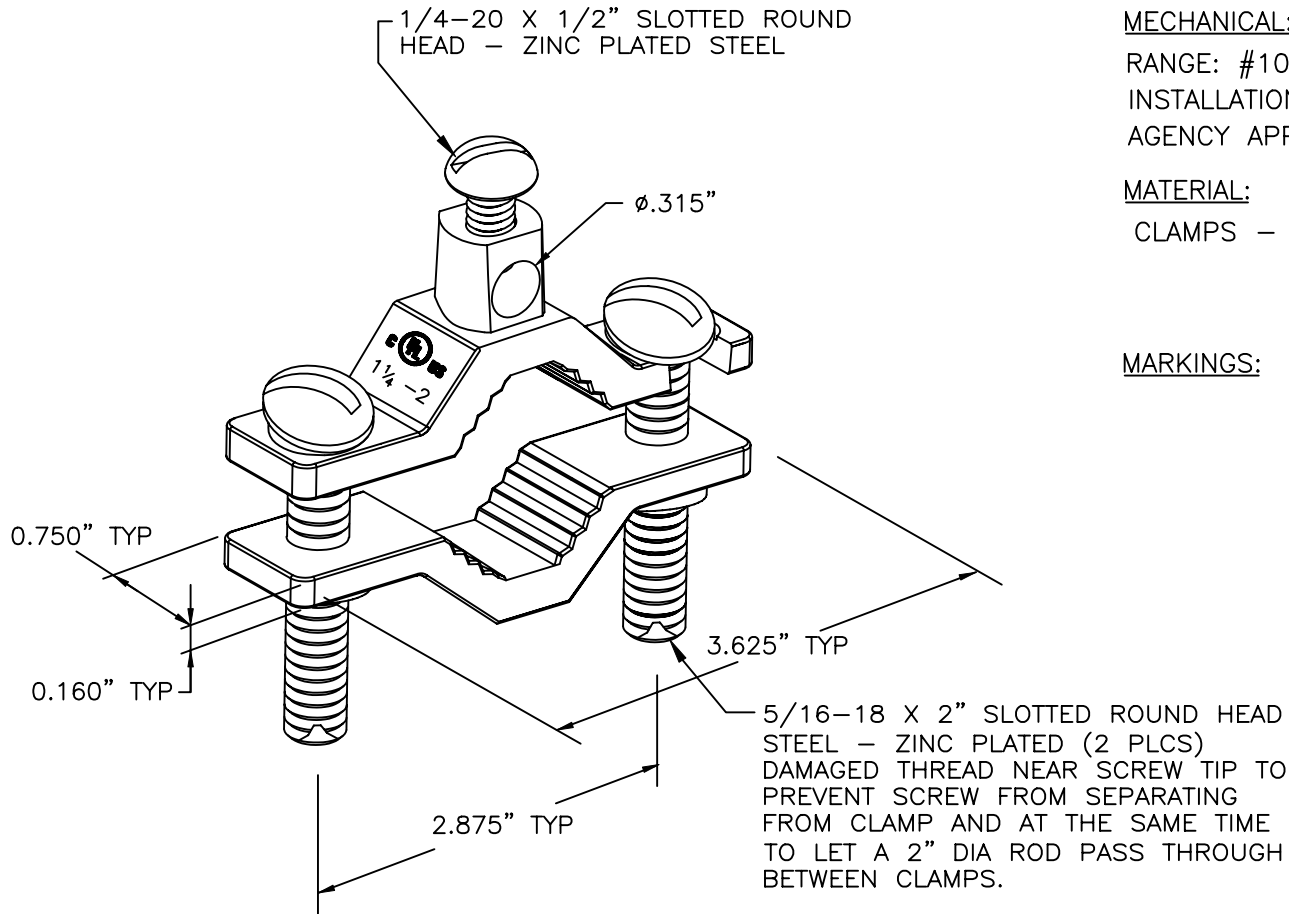
CLAMPS - COPPER ALLOY

MARKINGS:

TOP JAW:



LOWER JAW:



SENIOR INDUSTRIES, INC.

DESIGNED:			SYM.	DATE:	DESCRIPTION OF REVISIONS:	DRAWN:	APPD:
DRAWN:	GAT	11/20/07	▲	11.20.07	NEW	GAT	JF
CHECKED:	GAT	11/20/07	▲	.			
APPROVED:	JF	11/20/07	▲	.			

TOLERANCE:	PART NO:	SI-5947
TO 2 DECIMAL PLACE: ±	TITLE:	PIPE GROUND CLAMP (1.25"-2")
TO 3 DECIMAL PLACES: ±	SHEET:	1 OF 1

3RD ANGLE		UNIT:	inches	SCALE:		REV.	A
-----------	--	-------	--------	--------	--	------	---

AS ANGLES:	±
------------	---