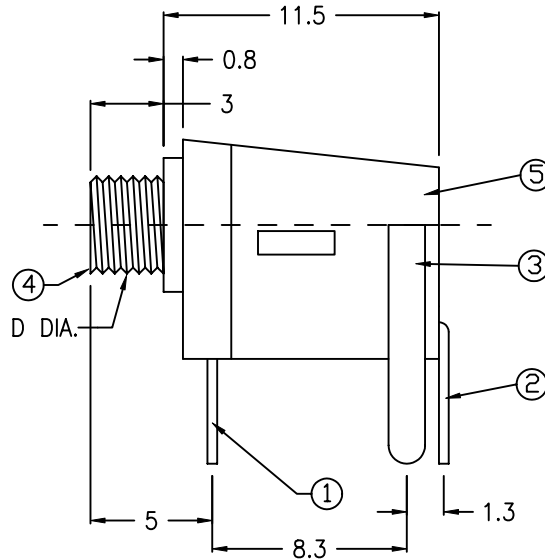
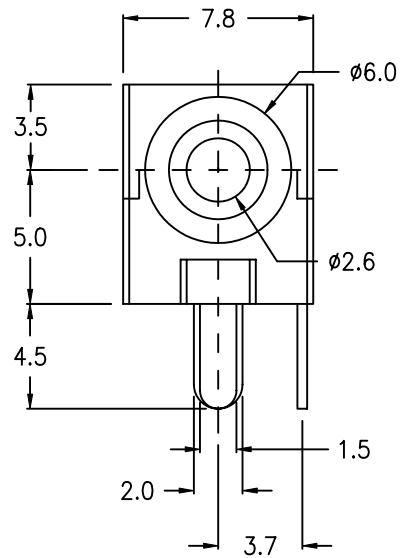


COMPONENT SPECIFICATION

USE OR REPRODUCTION OF THIS DRAWING FOR THE PURPOSE OF MANUFACTURING THIS ARTICLE OR ANY ARTICLES SHOWN FOR ANY PURPOSE IS STRICTLY PROHIBITED WITHOUT WRITTEN PERMISSION FROM SENIOR INDUSTRIES, INC.



SPECIFICATIONS:

ELECTRICAL:

CONTACT RATING: 1A @ 12VDC
 CONTACT RESISTANCE: 30 MILLIOHMS MAX.
 INSULATION RESISTANCE: 100 MEGOHMS MIN. @ 500VDC
 DIELECTRIC STRENGTH: 500 VAC FOR 1 MINUTE

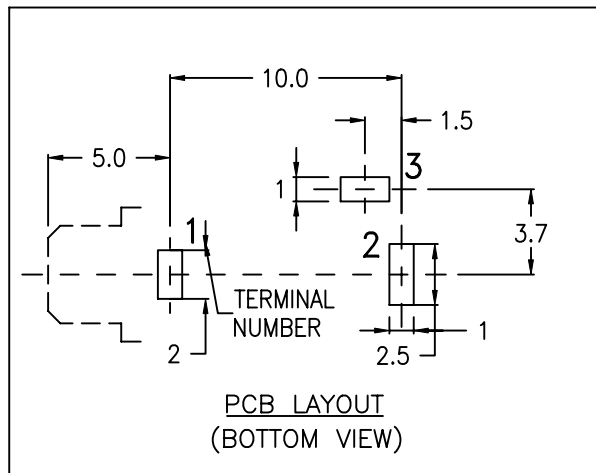
MECHANICAL

LIFE CYCLE: 5,000 CYCLES
 INSERTION FORCE: 0.3 Kg TO 2.0 Kg
 WITHDRAWAL FORCE: 0.3 Kg TO 2.0 Kg

ENVIRONMENTAL:

OPERATING TEMPERATURE: -25°C TO +85°C

D DIA.	THREADED
	M4X0.5
SCHEMATIC	



ITEM	NAME	Q'TY	MATERIAL	FINISH
⑤	HOUSING	1	POM, BLACK	
④	BUSHING	1	BRONZE STRIP - NICKEL PLATED	
③	TIP SHUNT	1	BRASS 0.4mm THICK - SILVER PLATED	
②	TIP SPRING	1	Ti-Cu Alloy 0.2mm THICK - SILVER PLATED	
①	SLEEVE	1	BRASS 0.4mm THICK - SILVER PLATED	



DESIGNED:		SYM.	DATE:	DESCRIPTION OF REVISIONS:	DRAWN:	APPD:	TOLERANCE:	PART NO:	SI-594
DRAWN:	GAT 04/06/05	△	04.06.05	NEW	GAT	JF			
CHECKED:	GAT 08/07/07	△	08.07.07	Replaced housing 5.5 dim with 5.0 mm	GAT	JF	TO 1 DECIMAL PLACE: ±.2	TITLE:	2.5mm AUDIO JACK-MONO
APPROVED:	JF 08/07/07	△					TO 2 DECIMAL PLACES:	SHEET:	1 OF 1
3RD ANGLE		UNIT:	mm [IN]	SCALE:	1:1	REV:	B	AS ANGLES:	