

COMPONENT SPECIFICATION

USE OR REPRODUCTION OF THIS DRAWING FOR THE PURPOSE OF MANUFACTURING THIS ARTICLE OR ANY ARTICLES SHOWN FOR ANY PURPOSE IS STRICTLY PROHIBITED WITHOUT WRITTEN PERMISSION FROM SENIOR INDUSTRIES, INC.

SPECIFICATIONS

ELECTRICAL

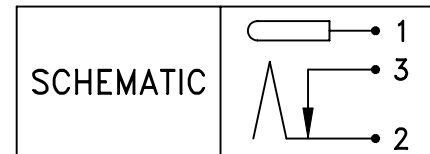
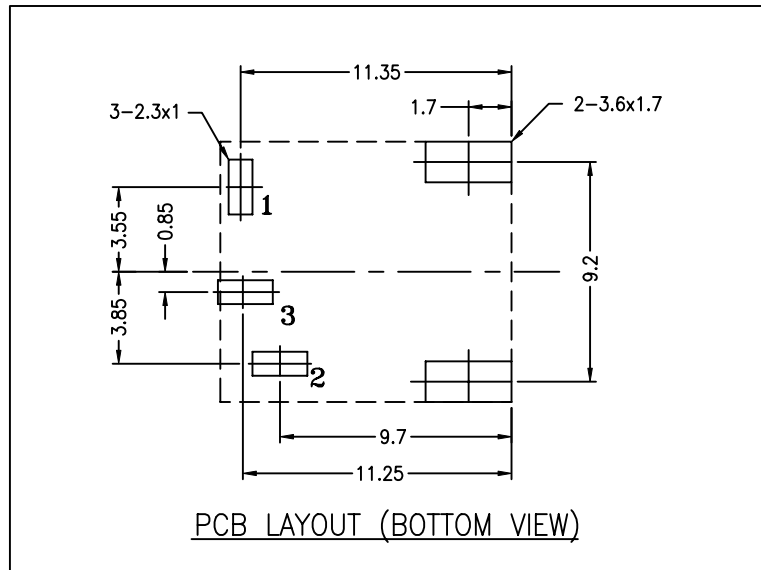
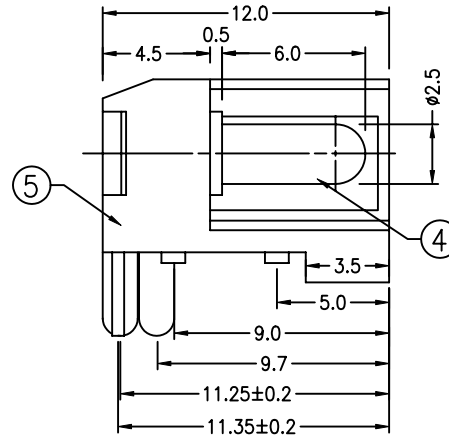
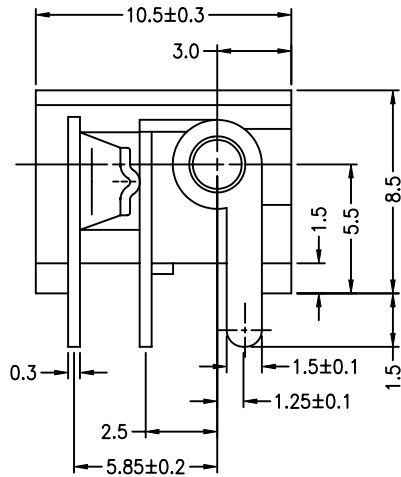
CONTACT RATING: 2.5A @ 16 VDC
 CONTACT RESISTANCE: 30 MILLIOHMS MAX.
 INSULATION RESISTANCE: 50 MEGOHMS MIN. @ 100 VDC
 DIELECTRIC STRENGTH: 250 VAC FOR 1 MINUTE

MECHANICAL

LIFE: 5,000 CYCLES

ENVIRONMENTAL

STORAGE TEMPERATURE: -40°C TO +85°C



| ITEM | NAME | Q'TY | MATERIAL | FINISH | NOTE |
|------|---------------|------|--|--------|------|
| 5 | HOUSING | 1 | PBT, BLACK | | |
| 4 | PIN (∅2.5mm) | 1 | BRASS - NICKEL PLATED | | |
| 3 | SLEEVE SHUNT | 1 | 0.30mm PHOSPHOR BRONZE - SILVER PLATED | | |
| 2 | SLEEVE SPRING | 1 | 0.25mm Cu ALLOY - SILVER PLATED | | |
| 1 | PIN TERMINAL | 1 | 0.30mm PHOSPHOR BRONZE - SILVER PLATED | | |



SENIOR INDUSTRIES, INC.

| | | | | | | | |
|-----------|-----|----------|--------|----------|---------------------------|--------|-------|
| DESIGNED: | | | SYMBOL | DATE: | DESCRIPTION OF REVISIONS: | DRAWN: | APPD: |
| DRAWN: | GAT | 04/26/05 | ▲ | 04.26.05 | NEW | GAT | |
| CHECKED: | | | ▲ | | | | |
| APPROVED: | | | ▲ | | | | |
| 3RD ANGLE | | UNIT: | mm | SCALE: | 4:1 | REV: | A |

| | | |
|---------------------------|----------|----------------------|
| TOLERANCE: | PART NO: | SI-678 |
| TO 1 DECIMAL PLACE: ±.2 | TITLE: | ∅2.5mm DC POWER JACK |
| TO 2 DECIMAL PLACES: ±.10 | SHEET: | 1 OF 1 |
| AS ANGLES: ±1/2° | | |