

1

2

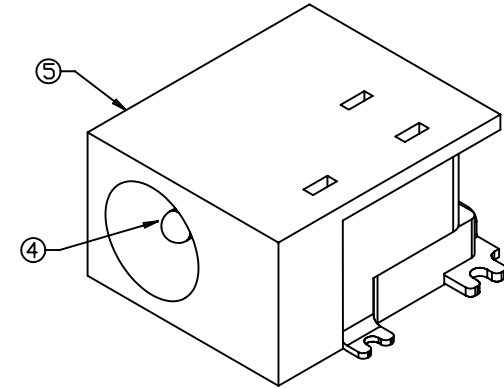
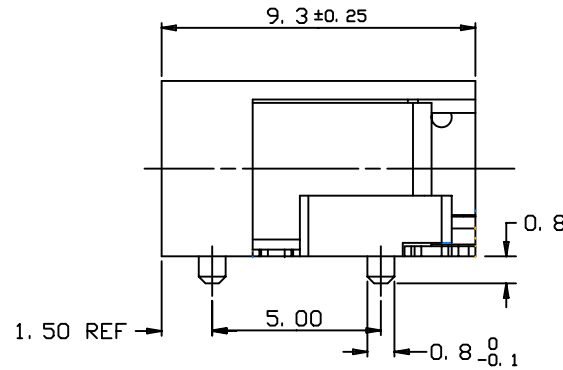
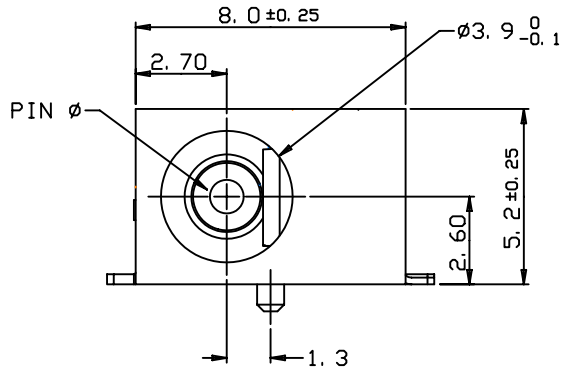
3

4

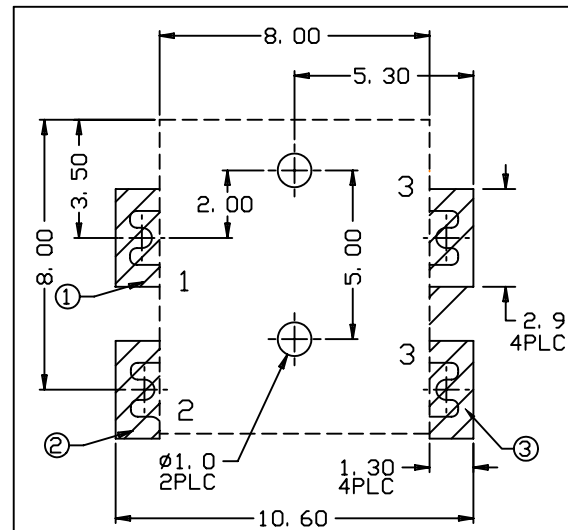
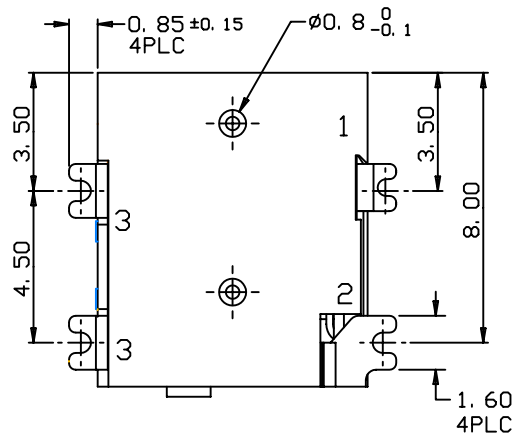
5

COMPONENT
SPECIFICATIONUSE OR REPRODUCTION OF THIS DRAWING FOR THE PURPOSE OF MANUFACTURING THIS
ARTICLE OR ANY ARTICLES SHOWN FOR ANY PURPOSE IS STRICTLY PROHIBITED WITHOUT
WRITTEN PERMISSION FROM SENIOR INDUSTRIES, INC.

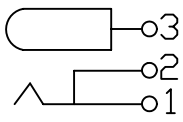
A



B

Recommended PAD Layout
[TOP VIEW]
NOTE : ±0.20 FOR PCB LAYOUT

SCHEMATIC



1st 'X' = PIN Ø	PIN Ø
A	1.0
B	1.3

PART NO.	2nd 'X' = PACKAGING
SI-681-A-SMD	TAPE REEL (800 PCS/REEL)
SI-681-A-SMD-1	BULK
SI-681-B-SMD	TAPE REEL (800 PCS/REEL)
SI-681-B-SMD-1	BULK

ITEM	NAME	Q'TY	MATERIAL FINISH
5	HOUSING	1	LCP, BLACK, UL94V-0
4	PIN(Ø1.0/Ø1.3mm)	1	COPPER - NICKEL PLATED
3	PIN TERMINAL	1	BRASS 0.30mm THICK - SILVER PLATED
2	SLEEVE SHUNT	1	BRASS 0.30mm THICK - SILVER PLATED
1	SLEEVE SPRING	1	Be-Cu Alloy 0.25mm THICK - SILVER PLATED

C

SENIOR
INDUSTRIES, INC.

DESIGNED:	DATE:	SYMBOL:	DESCRIPTION OF REVISIONS:	DRAWN:	APPD:
GAT	04/15/05	NEW		GAT	JF
GAT	09/22/05		Corr '-1' option from 'Tray' pack. to 'Bulk' pack.	GAT	JF
GAT	09/22/05				
JF	09/22/05				

TOLERANCE:

TO 1 DECIMAL PLACE: ±.2
TO 2 DECIMAL PLACES: ±.10

AS ANGLES: ±1/2°

PART NO:

SI-681-X-SMD-X

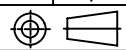
TITLE:

Ø1.0mm/Ø1.3mm
DC POWER JACK

SHEET:

1 OF 2

3RD ANGLE



UNIT:

mm

SCALE:

7:1

REV:

B

1

2

3

4

5

COMPONENT SPECIFICATION

USE OR REPRODUCTION OF THIS DRAWING FOR THE PURPOSE OF MANUFACTURING THIS ARTICLE OR ANY ARTICLES SHOWN FOR ANY PURPOSE IS STRICTLY PROHIBITED WITHOUT WRITTEN PERMISSION FROM SENIOR INDUSTRIES, INC.

SPECIFICATIONS:

ELECTRICAL:

CONTACT RATING: 3A @ 24 VDC
 CONTACT RESISTANCE: 50 MILLIOHMS MAX.
 INSULATION RESISTANCE: 100 MEGOHMS MIN. @ 500V DC
 DIELECTRIC STRENGTH: 500 VAC FOR 1 MINUTE.

MECHANICAL

LIFE CYCLE: 5,000 CYCLES
 INSERTION FORCE: 0.3 Kg TO 2.0 Kg
 WITHDRAWAL FORCE: 0.3 Kg TO 2.0 Kg

ENVIRONMENTAL:

OPERATING TEMPERATURE: -25°C TO +85°C

PACKAGING:

TAPE WIDTH: 24mm
 TAPE PITCH: 12mm
 REEL SIZE: 380mm



SENIOR INDUSTRIES, INC.

DESIGNED:			SYM.	DATE:	DESCRIPTION OF REVISIONS:	DRAWN:	APPD:	TOLERANCE:	PART NO:	SI-681-X-SMD-X
DRAWN:	GAT	04/15/05	▲	04.15.05	NEW	GAT	JF			
CHECKED:	GAT	09/22/05	▲	09.22.05	Corr '-1' option from 'Tray' pack. to 'Bulk' pack.	GAT	JF	TO 1 DECIMAL PLACE: ±	TITLE:	ø1.0mm/ø1.3mm DC POWER JACK
APPROVED:	JF	09/22/05	▲	.	.			TO 2 DECIMAL PLACES: ±		
3RD ANGLE		UNIT:	mm	SCALE:		REV:	B	AS ANGLES: ±	SHEET:	2 OF 2