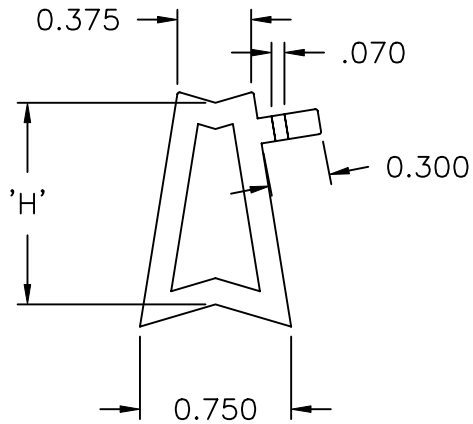
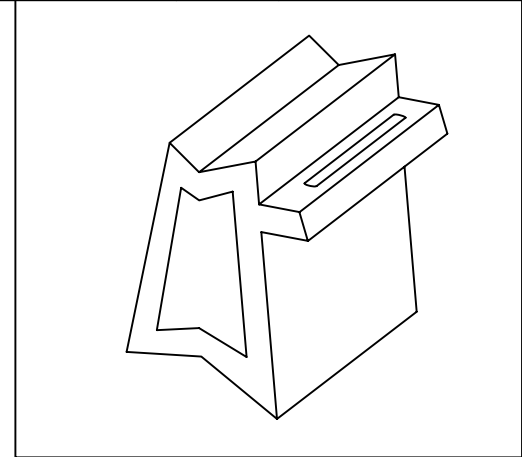
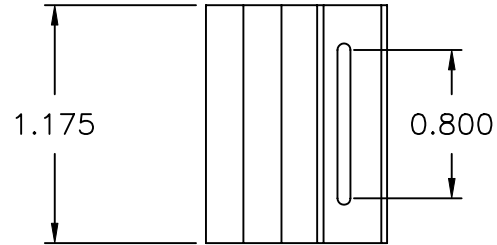


UNLESS OTHERWISE SPECIFIED, ALL DIMENSIONS ARE IN INCHES.

TO 2 DECIMAL PLACE ±
 TO 3 DECIMAL PLACES ±
 AS ANGLES ±

ISSUE	DATE
A	08/09/00



XXX	'H' DIMENSION
025	0.250 INCHES
050	0.500 INCHES
075	0.750 INCHES
100	1.000 INCHES
125	1.250 INCHES
150	1.500 INCHES
175	1.750 INCHES
200	2.000 INCHES
225	2.250 INCHES
250	2.500 INCHES
275	2.750 INCHES
300	3.000 INCHES
325	3.250 INCHES

NOTES:

- 'XXX' IN PART NUMBER DENOTES SPACER HEIGHT.
- MATERIAL: HIGH DENSITY POLYETHYLENE
- MAINTAIN PART WALL THICKNESS AT 0.125".



TITLE: CABLE SPACER		PART NO: SI-7512-XXX		
DATE: 08/09/00	DRAWN: RB	CHKD: JF	SCALE: 1/1	SHEET: 1 OF 1