

| | | | | |
|-------------------------|--|---|---|---|
| 1 | 2 | 3 | 4 | 5 |
| COMPONENT SPECIFICATION | USE OR REPRODUCTION OF THIS DRAWING FOR THE PURPOSE OF MANUFACTURING THIS ARTICLE OR ANY ARTICLES SHOWN FOR ANY PURPOSE IS STRICTLY PROHIBITED WITHOUT WRITTEN PERMISSION FROM SENIOR INDUSTRIES, INC. | | | |

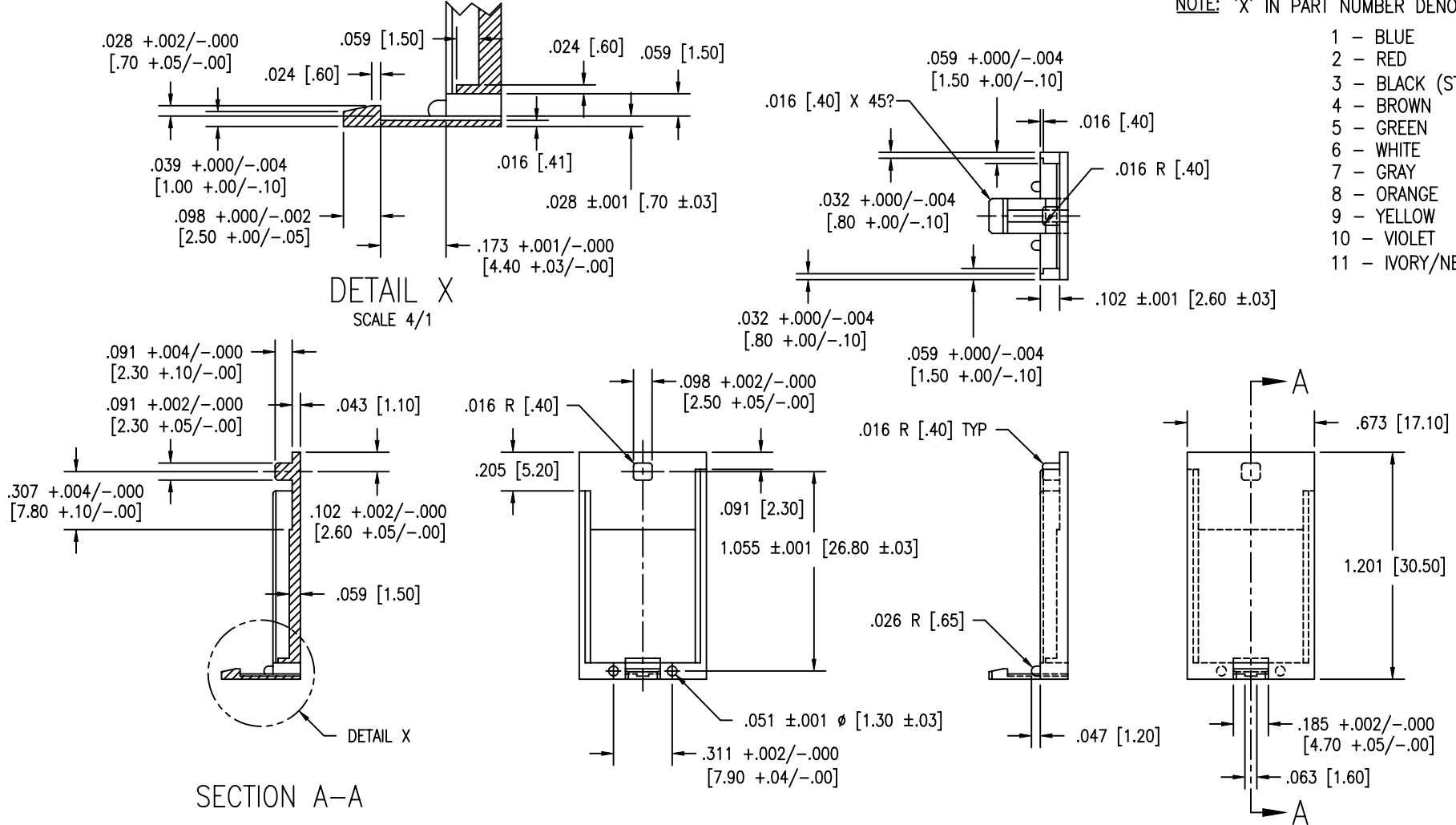
NOTE: 'X' IN PART NUMBER DENOTES COLOR:

- 1 - BLUE
- 2 - RED
- 3 - BLACK (STD)
- 4 - BROWN
- 5 - GREEN
- 6 - WHITE
- 7 - GRAY
- 8 - ORANGE
- 9 - YELLOW
- 10 - VIOLET
- 11 - IVORY/NEUTRAL

A

B

C



MATERIAL: PBT, 10% GLASS, UL94V-0



| | | | | | | | | | | | | | |
|-----------|-----|----------|------|----------|---|--------|-------|----------------------------------|----------|-----------|------------------------|--------|------------------------|
| DESIGNED: | | | SYM. | DATE: | DESCRIPTION OF REVISIONS: | DRAWN: | APPD: | TOLERANCE: | PART NO: | SI-BJDC-X | | | |
| DRAWN: | GAM | 07/23/92 | ▲ | 09.11.92 | NEW | JF | JF | | | | TO 2 DECIMAL PLACES: ± | TITLE: | DUAL BANTAM JACK COVER |
| CHECKED: | GAT | 09/21/05 | ▲ | 02.21.96 | PN corr. Updated material/finish | JF | JF | TO 3 DECIMAL PLACES: ±.012 [.30] | SHEET: | 1 OF 1 | | | |
| APPROVED: | JF | 09/21/05 | ▲ | 09.21.05 | 'X' = Colors options for cover. New Indicator | GAT | JF | | | | AS ANGLES: ± ° | | |
| 3RD ANGLE | | UNIT: | | IN[mm] | | SCALE: | | 2:1 | | REV: | | C | |