

1

2

3

4

COMPONENT SPECIFICATION

USE OR REPRODUCTION OF THIS DRAWING FOR THE PURPOSE OF MANUFACTURING THIS ARTICLE OR ANY ARTICLES SHOWN FOR ANY PURPOSE IS STRICTLY PROHIBITED WITHOUT WRITTEN PERMISSION FROM SENIOR INDUSTRIES, INC.

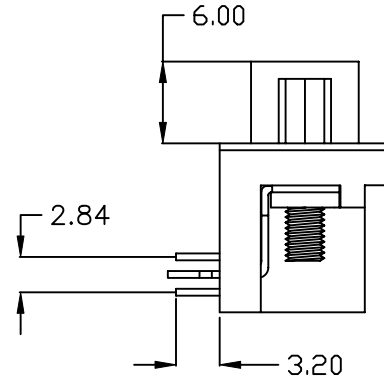
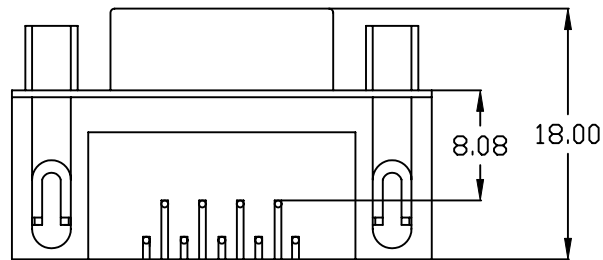
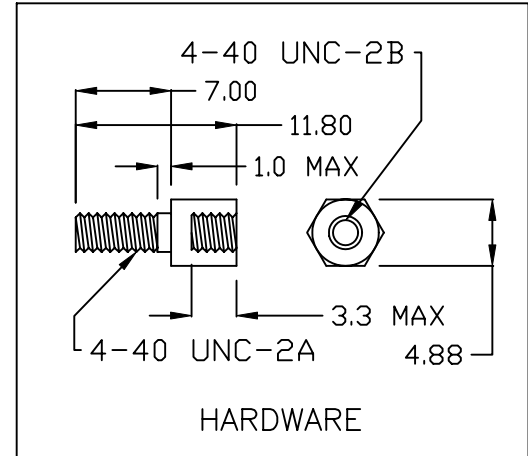
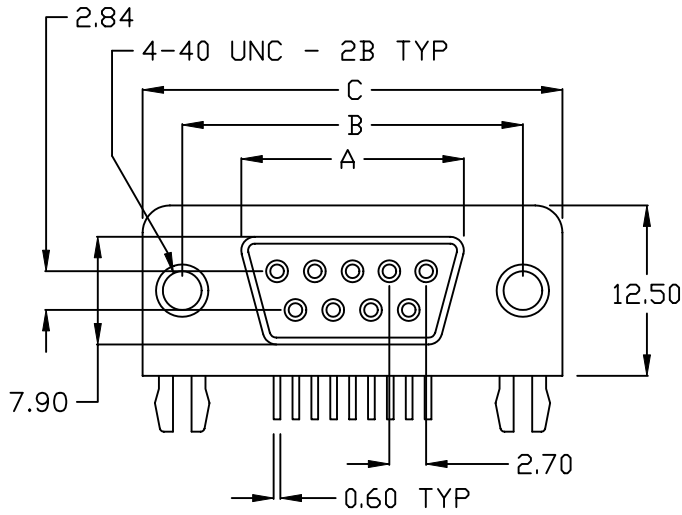
A

B

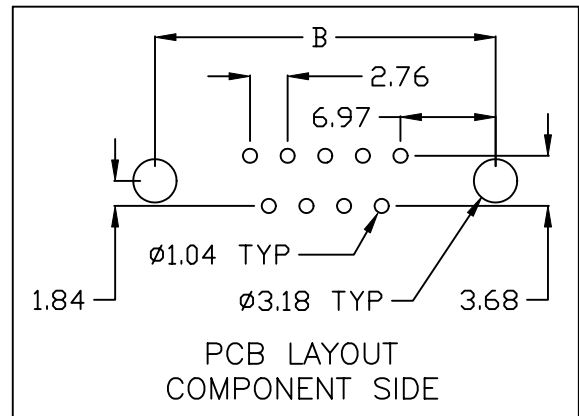
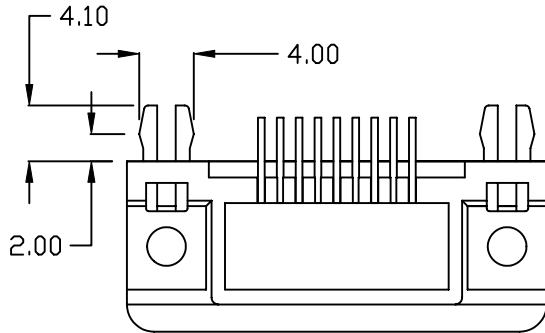
C

D

E



SI-DSUB-110-9 SHOWN



X	A	B	C
9	16.3	25.0	30.8
15	24.6	33.3	39.2
25	38.3	47.1	53.1
37	54.8	63.5	69.4

DESIGNED:

RB 11/14/01

SYM.

DATE

DESCRIPTION OF REVISIONS

DRAWN

APPD.

DRAWN:

GAT 06/12/06

DATE

DATE

NEW

GAT

TF

CHECKED:

JF 06/12/06

DATE

DATE

Corr Material/Spec Info. 'Component Side' added.

GAT

JF

APPROVED:

JF 06/12/06

DATE

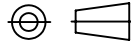
DATE

Added X options & PN corrected to SI-DSUB-110-X

GAT

JF

3RD ANGLE



UNIT:

mm

SCALE:

2:1

REV.

B



SENIOR INDUSTRIES, INC.

TOLERANCE:

TO 1 DECIMAL PLACE: ± .3

TO 2 DECIMAL PLACES: ± .12

AS ANGLES: ± 1/2°

SHEET:

PART NO:

SI-DSUB-110-X

TITLE:

D SUB CONNECTOR (FEMALE)

1 OF 2

1

2

3

4

COMPONENT  
SPECIFICATIONUSE OR REPRODUCTION OF THIS DRAWING FOR THE PURPOSE OF MANUFACTURING THIS  
ARTICLE OR ANY ARTICLES SHOWN FOR ANY PURPOSE IS STRICTLY PROHIBITED WITHOUT  
WRITTEN PERMISSION FROM SENIOR INDUSTRIES, INC.SPECIFICATIONS:ELECTRICAL:

CONTACT RATING: 2A MAX.  
 CONTACT RESISTANCE: 20 MILLIOHMS MAX.  
 INSULATION RESISTANCE: 1000 MEGAOHMS MIN. @ 500 VDC  
 DIELECTRIC STRENGTH: 10000 VAC RMS FOR 1 MINUTE

MATERIAL:

SHELL: STEEL, NICKEL PLATED  
 INSULATOR: PBT WITH 25% GLASS FIBER, UL94V-0  
 CONTACT: PHOSPHOR BRONZE, GOLD OVER NICKEL  
 TERMINAL: PHOSPHOR BRONZE, TIN OVER NICKEL  
 BOARD LOCK: BRASS, NICKEL PLATED  
 THREADED INSERT: BRASS, NICKEL PLATED

ENVIRONMENTAL:

OPERATING TEMPERATURE: -55°C TO +105°C

DESIGNED:

RB

11/14/01

SYM.

DATE

DESCRIPTION OF REVISIONS

DRAWN

APPD.

▲

09.28.04

NEW

GAT

TF

DRAWN:

RB

11/14/01

▲

06.29.05

Corr Material/Spec Info. 'Component Side' added.

GAT

JF

CHECKED:

GAT

06/12/06

▲

06.05.06

Added X options &amp; PN corrected to SI-DSUB-110-X

GAT

JF

APPROVED:

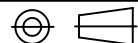
JF

06/12/06

▲

. . .

3RD ANGLE



UNIT:

mm

SCALE:

REV.

B



**SENIOR  
INDUSTRIES, INC.**

TOLERANCE:

PART NO:

SI-DSUB-110-X

TO 1 DECIMAL PLACE: ±.3

TITLE:

TO 2 DECIMAL PLACES: ±.12

D SUB CONNECTOR (FEMALE)

AS ANGLES: ±1/2°

SHEET:

2 OF 2