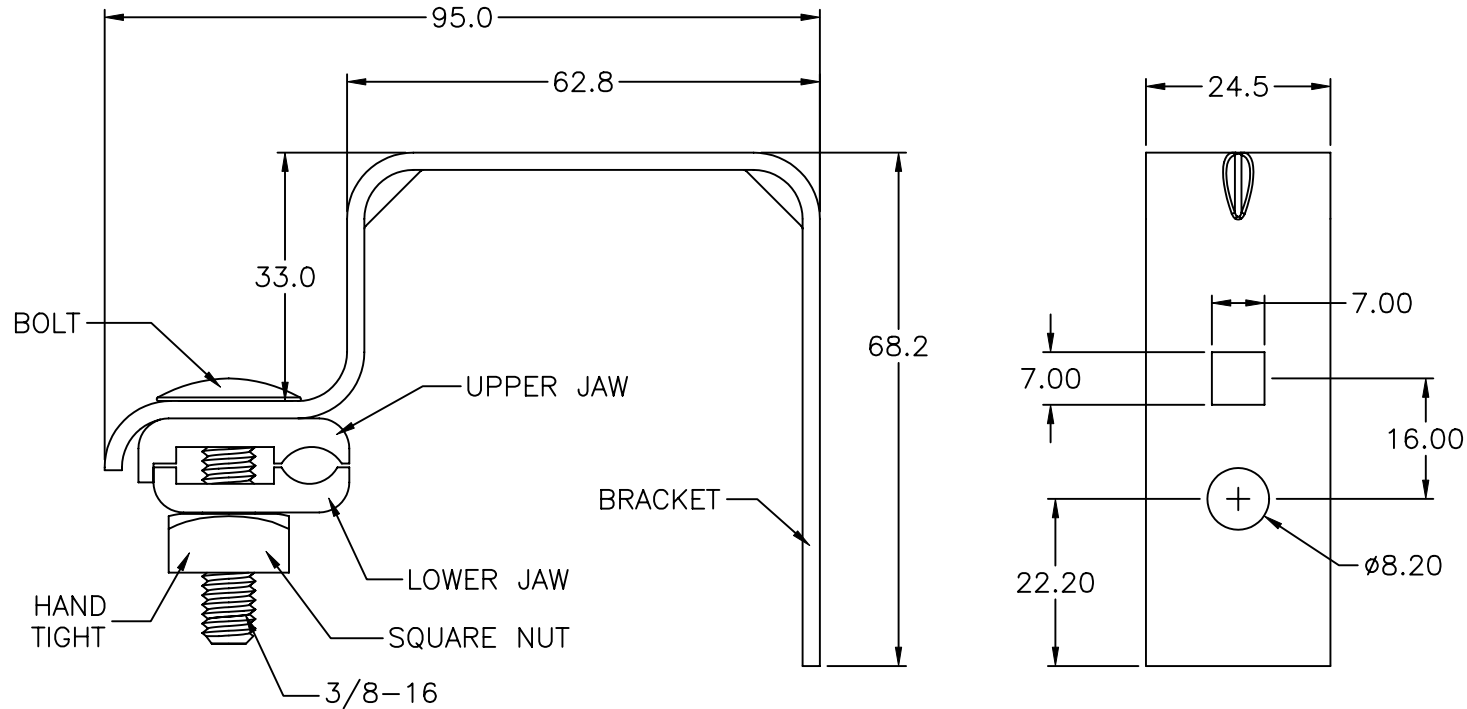


|                         |   |  |   |   |
|-------------------------|---|--|---|---|
| 1                       | 2 | 3  | 4 | 5 |
| COMPONENT SPECIFICATION |   | USE OR REPRODUCTION OF THIS DRAWING FOR THE PURPOSE OF MANUFACTURING THIS ARTICLE OR ANY ARTICLES SHOWN FOR ANY PURPOSE IS STRICTLY PROHIBITED WITHOUT WRITTEN PERMISSION FROM SENIOR INDUSTRIES, INC. |   |   |

A

B

C



**SPECIFICATIONS:**

**MECHANICAL:**

RANGE: ACCEPTS 1/4" TO 3/8" DIA. STRAND  
 INSTALLATION TORQUE: APPROX. 20 FT-LBS MIN.

**MATERIAL:**

BRACKET: .100" THICK GALVANIZED STEEL  
 JAWS: STEEL, GALVANIZED  
 SQAURE NUT: MILD STEEL, HOT DIP GALVANIZED PER ASTM A153  
 BOLT: MILD STEEL, HOT DIP GALVANIZED PER ASTM A153



**SENIOR INDUSTRIES, INC.**

|           |     |          |        |          |                           |        |       |                           |          |             |        |
|-----------|-----|----------|--------|----------|---------------------------|--------|-------|---------------------------|----------|-------------|--------|
| DESIGNED: |     |          | SYM.   | DATE:    | DESCRIPTION OF REVISIONS: | DRAWN: | APPD: | TOLERANCE:                | PART NO: | SI-TAP-250G |        |
| DRAWN:    | GAT | 03/23/07 | △      | 03.23.07 | NEW                       | GAT    | JF    |                           |          |             |        |
| CHECKED:  | GAT | 03/23/07 | △      | .        | .                         |        |       | TO 1 DECIMAL PLACE: ±.3   | TITLE:   | TAP BRACKET |        |
| APPROVED: | JF  | 03/23/07 | △      | .        | .                         |        |       | TO 2 DECIMAL PLACES: ±.12 |          |             |        |
| 3RD ANGLE |     | UNIT:    | inches | SCALE:   | 1:1                       | REV.   | A     | AS ANGLES:                | ±1/2°    | SHEET:      | 1 OF 1 |