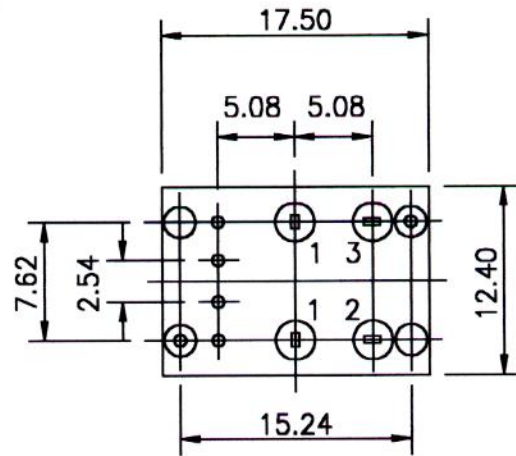
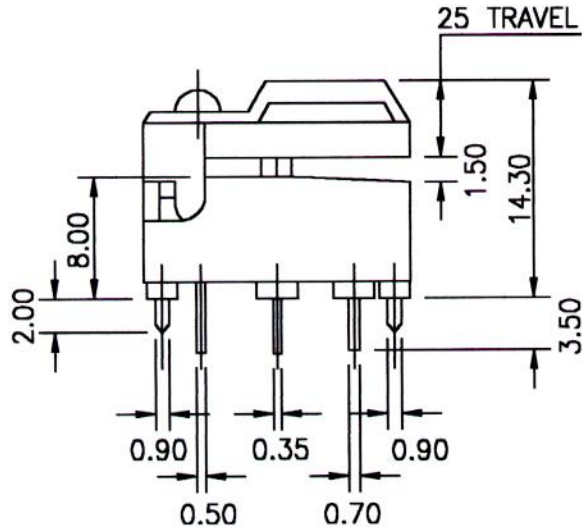


UNLESS OTHERWISE SPECIFIED, ALL DIMENSIONS ARE IN INCHES [MM].

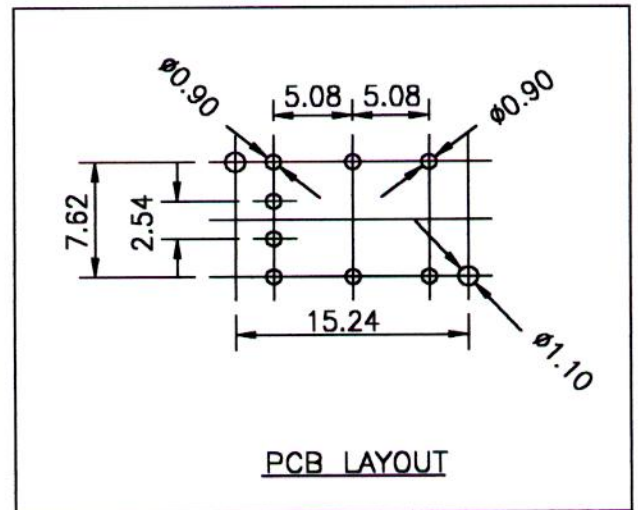
TO 1 DECIMAL PLACE ±.2
 TO 2 DECIMAL PLACES ±.10
 AS ANGLES ±

ISSUE
 A

DATE
 03/23/01



MODEL NO.	SWITCHING TYPE	
SRDP	ON	MOM
CONN. TERMS	2-3	2-1
SCHEMATIC	SPDT	



UNLESS OTHERWISE SPECIFIED, ALL DIMENSIONS ARE IN INCHES [MM].

TO 1 DECIMAL PLACE ±.2
 TO 2 DECIMAL PLACES ±.10
 AS ANGLES ±

ISSUE	DATE
A	03/23/01

SPECIFICATIONS

ELECTRICAL

CONTACT RATING: 50 mA @ 24 VDC
 CONTACT RESISTANCE: 20 MILLIOHMS MAX
 INSULATION RESISTANCE: 100 MEGOHMS MIN
 DIELECTRIC STRENGTH: 250 VRMS

MECHANICAL

LIFE: 200,000 CYCLES

ENVIRONMENTAL

OPERATING TEMPERATURE: -25°C TO +75°C

MATERIAL

CASE: NYLON
 ACTUATOR: ABS
 CONTACT/TERMINALS: COPPER ALLOY, GOLD PLATED

REGULATORY

UL RECOGNIZED COMPONENT. UL FILE NO. E173084.

SERIES	CAP STYLE	CAP COLOR	LED ONE COLOR	LED TWO COLOR	TERMINATION	SEAL
SRDP -						
A1 (NO LED)		1 - BLUE	BLANK	BLANK	C (PC MOUNT)	BLANK E (EPOXY)
A2 (ONE LED)		2 - RED	1 - RED	1 - RED		
A3 (TWO LEDS)		3 - BLACK	2 - GREEN	2 - GREEN		
B1 (WIDE-NO LED)		4 - BROWN	3 - YELLOW	3 - YELLOW		
B2 (WIDE-ONE LED)		5 - GREEN				
B3 (WIDE-TWO LEDS)		6 - WHITE				
		7 - GRAY				
		8 - ORANGE				
		9 - YELLOW				
		0 - VIOLET				



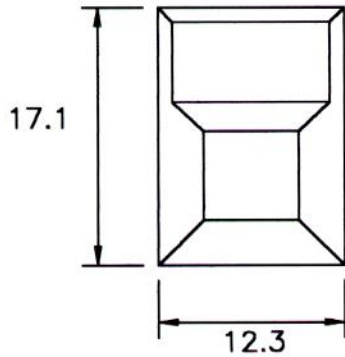
TITLE: DIP PUSHBUTTON SWITCH		PART NO: SRDP-XXXXXX	
DATE: 03/05/01	DRAWN: RB	CHKD: 	SHEET: 2 OF 3
		SCALE: N/A	

UNLESS OTHERWISE SPECIFIED, ALL DIMENSIONS ARE IN INCHES [MM].

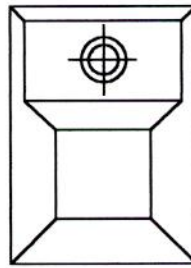
TO 1 DECIMAL PLACE ±.2
 TO 2 DECIMAL PLACES ±.10
 AS ANGLES ±

ISSUE	DATE
A	03/23/01

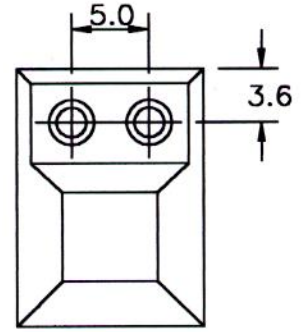
CAP OPTIONS



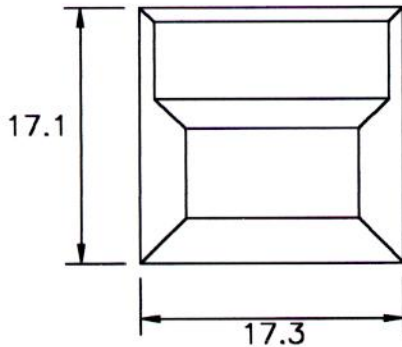
A1 (NO LED)



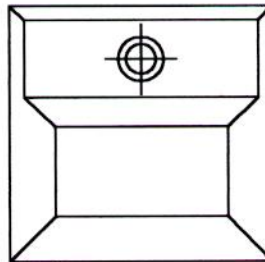
A2 (ONE LED)



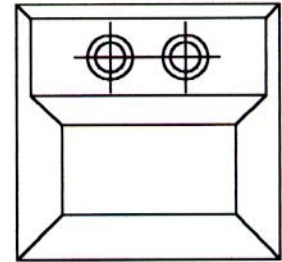
A3 (TWO LEDS)



B1 (WIDE-NO LED)



B2 (WIDE-ONE LED)



B3 (WIDE-TWO LEDS)