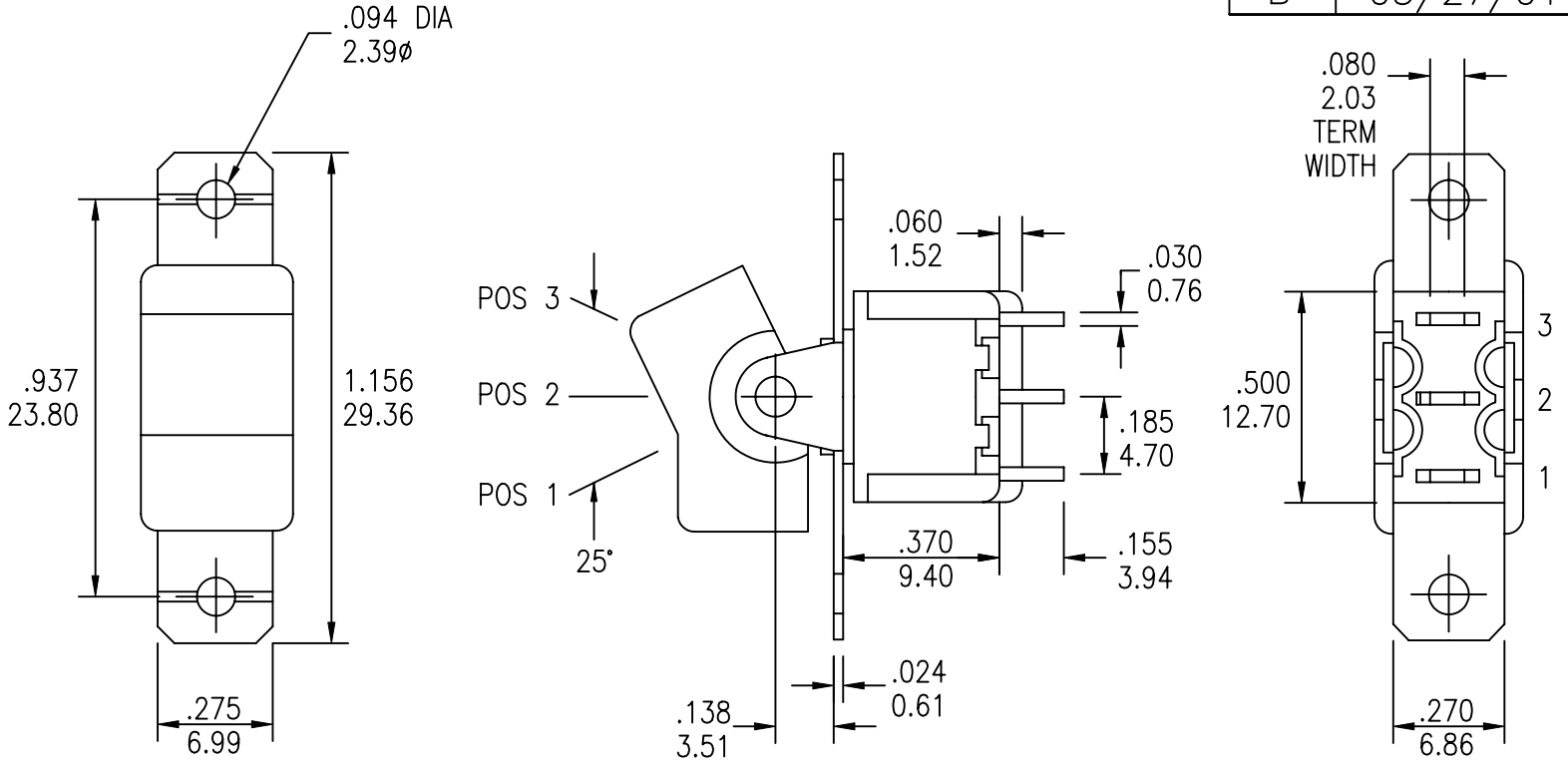


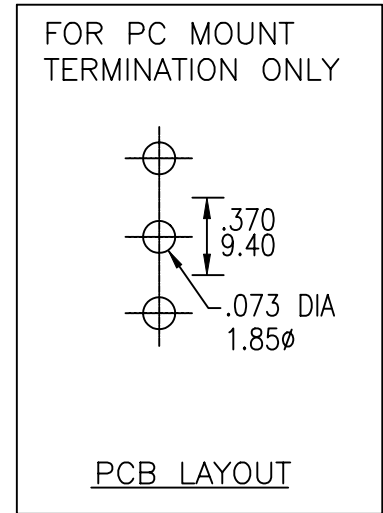
UNLESS OTHERWISE SPECIFIED, ALL DIMENSIONS ARE IN INCHES [MM].

TO 1 DECIMAL PLACE ±.2  
 TO 2 DECIMAL PLACES ±.10  
 AS ANGLES ±

ISSUE	DATE
A	03/15/01
B	03/27/01



MODEL NO.	SWITCHING POSITION		
8015	ON	NONE	ON
8015A	ON	NONE	MOM
8016	ON	OFF	ON
8016A	MOM	OFF	MOM
8016B	ON	OFF	MOM
CONN. TERMS	2-3	OPEN	2-1
SCHEMATIC	SPDT  2 Comm. 1      3		



UNLESS OTHERWISE SPECIFIED, ALL DIMENSIONS ARE IN INCHES [MM].

TO 1 DECIMAL PLACE ±.2  
 TO 2 DECIMAL PLACES ±.10  
 AS ANGLES ±

ISSUE	DATE
A	03/15/01
B	03/27/01

SPECIFICATIONS

ELECTRICAL

CONTACT RATING:

SILVER: 5A @ 120 VAC OR 28 VDC, 2A @ 250 VAC  
 GOLD: 0.4 VA MAX. @ 20 V MAX. (AC OR DC)

CONTACT RESISTANCE: 10 MILLIOHMS MAX.

INSULATION RESISTANCE: 1,000 MEGOHMS MIN. AT 500 VDC

DIELECTRIC STRENGTH: 1,000 VRMS

MECHANICAL

LIFE: 50,000 CYCLES

ENVIRONMENTAL

OPERATING TEMPERATURE: -30°C TO +85°C

MATERIAL

CASE: DAP, UL 94V-0

HOUSING: STAINLESS STEEL

ACTUATOR: NYLON

BUSHING: BRASS, NICKEL PLATED

SUPPORT: BRASS, TIN PLATED

CONTACT/TERMINALS: COPPER ALLOY, SILVER OR GOLD PLATED

REGULATORY

UL RECOGNIZED COMPONENT. UL FILE NO. E173084.

SERIES	MODEL NO.	ACTUATOR	ACTUATOR COLOR	TERMINATION	CONTACT PLATING	SEAL	VERTICAL SUPPORT BRACKET
SRMR -	<input type="text"/>	- <input type="text"/>	<input type="text"/>	<input type="text"/>	<input type="text"/>	<input type="text"/>	<input type="text"/>
	8015	R11 (ROCKER)	1 - BLUE		Q (SILVER)	BLANK	BLANK
	8015A	R12 (ROCKER W/BEZEL)	2 - RED		R (GOLD)	E (EPOXY)	S20
	8016	R15 (LARGE ROCKER)	3 - BLACK		B (SOLDER LUG)		S40
	8016A	P13 (PADDLE)	4 - BROWN		C (PC MOUNT)		
	8016B	P14 (PADDLE W/BEZEL)	5 - GREEN		D (QUICK CONNECT)		
		P16 (LARGE PADDLE)	6 - WHITE		D1 (WIRE WRAP - .750)		
			7 - GRAY		D2 (WIRE WRAP - .964)		
			8 - ORANGE		D3 (WIRE WRAP - .425)		
			9 - YELLOW		D4 (WIRE WRAP - 1.062)		
			0 - VIOLET				



TITLE:  
SRMR 8015/8016 ROCKER/PADDLE SWITCHES

PART NO:  
SEE CHART

DATE:  
03/05/01

DRAWN:  
RB

CHKD:

SCALE:  
N/A

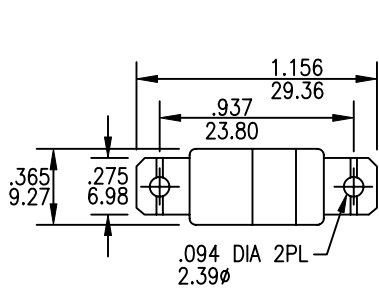
SHEET:  
2 OF 5

UNLESS OTHERWISE SPECIFIED, ALL DIMENSIONS ARE IN INCHES [MM].

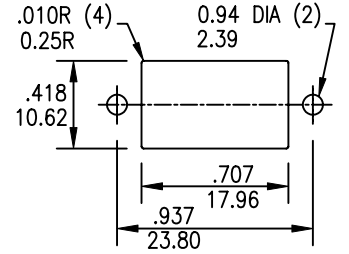
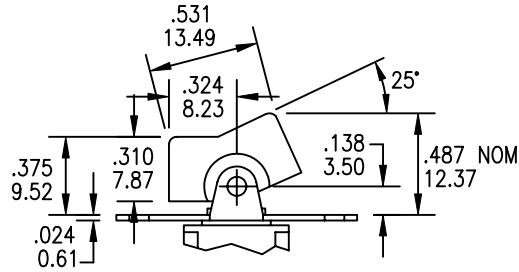
TO 1 DECIMAL PLACE ±.2  
 TO 2 DECIMAL PLACES ±.10  
 AS ANGLES ±

ISSUE	DATE
A	03/15/01
B	03/27/01

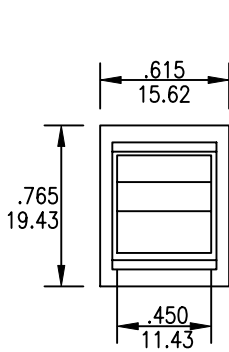
ACTUATOR OPTIONS



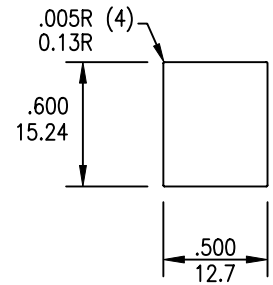
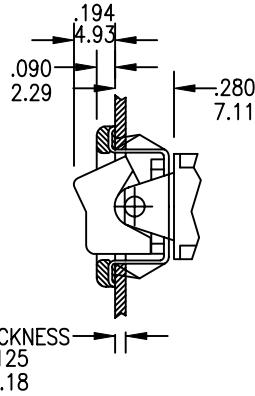
R11



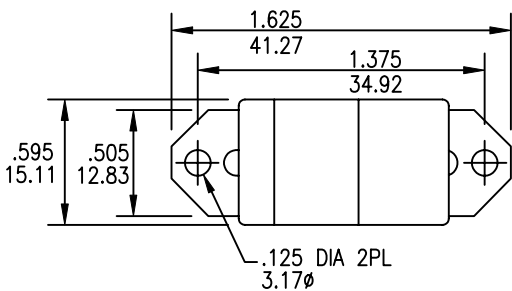
PANEL MOUNTING



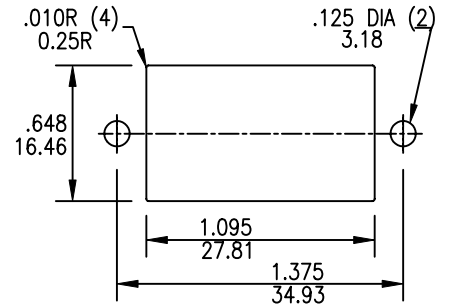
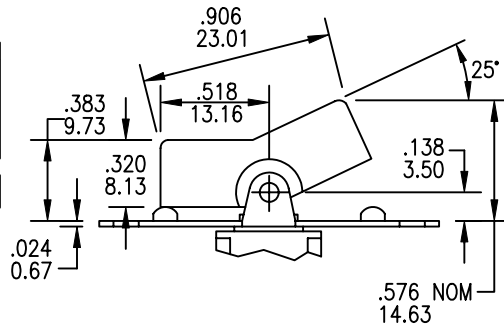
R12



PANEL MOUNTING



R15



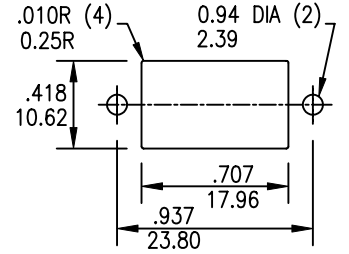
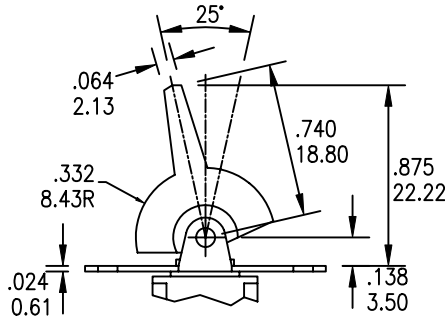
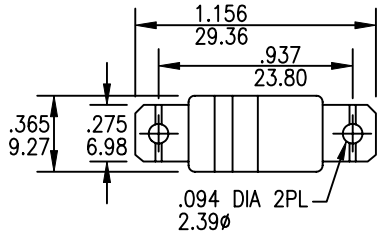
PANEL MOUNTING

UNLESS OTHERWISE SPECIFIED, ALL DIMENSIONS ARE IN INCHES [MM].

TO 1 DECIMAL PLACE ±.2  
 TO 2 DECIMAL PLACES ±.10  
 AS ANGLES ±

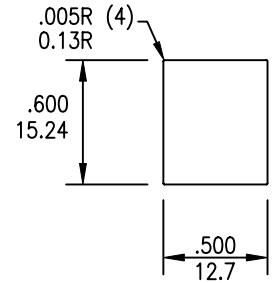
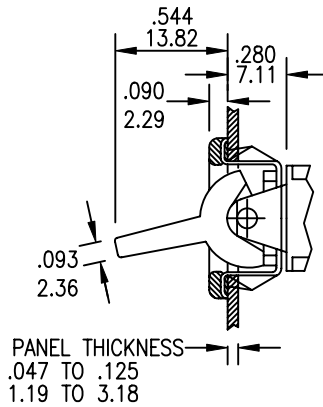
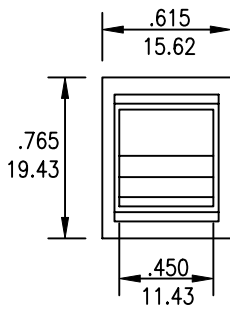
ISSUE	DATE
A	03/15/01
B	03/27/01

ACTUATOR OPTIONS



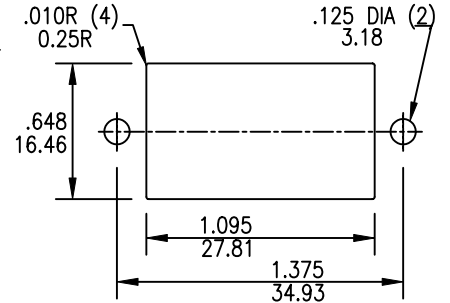
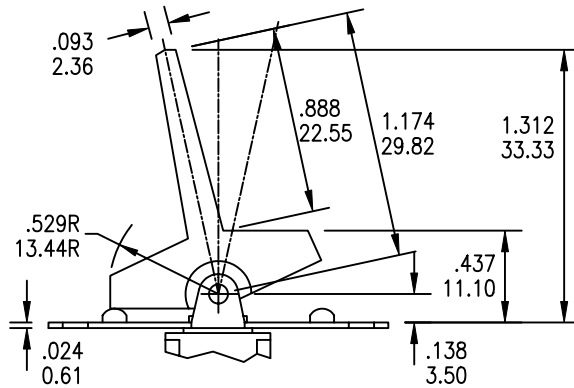
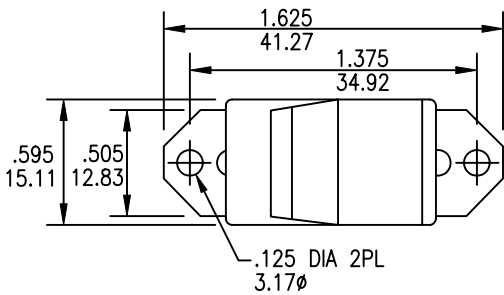
P13

PANEL MOUNTING



P14

PANEL MOUNTING



P16

PANEL MOUNTING

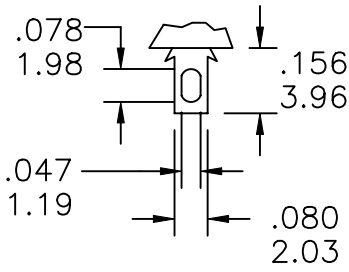
UNLESS OTHERWISE SPECIFIED, ALL DIMENSIONS ARE IN INCHES [MM].

TO 1 DECIMAL PLACE ±.2  
 TO 2 DECIMAL PLACES ±.10  
 AS ANGLES ±

ISSUE	DATE
A	03/15/01
B	03/27/01

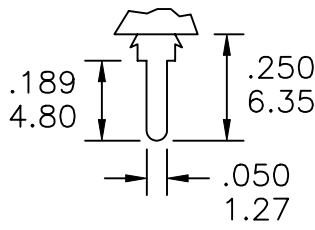
TERMINATION OPTIONS

SOLDER LUG



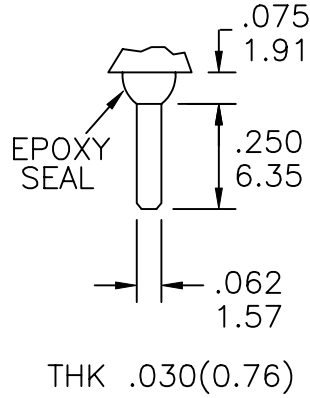
B

PC MOUNT



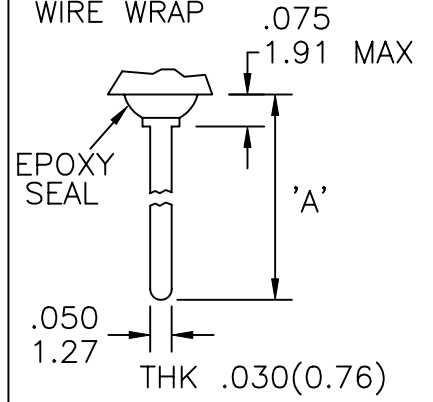
C

QUICK CONNECT



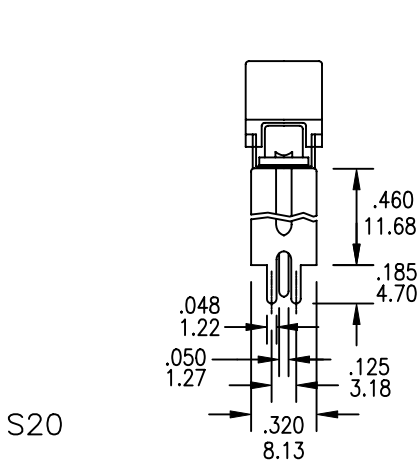
D

WIRE WRAP

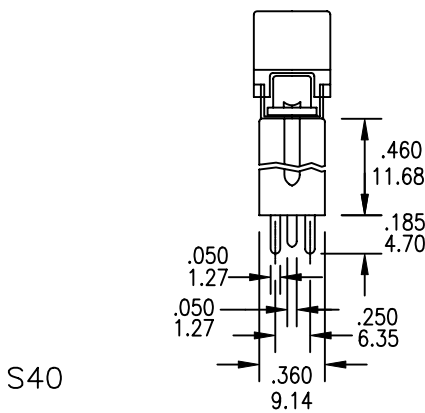
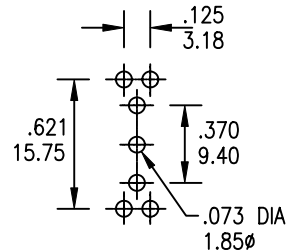
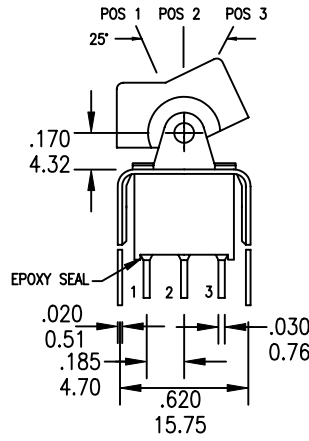


	'A'
D1	.750(19.05)
D2	.964(24.48)
D3	.425(10.80)
D4	1.062(26.97)

VERTICAL SUPPORT BRACKET



S20



S40

