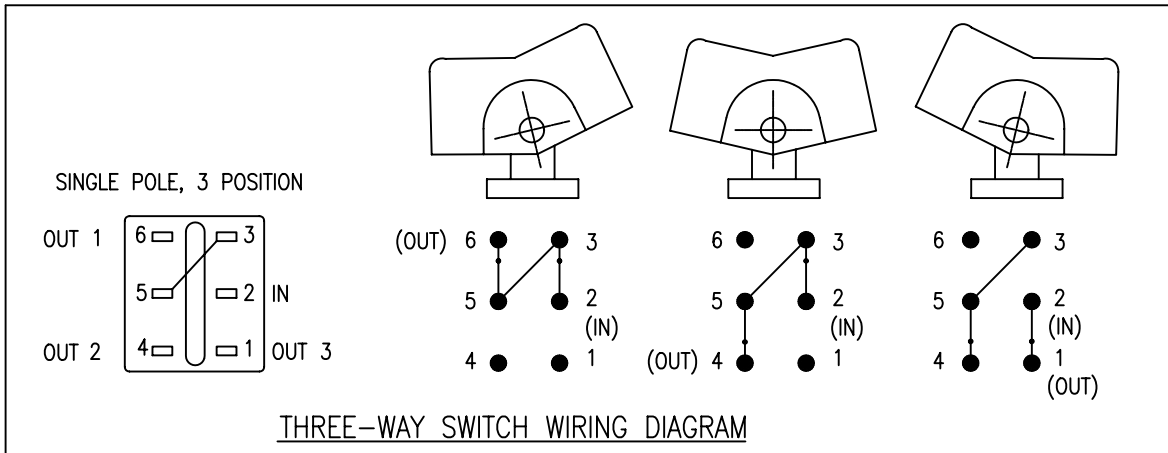
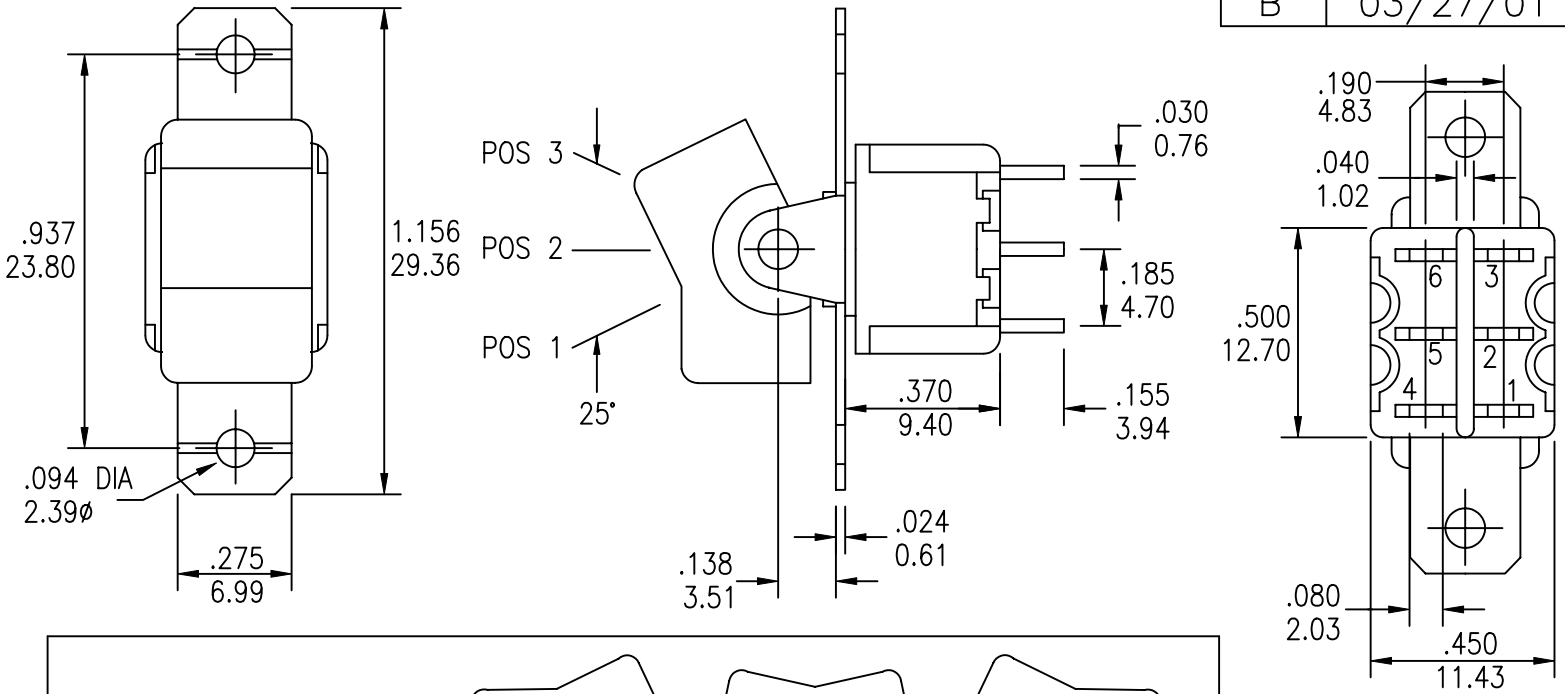


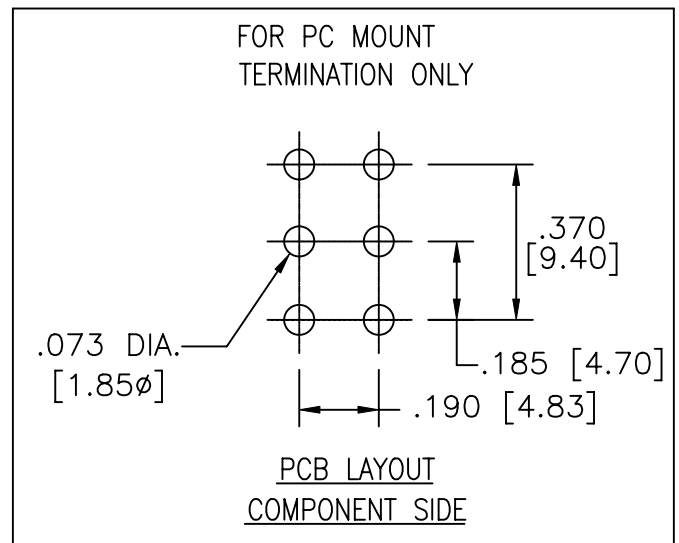
UNLESS OTHERWISE SPECIFIED, ALL DIMENSIONS ARE IN INCHES [MM].

TO 1 DECIMAL PLACE ±.2
 TO 2 DECIMAL PLACES ±.10
 AS ANGLES ±

ISSUE	DATE
A	03/15/01
B	03/27/01



MODEL NO.	SWITCHING POSITION		
818	ON	ON	ON
818A	MOM	ON	MOM
818B	ON	ON	MOM
CONN. TERMS	2-3 5-6	2-3 5-4	2-1 5-4



UNLESS OTHERWISE SPECIFIED, ALL DIMENSIONS ARE IN INCHES [MM].

TO 1 DECIMAL PLACE ±.2
 TO 2 DECIMAL PLACES ±.10
 AS ANGLES ±

ISSUE	DATE
A	03/15/01
B	03/27/01

SPECIFICATIONS

ELECTRICAL

CONTACT RATING:

SILVER: 5A @ 120 VAC OR 28 VDC, 2A @ 250 VAC
 GOLD: 0.4 VA MAX. @ 20 V MAX. (AC OR DC)

CONTACT RESISTANCE: 10 MILLIOHMS MAX.

INSULATION RESISTANCE: 1,000 MEGOHMS MIN. AT 500 VDC

DIELECTRIC STRENGTH: 1,000 VRMS

MECHANICAL

LIFE: 50,000 CYCLES

ENVIRONMENTAL

OPERATING TEMPERATURE: -30°C TO +85°C

MATERIAL

CASE: DAP, UL 94V-0

HOUSING: STAINLESS STEEL

ACTUATOR: NYLON

BUSHING: BRASS, NICKEL PLATED

SUPPORT: BRASS, TIN PLATED

CONTACT/TERMINALS: COPPER ALLOY, SILVER OR GOLD PLATED

REGULATORY

UL RECOGNIZED COMPONENT. UL FILE NO. E173084.

SERIES	MODEL NO.	ACTUATOR	ACTUATOR COLOR	TERMINATION	CONTACT PLATING	SEAL	VERTICAL SUPPORT BRACKET
SRMR -	<input type="text"/>	<input type="text"/>	<input type="text"/>	<input type="text"/>	<input type="text"/>	<input type="text"/>	<input type="text"/>
	818	R11 (ROCKER)	1 - BLUE	B (SOLDER LUG) C (PC MOUNT) D (QUICK CONNECT) D1 (WIRE WRAP - .750) D2 (WIRE WRAP - .964) D3 (WIRE WRAP - .425) D4 (WIRE WRAP - 1.062)	Q (SILVER)	BLANK	S30
	818A	R12 (ROCKER W/BEZEL)	2 - RED		R (GOLD)	E (EPOXY)	S50
	818B	R15 (LARGE ROCKER)	3 - BLACK (STD)				
		P13 (PADDLE)	4 - BROWN				
		P14 (PADDLE W/BEZEL)	5 - GREEN				
		P16 (LARGE PADDLE)	6 - WHITE				
			7 - GRAY				
			8 - ORANGE				
			9 - YELLOW				
			0 - VIOLET				



TITLE: ROCKER AND PADDLE SWITCHES

PART NO: SRMR-818X-XXXXXX

DATE: 03/05/01

DRAWN: RB

CHKD:

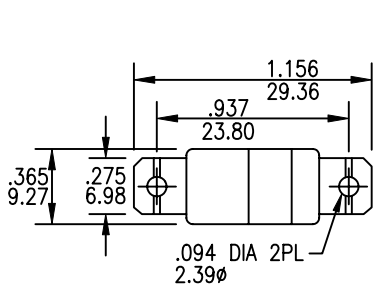
SCALE: N/A

SHEET: 2 OF 5

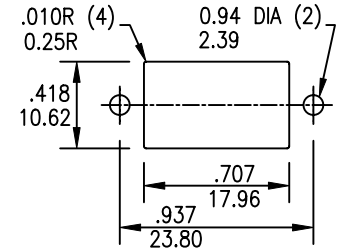
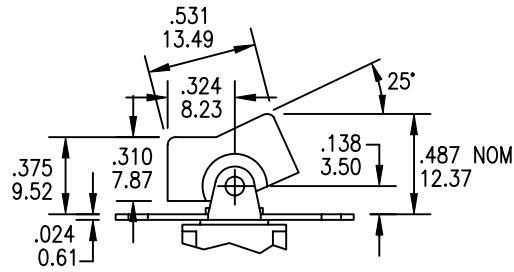
UNLESS OTHERWISE SPECIFIED, ALL DIMENSIONS ARE IN INCHES [MM].
 TO 1 DECIMAL PLACE ±.2
 TO 2 DECIMAL PLACES ±.10
 AS ANGLES ±

ISSUE	DATE
A	03/15/01
B	03/27/01

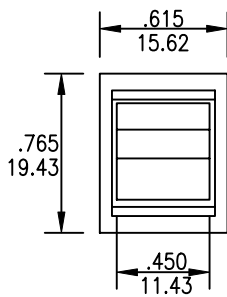
ACTUATOR OPTIONS



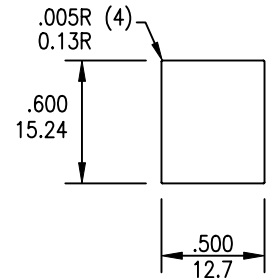
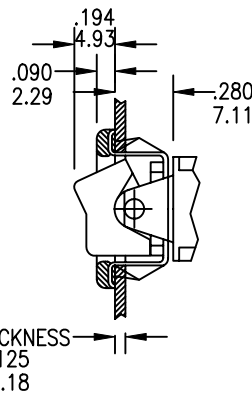
R11



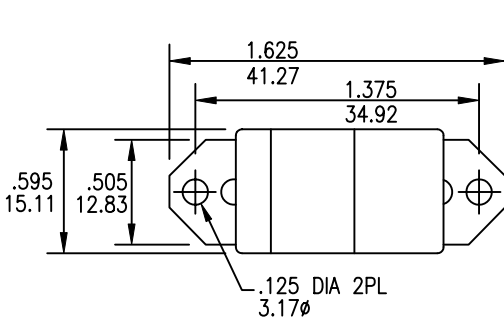
PANEL MOUNTING



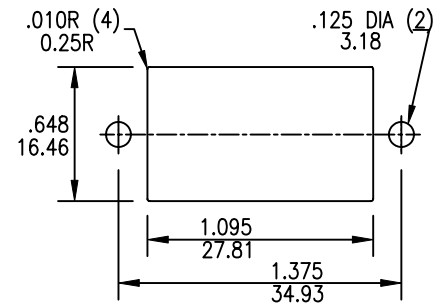
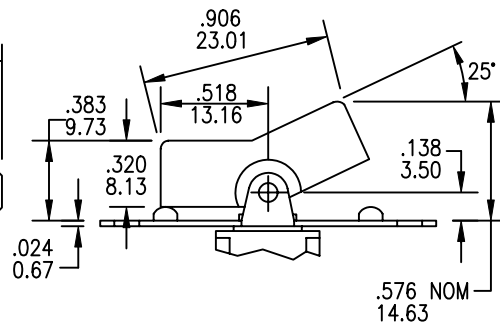
R12



PANEL MOUNTING



R15

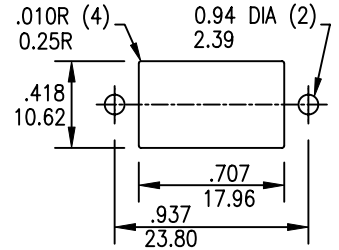
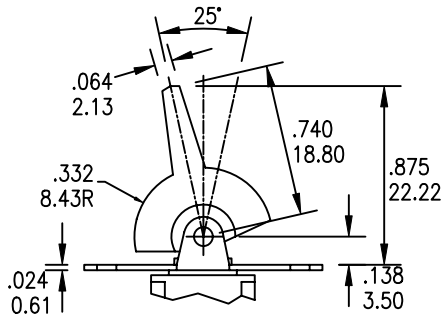
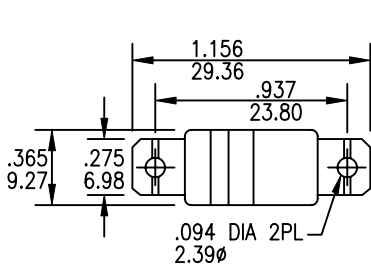


PANEL MOUNTING

UNLESS OTHERWISE SPECIFIED, ALL DIMENSIONS ARE IN INCHES [MM].
 TO 1 DECIMAL PLACE ±.2
 TO 2 DECIMAL PLACES ±.10
 AS ANGLES ±

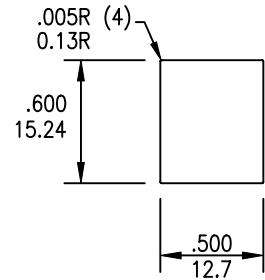
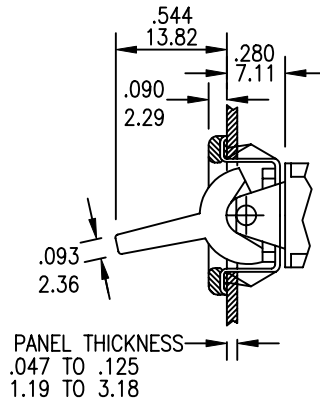
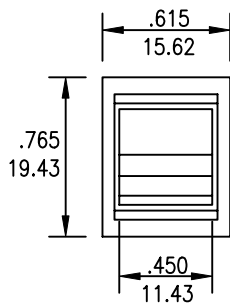
ISSUE	DATE
A	03/15/01
B	03/27/01

ACTUATOR OPTIONS



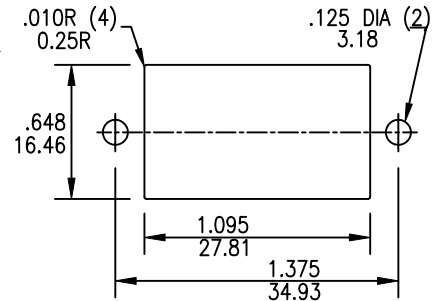
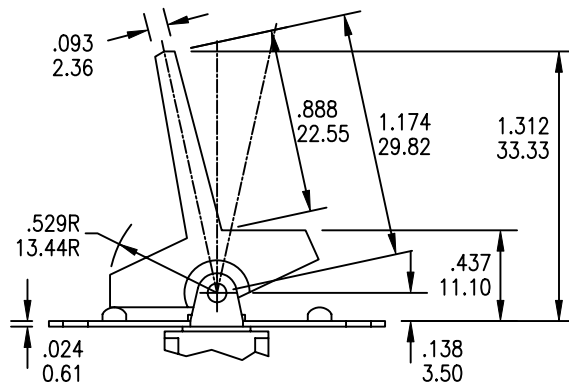
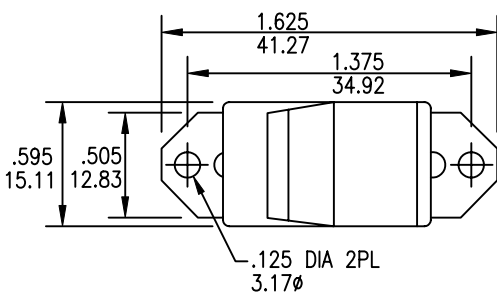
P13

PANEL MOUNTING



P14

PANEL MOUNTING



P16

PANEL MOUNTING

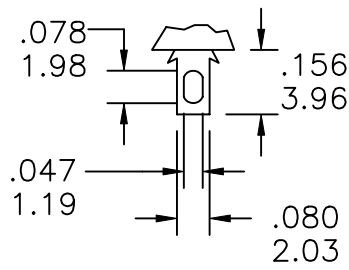
UNLESS OTHERWISE SPECIFIED, ALL DIMENSIONS ARE IN INCHES [MM].

TO 1 DECIMAL PLACE ±.2
 TO 2 DECIMAL PLACES ±.10
 AS ANGLES ±

ISSUE	DATE
A	03/15/01
B	03/27/01

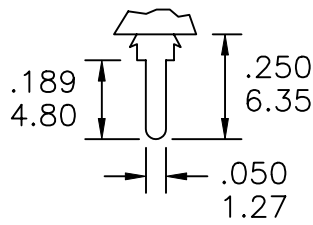
TERMINATION OPTIONS

SOLDER LUG



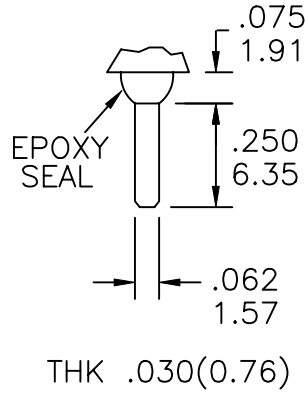
B

PC MOUNT



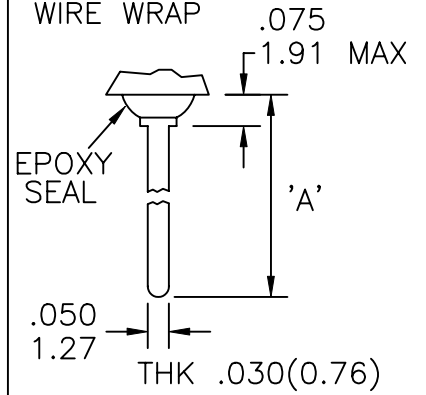
C

QUICK CONNECT



D

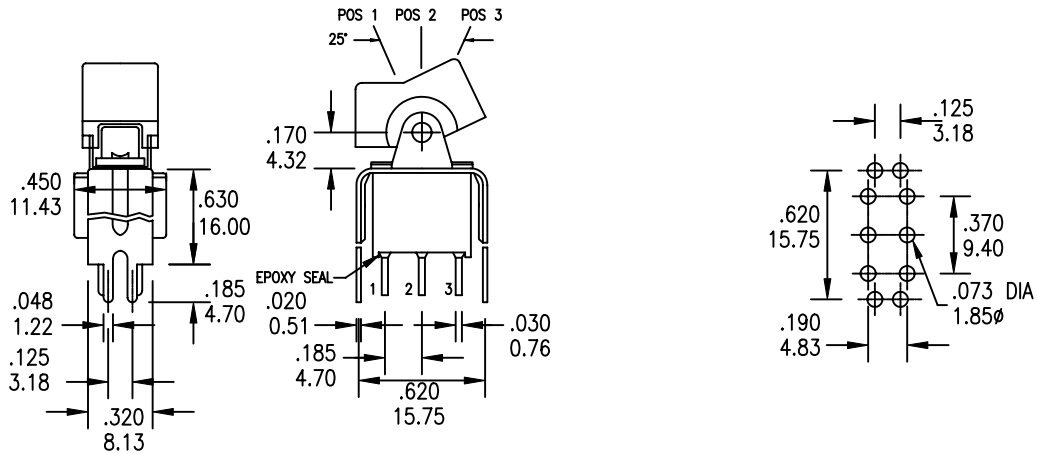
WIRE WRAP



	'A'
D1	.750(19.05)
D2	.964(24.48)
D3	.425(10.80)
D4	1.062(26.97)

VERTICAL SUPPORT BRACKET

S30



S50

