



UNLESS OTHERWISE SPECIFIED, ALL DIMENSIONS ARE IN INCHES [MM].

TO 1 DECIMAL PLACE ±.2  
 TO 2 DECIMAL PLACES ±.10  
 AS ANGLES ±

ISSUE	DATE
A	03/05/01
B	09/29/04
C	02/14/08

SPECIFICATIONS

ELECTRICAL

CONTACT RATING:

SILVER: 5A @ 120 VAC OR 28 VDC, 2A @ 250 VAC

GOLD: 0.4 VA MAX. @ 20 V MAX. (AC OR DC)

CONTACT RESISTANCE: 10 MILLIOHMS MAX.

INSULATION RESISTANCE: 1,000 MEGOHMS MIN. AT 500 VDC

DIELECTRIC STRENGTH: 1,000 VRMS

MECHANICAL

LIFE: 40,000 CYCLES

ENVIRONMENTAL

OPERATING TEMPERATURE: -30°C TO +85°C

MATERIAL

CASE: DAP, UL 94V-0

HOUSING: STAINLESS STEEL

ACTUATOR: BRASS, CHROME PLATED

BUSHING: BRASS, NICKEL PLATED

SUPPORT: BRASS, TIN PLATED

CONTACT/TERMINALS: COPPER ALLOY, SILVER OR GOLD PLATED

PART NUMBER BUILDER:

SERIES	MODEL NO.	ACTUATOR	BUSHING	TERMINATION	CONTACT PLATING	SEAL	VERTICAL SUPPORT BRACKET
SRMT -	<input type="text"/>	- <input type="text"/>	<input type="text"/>	<input type="text"/>	<input type="text"/>	<input type="text"/>	<input type="text"/>
	812	S (STD)	BLANK (Z/Z1 ONLY)		Q (SILVER)	BLANK	BLANK
	812A	T	E (STD - THD)		R (GOLD)	E (EPOXY)	S20
	812B	X (LONG)	M (STD - NON-THD)	B (SOLDER LUG)			S30
		W (LONG)	F (THD)	C (PC MOUNT)			S40
		V (LONG)	N (NON-THD)	D (QUICK CONNECT)			S50
		U (FLATTED)	G (HIGH TORQUE)	D1 (WIRE WRAP - .736)			
		Z (LARGE TOGGLE)	H (HIGH TORQUE)	D2 (WIRE WRAP - .953)			
		Z1 (LARGE)	J (LONG)	D3 (WIRE WRAP - .415)			
		Y (PLASTIC)	K (METRIC)	D4 (WIRE WRAP - 1.062)			
			L (SPLASH-PROOF)				



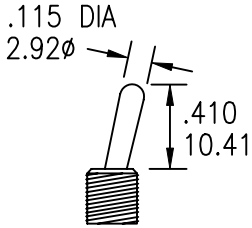
TITLE: TOGGLE SWITCH		PART NO: SRMT-812X-XXXXXX			
DATE: 03/05/01	DRAWN: RB	CHKD:	SCALE: N/A	SHEET: 2 OF 6	

UNLESS OTHERWISE SPECIFIED, ALL DIMENSIONS ARE IN INCHES [MM].

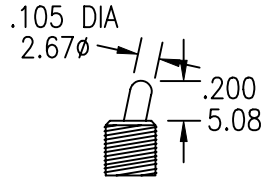
TO 1 DECIMAL PLACE ±.2  
 TO 2 DECIMAL PLACES ±.10  
 AS ANGLES ±

ISSUE	DATE
A	03/05/01
B	09/29/04
C	02/14/08

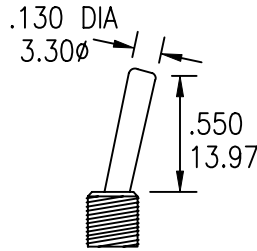
ACTUATOR OPTIONS



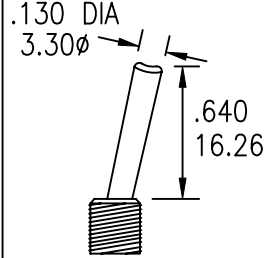
S (STD)



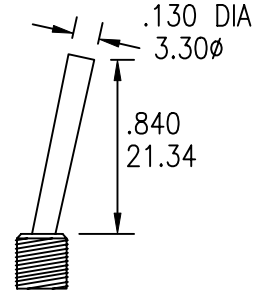
T



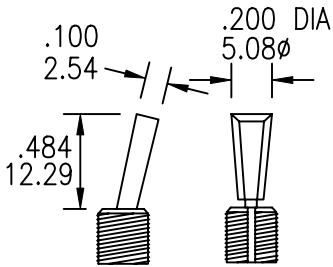
X (LONG)



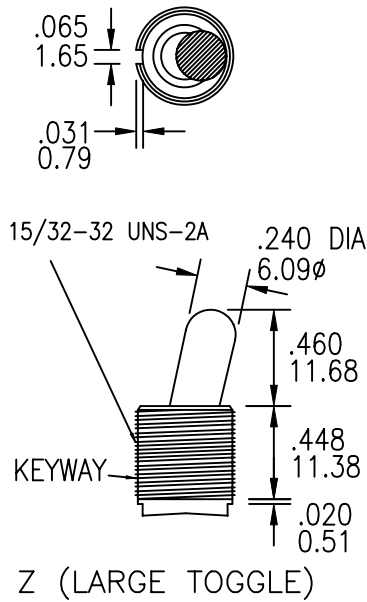
V (LONG)



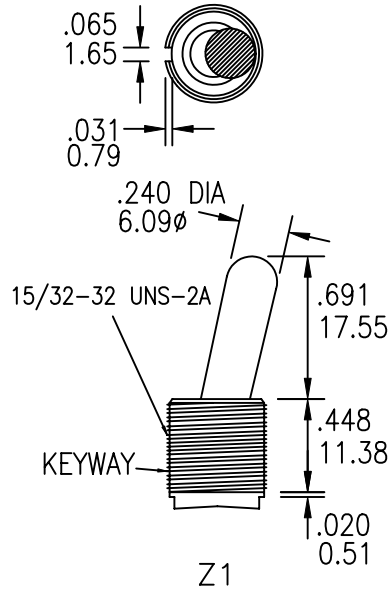
W (LONG)



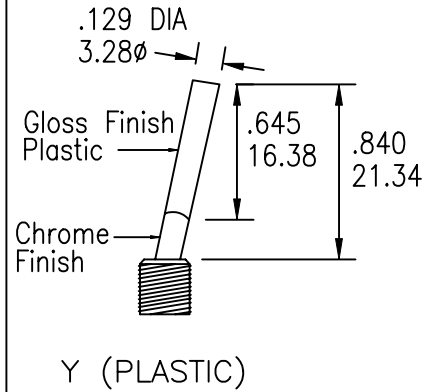
U (FLATTED)



Z (LARGE TOGGLE)

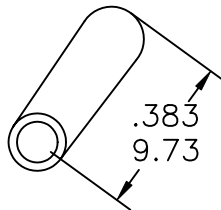


Z1

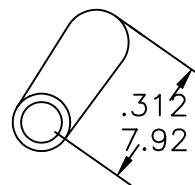


Y (PLASTIC)

NOTE: OPTIONAL TOGGLE CAP AVAILABLE.



Used with S STD actuator



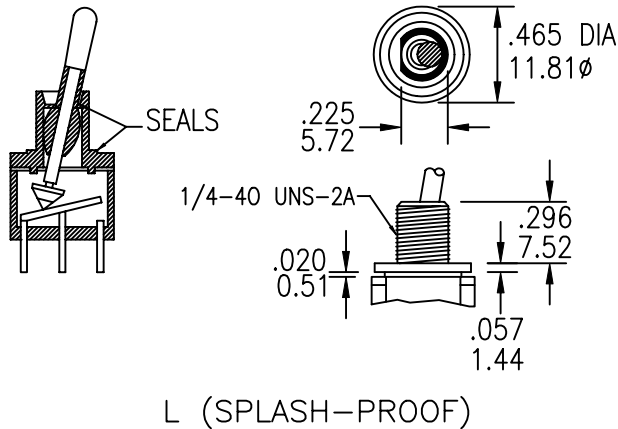
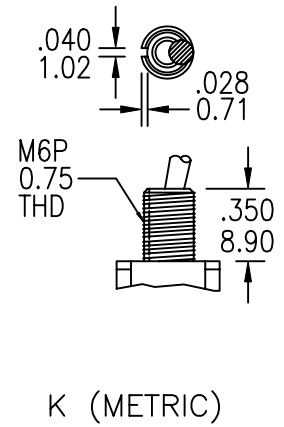
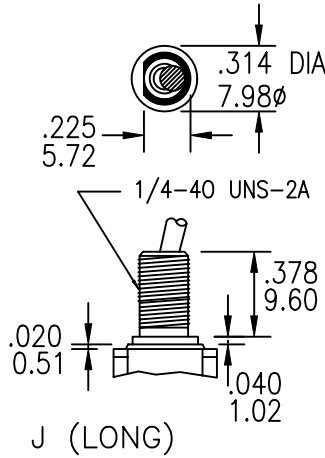
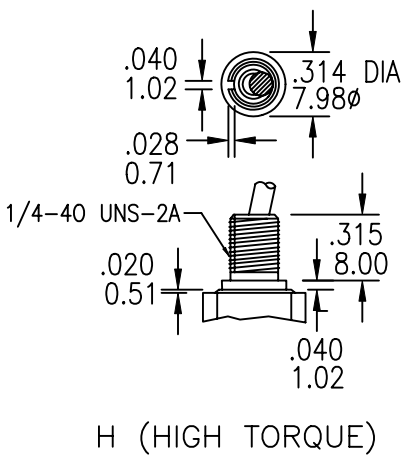
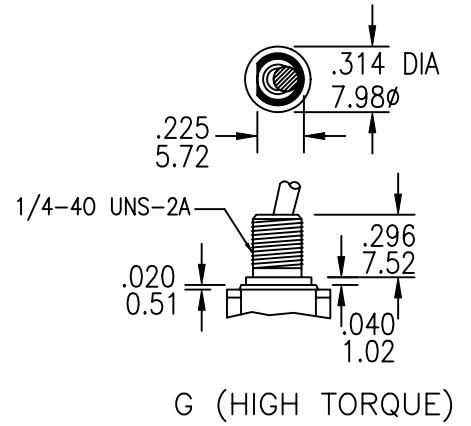
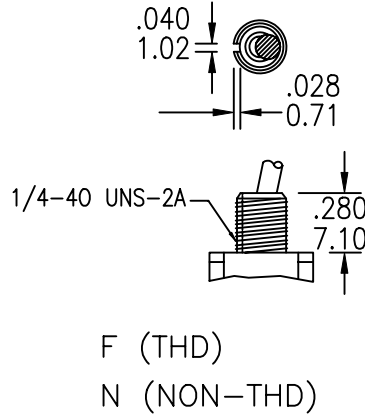
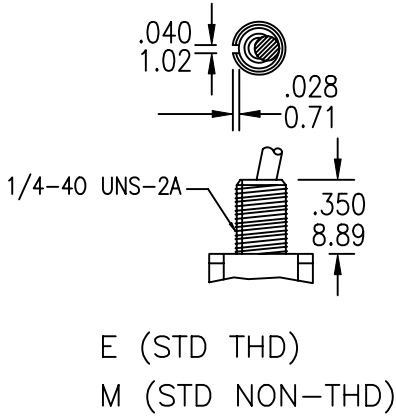
Used with T actuator

UNLESS OTHERWISE SPECIFIED, ALL DIMENSIONS ARE IN INCHES [MM].

TO 1 DECIMAL PLACE ±.2  
 TO 2 DECIMAL PLACES ±.10  
 AS ANGLES ±

ISSUE	DATE
A	03/05/01
B	09/29/04
C	02/14/08

BUSHING OPTIONS

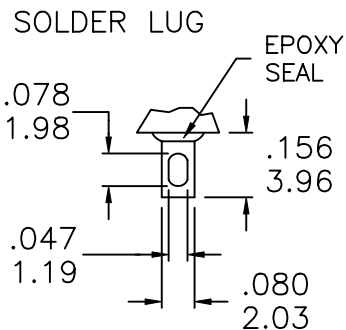


UNLESS OTHERWISE SPECIFIED, ALL DIMENSIONS ARE IN INCHES [MM].

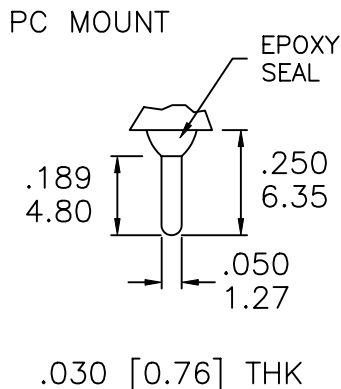
TO 1 DECIMAL PLACE ±.2  
 TO 2 DECIMAL PLACES ±.10  
 AS ANGLES ±

ISSUE	DATE
A	03/05/01
B	09/29/04
C	02/14/08

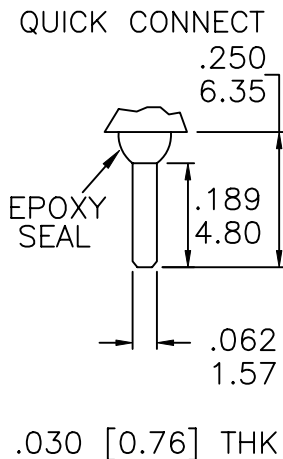
TERMINATION OPTIONS



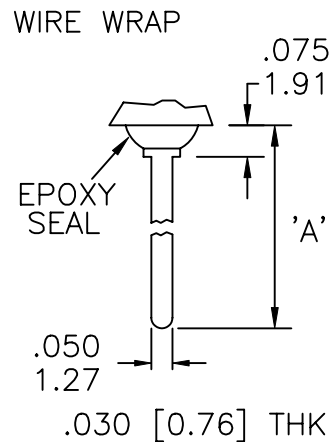
B



C

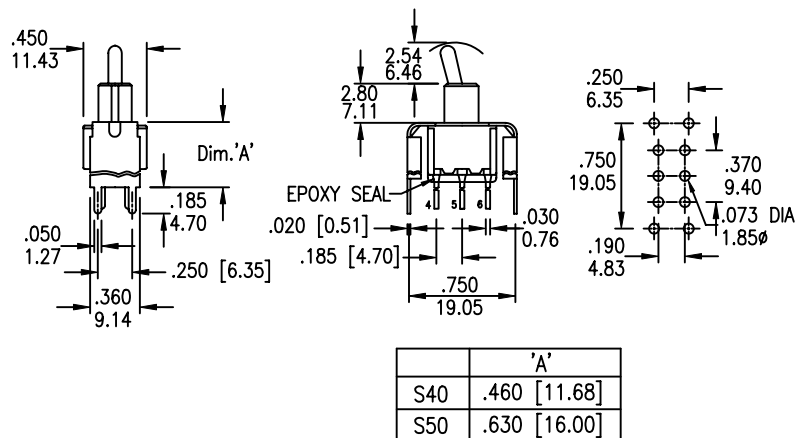
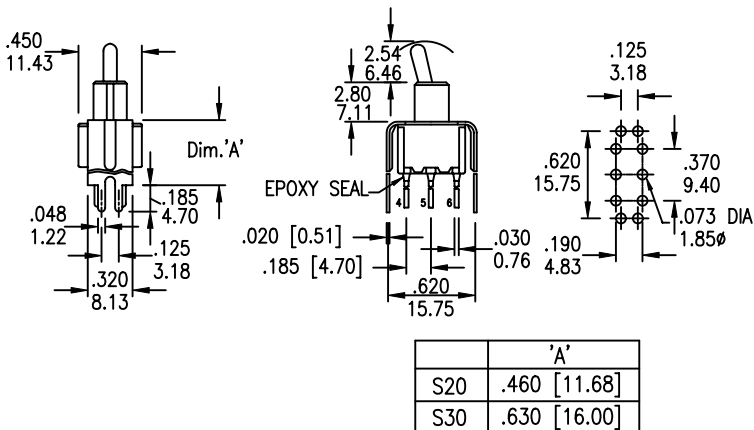


D



	'A'
D1	.736(18.70)
D2	.953(24.20)
D3	.415(10.54)
D4	1.062(26.97)

VERTICAL SUPPORT BRACKET OPTIONS

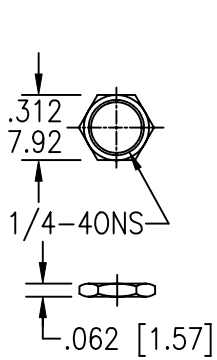


UNLESS OTHERWISE SPECIFIED, ALL DIMENSIONS ARE IN INCHES [MM].

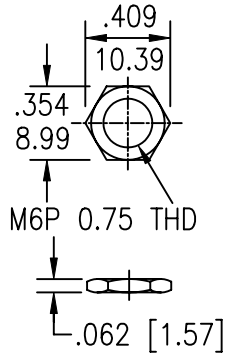
TO 1 DECIMAL PLACE ±.2  
 TO 2 DECIMAL PLACES ±.10  
 AS ANGLES ±

ISSUE	DATE
A	03/05/01
B	09/29/04

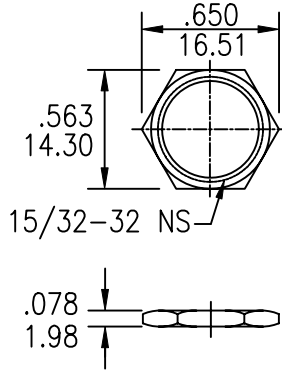
STANDARD NUTS



STD FOR E, F, G,  
H, AND L OPTIONS

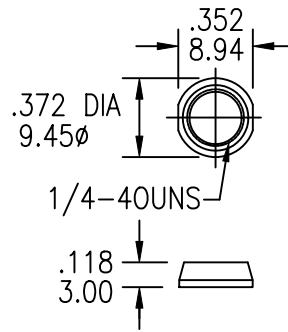


STD FOR K OPTION

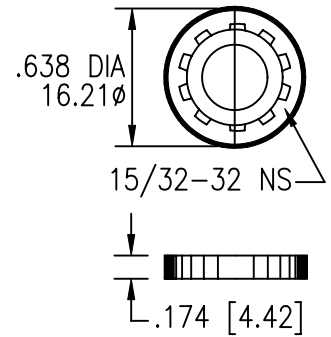


STD FOR Z  
AND Z1 OPTIONS

OPTIONAL NUTS

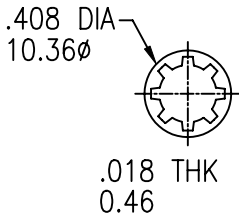


DRESS NUT

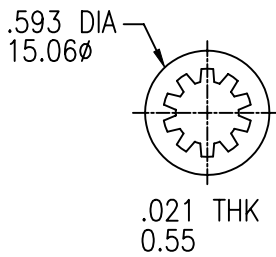


KNURLED

LOCK WASHER

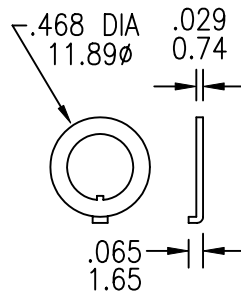


STD

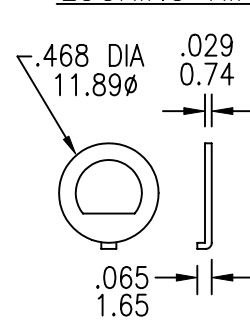


STD FOR Z AND Z1 OPTIONS

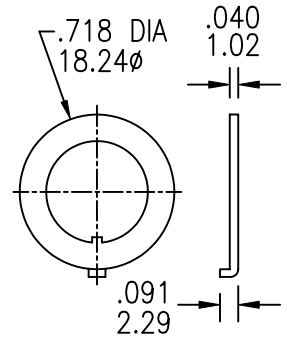
LOCKING RING



STD

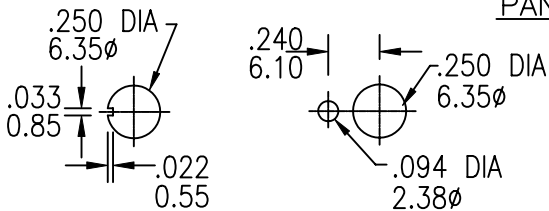


STD FOR G  
AND J OPTIONS.

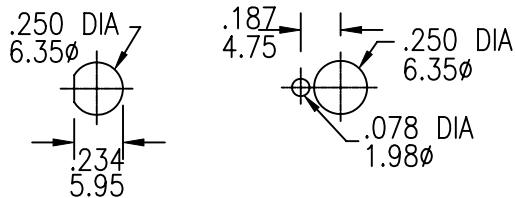


STD FOR Z  
AND Z1 OPTIONS.

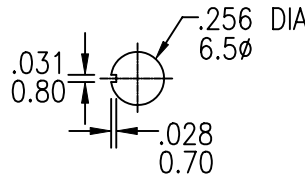
PANEL MOUNTING



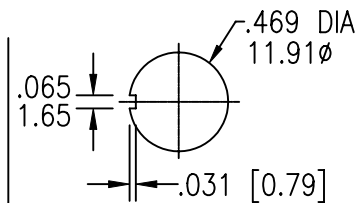
FOR BUSHING E, M, F, N, AND H OPTIONS



FOR BUSHING G, J, AND L OPTIONS



FOR BUSHING K OPTION



FOR ACTUATOR Z AND Z1 OPTIONS