

COMPONENT SPECIFICATION

USE OR REPRODUCTION OF THIS DRAWING FOR THE PURPOSE OF MANUFACTURING THIS ARTICLE OR ANY ARTICLES SHOWN FOR ANY PURPOSE IS STRICTLY PROHIBITED WITHOUT WRITTEN PERMISSION FROM SENIOR INDUSTRIES, INC.

SPECIFICATIONS

ELECTRICAL

CONTACT RATING: 1A @ 250 VAC, 3A @ 125 VAC  
 CONTACT RESISTANCE: 20 MILLIOHMS MAX.  
 INSULATION RESISTANCE: 100 MEGOHMS MIN @ 500 VDC  
 DIELECTRIC STRENGTH: 1,500 VRMS

MECHANICAL

LIFE: 50,000 CYCLES

ENVIRONMENTAL

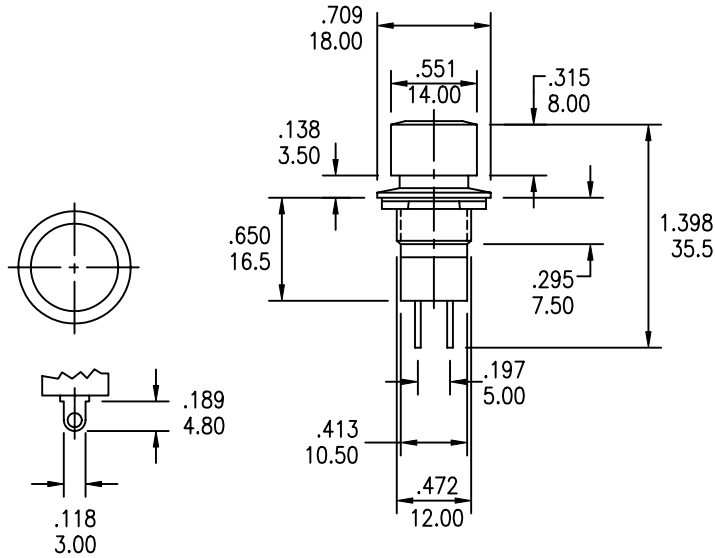
OPERATING TEMPERATURE: -30°C TO +85°C

MATERIAL

CASE: PMC  
 ACTUATOR: GLASS FILLED NYLON  
 BUSHING: ABS  
 CONTACTS/TERMINALS: COPPER ALLOY, SILVER PLATED

PART NUMBER BUILDER:

SERIES	MODEL NO.	CAP COLOR
SRP -	<input type="text"/> <input type="text"/> <input type="text"/> <input type="text"/> <input type="text"/>	<input type="text"/>
	R18-21A	1 - BLUE
	R18-21B	2 - RED
	R18-21C	3 - BLACK
		4 - BROWN
		5 - GREEN
		6 - WHITE
		7 - GRAY
		8 - ORANGE
		9 - YELLOW
		0 - VIOLET



MODEL NO.	SWITCHING POSITION	
R18-21A	OFF	ON
R18-21B	OFF	MOM
R18-21C	ON	MOM



**SENIOR INDUSTRIES, INC.**

DESIGNED:			SYM.	DATE:	DESCRIPTION OF REVISIONS:	DRAWN:	APPD:	TOLERANCE:	PART NO:	SRP-R18-21X-X
DRAWN:	RB	03/05/01	▲	03.23.01	New	RB	JF	TO 1 DECIMAL PLACE: ±.2 TO 2 DECIMAL PLACES: ±.10	TITLE:	PUSHBUTTON SWITCH
CHECKED:	GAT	01/31/07	▲	01.30.07	New indicator, Corr bushing & case material	GAT	JF		SHEET:	1 OF 1
APPROVED:	JF	01/31/07	▲	01.18.11	Removed UL94V-0 rating from case material	MAW	JF	AS ANGLES:	±1/2°	
3RD ANGLE			UNIT:	IN/mm	SCALE:	2:1	REV:	C		