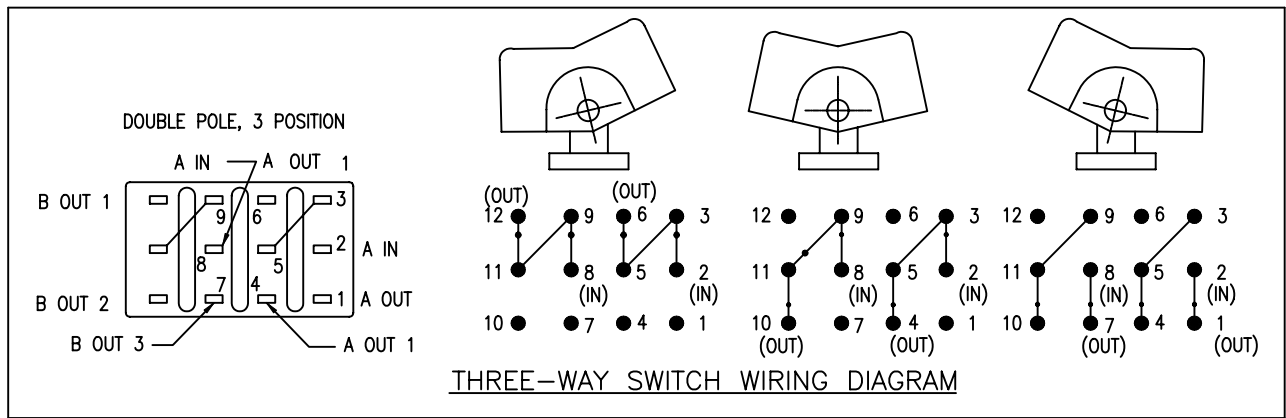
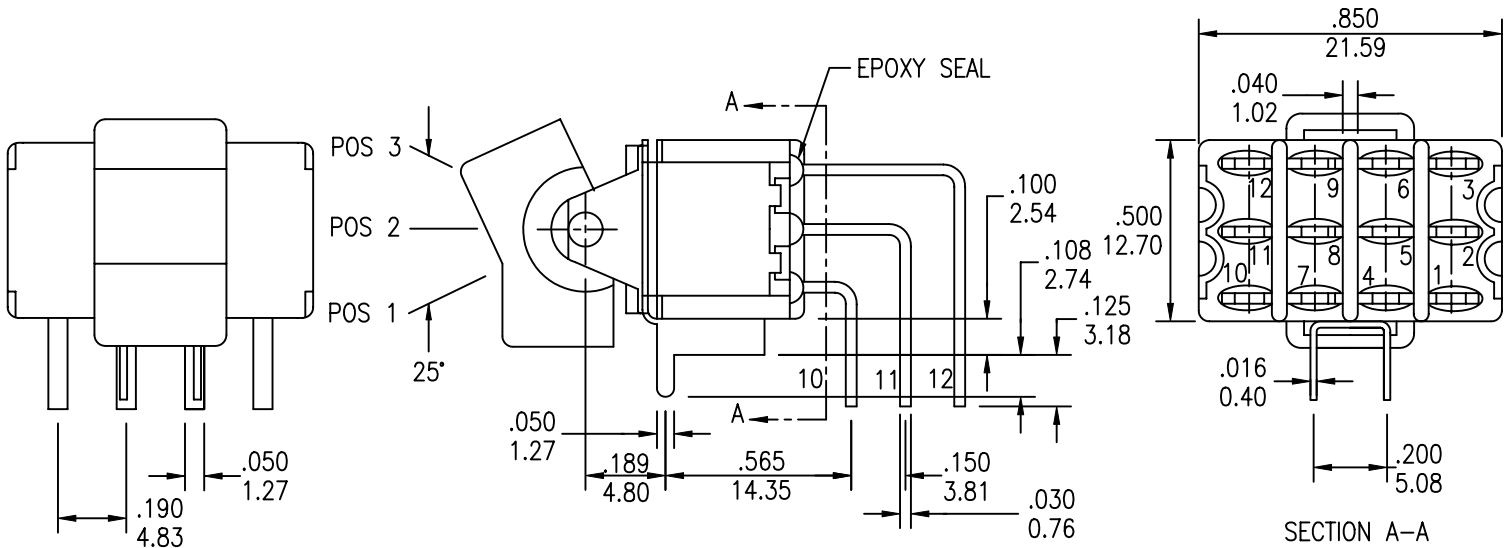


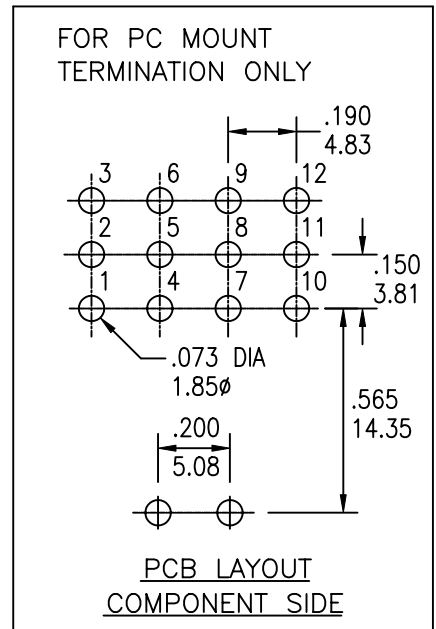
UNLESS OTHERWISE SPECIFIED, ALL DIMENSIONS ARE IN INCHES [MM].

TO 1 DECIMAL PLACE ±.2
 TO 2 DECIMAL PLACES ±.10
 AS ANGLES ±

ISSUE	DATE
A	03/15/01
B	03/27/01



MODEL NO.	SWITCHING POSITION		
845	ON	ON	ON
847	MOM	ON	MOM
849	ON	ON	MOM
CONN. TERMS	2-3, 5-6 8-9, 11-12	2-3, 5-4 8-9, 11-10	2-1, 5-4 8-7, 11-10



TITLE: ROCKER/PADDLE SWITCH		PART NO: SRPR-84X-XXXXX	
DATE: 03/05/01	DRAWN: RB	CHKD:	SCALE: 2/1
		SHEET: 1 OF 4	

UNLESS OTHERWISE SPECIFIED, ALL DIMENSIONS ARE IN INCHES [MM].

TO 1 DECIMAL PLACE ±.2
 TO 2 DECIMAL PLACES ±.10
 AS ANGLES ±

ISSUE	DATE
A	03/15/01
B	03/27/01

SPECIFICATIONS

ELECTRICAL

CONTACT RATING:

SILVER: 5A @ 120 VAC OR 28 VDC, 2A @ 250 VAC
 GOLD: 0.4 VA MAX. @ 20 V MAX. (AC OR DC)

CONTACT RESISTANCE: 10 MILLIOHMS MAX.

INSULATION RESISTANCE: 1,000 MEGOHMS MIN. AT 500 VDC

DIELECTRIC STRENGTH: 1,000 VRMS

MECHANICAL

LIFE: 50,000 CYCLES

ENVIRONMENTAL

OPERATING TEMPERATURE: -30°C TO +85°C

MATERIAL

CASE: DAP, UL 94V-0

HOUSING: STAINLESS STEEL

ACTUATOR: NYLON

BUSHING: BRASS, NICKEL PLATED

SUPPORT: BRASS, TIN PLATED

CONTACT/TERMINALS: COPPER ALLOY, SILVER OR GOLD PLATED

REGULATORY

UL AND CANADA RECOGNIZED COMPONENT. UL/CUL FILE NO. E173084.

SERIES	MODEL NO.	ACTUATOR	ACTUATOR COLOR	TERMINATION	CONTACT PLATING	SEAL
SRPR -	<input type="text" value="□□□"/>	- <input type="text" value="□"/>	<input type="text" value="□"/>	<input type="text" value="□"/>	<input type="text" value="□"/>	<input type="text" value="□"/>
	845	R11 (ROCKER)	1 - BLUE	C (PC MOUNT)	Q (SILVER)	BLANK
	847	R12 (ROCKER W/BEZEL)	2 - RED		R (GOLD)	E (EPOXY)
	849	R15 (LARGE ROCKER)	3 - BLACK			
		P13 (PADDLE)	4 - BROWN			
		P14 (PADDLE W/BEZEL)	5 - GREEN			
		P16 (LARGE PADDLE)	6 - WHITE			
			7 - GRAY			
			8 - ORANGE			
			9 - YELLOW			
			0 - VIOLET			



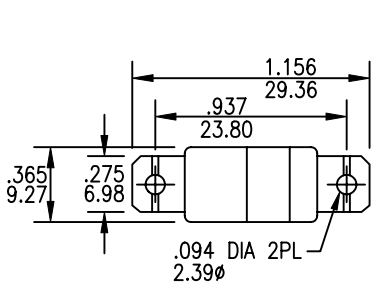
TITLE: ROCKER/PADDLE SWITCH			PART NO: SRPR-84X-XXXXX	
DATE: 03/05/01	DRAWN: RB	CHKD:	SCALE: N/A	SHEET: 2 OF 4

UNLESS OTHERWISE SPECIFIED, ALL DIMENSIONS ARE IN INCHES [MM].

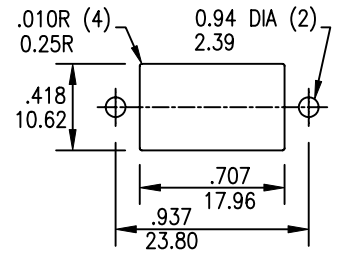
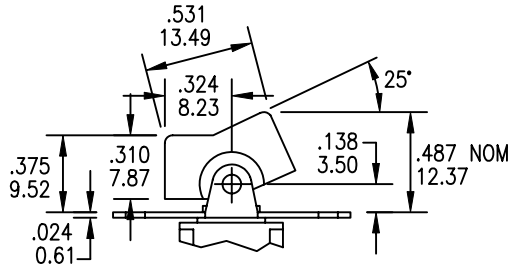
TO 1 DECIMAL PLACE ±.2
 TO 2 DECIMAL PLACES ±.10
 AS ANGLES ±

ISSUE	DATE
A	03/15/01
B	03/27/01

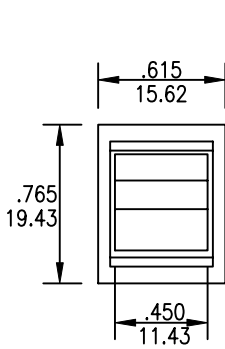
ACTUATOR OPTIONS



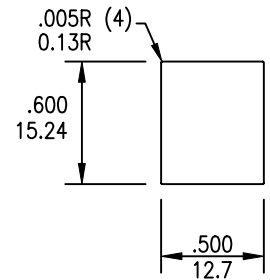
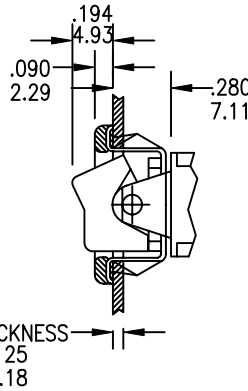
R11



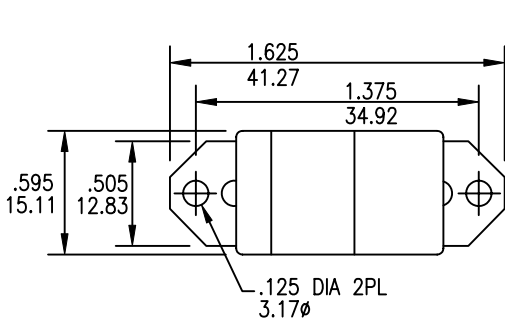
PANEL MOUNTING



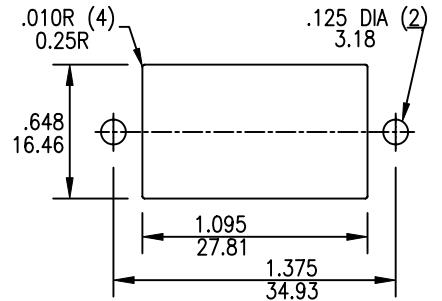
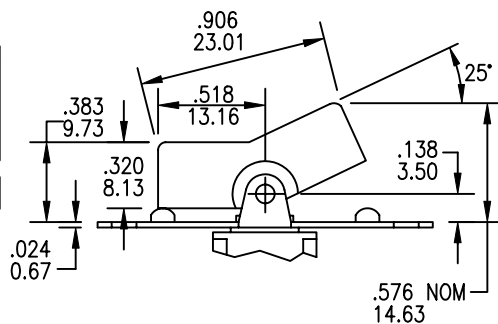
R12



PANEL MOUNTING



R15



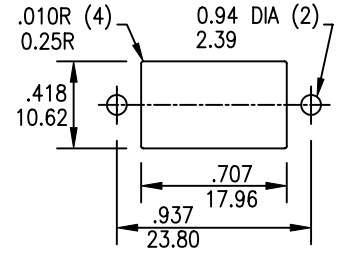
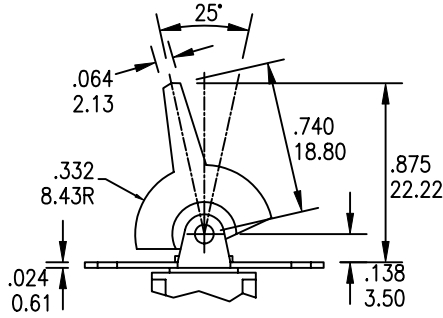
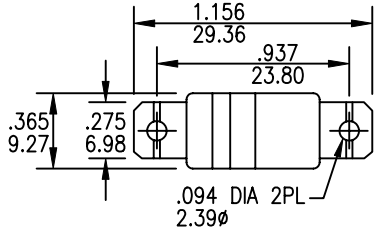
PANEL MOUNTING

UNLESS OTHERWISE SPECIFIED, ALL DIMENSIONS ARE IN INCHES [MM].

TO 1 DECIMAL PLACE ±.2
 TO 2 DECIMAL PLACES ±.10
 AS ANGLES ±

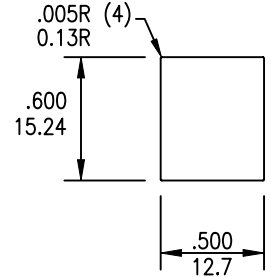
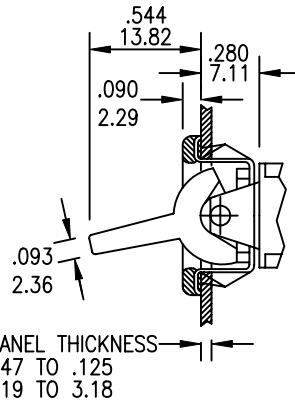
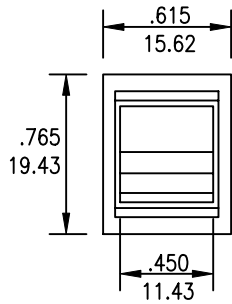
ISSUE	DATE
A	03/15/01
B	03/27/01

ACTUATOR OPTIONS



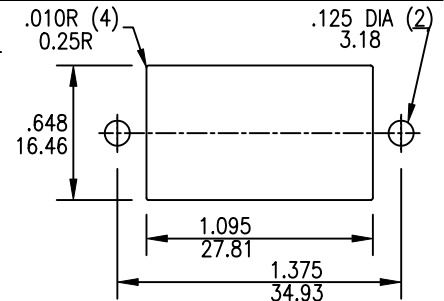
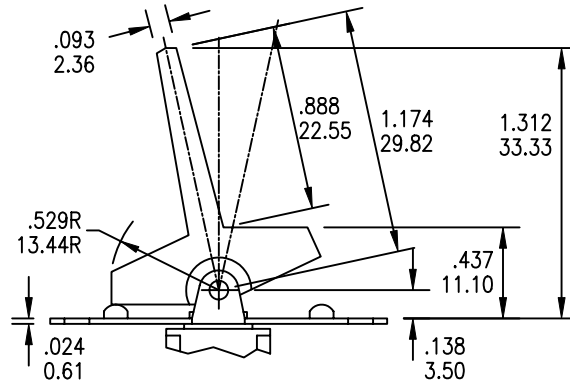
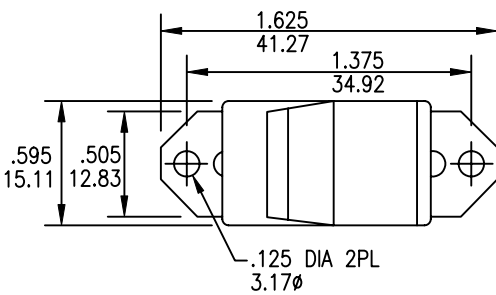
P13

PANEL MOUNTING



P14

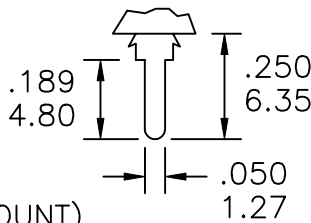
PANEL MOUNTING



P16

PANEL MOUNTING

TERMINATION



C (PC MOUNT)



TITLE: ROCKER/PADDLE SWITCH

PART NO: SRPR-84X-XXXXX

DATE: 03/05/01

DRAWN: RB

CHKD:

SCALE: N/A

SHEET: 4 OF 4