

COMPONENT SPECIFICATION

USE OR REPRODUCTION OF THIS DRAWING FOR THE PURPOSE OF MANUFACTURING THIS ARTICLE OR ANY ARTICLES SHOWN FOR ANY PURPOSE IS STRICTLY PROHIBITED WITHOUT WRITTEN PERMISSION FROM SENIOR INDUSTRIES, INC.

SPECIFICATIONS

ELECTRICAL

CONTACT RATING: 15A @ 125VAC, 6A @ 250VAC  
 CONTACT RESISTANCE: 10 MILLIOHMS MAX.  
 INSULATION RESISTANCE: 1,000 MEGOHMS MIN. AT 500 VDC  
 DIELECTRIC STRENGTH: 1,500 VRMS

MECHANICAL

LIFE: 10,000 CYCLES

ENVIRONMENTAL

OPERATING TEMPERATURE: -30°C TO +85°C




MATERIAL

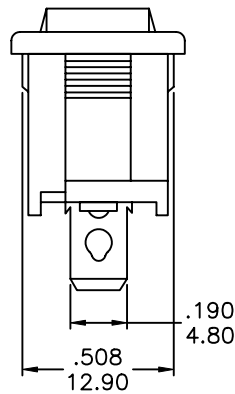
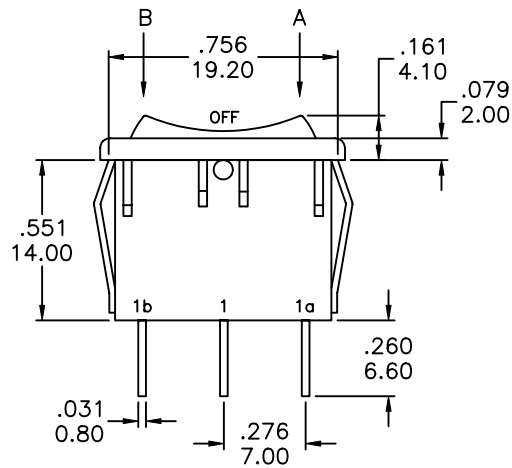
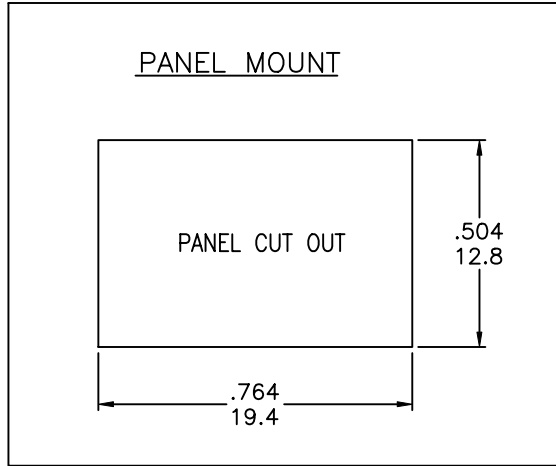
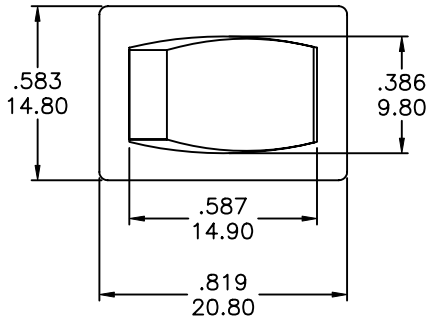
HOUSING: NYLON 6/6, UL94V-0  
 ACTUATOR: POLYCARBONATE  
 CONTACT/TERMINALS: COPPER ALLOY, SILVER PLATED

REGULATORY:

UL AND CANADA RECOGNIZED COMPONENT. UL/CUL FILE NO. E173084.

PART NUMBER BUILDER:

SERIES	MODEL NO.	ACTUATOR COLOR	HOUSING COLOR
SRPR -	 910		
		1 - BLUE	1 - BLUE
		2 - RED	2 - RED
		3 - BLACK	3 - BLACK
		4 - BROWN	4 - BROWN
		5 - GREEN	5 - GREEN
		6 - WHITE	6 - WHITE
		7 - GRAY	7 - GRAY
		8 - ORANGE	8 - ORANGE
		9 - YELLOW	9 - YELLOW
		0 - VIOLET	0 - VIOLET



CIRCUIT	SWITCHING TYPE
SPDT	ON - OFF - ON



**SENIOR INDUSTRIES, INC.**

DESIGNED:	DATE:	DESCRIPTION OF REVISIONS:	DRAWN:	APPD:	TOLERANCE:	PART NO:	TITLE:	
	10.10.01	NEW	RB	JF	TO 1 DECIMAL PLACE: ±.2	SRPR-910-XX	POWER ROCKER SWITCH	
DRAWN:	01.10.03	Corr contact resist fr 20 to 10 milliohms	RB	TF				
CHECKED:	01/10/03				TO 2 DECIMAL PLACES: ±.10			
APPROVED:	01/13/03				AS ANGLES: ±			
3RD ANGLE	UNIT:	IN(mm)	SCALE:	2:1	REV:	B	SHEET:	1 OF 1