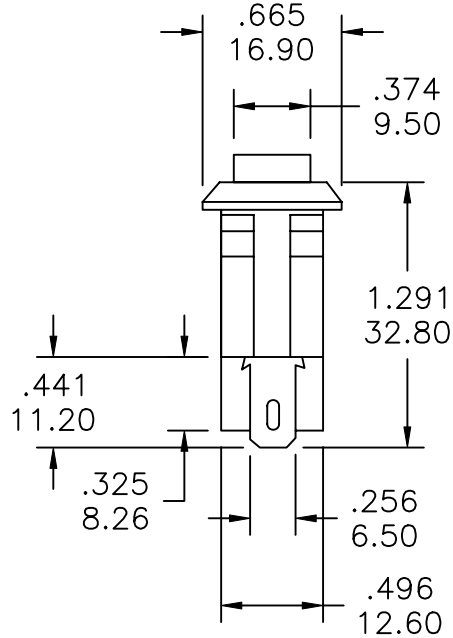
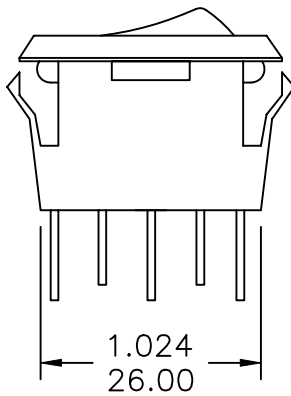
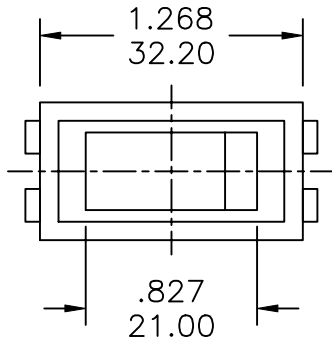


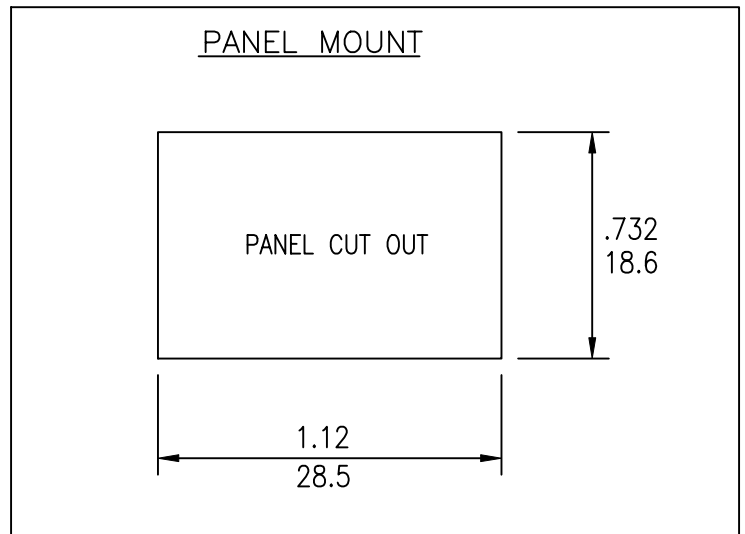
UNLESS OTHERWISE SPECIFIED, ALL DIMENSIONS ARE IN INCHES [MM].

TO 1 DECIMAL PLACE ±.2  
 TO 2 DECIMAL PLACES ±.10  
 AS ANGLES ±

ISSUE	DATE
A	02/05/02
B	01/10/03



CIRCUIT	SWITCHING TYPE
SPDT	ON - OFF - ON



UNLESS OTHERWISE SPECIFIED, ALL DIMENSIONS ARE IN INCHES [MM].

TO 1 DECIMAL PLACE ±  
 TO 2 DECIMAL PLACES ±  
 AS ANGLES ±

ISSUE	DATE
A	02/05/02
B	01/10/03

SPECIFICATIONS

ELECTRICAL:

CONTACT RATING: 15A @ 125VAC, 10A @ 250VAC  
 CONTACT RESISTANCE: 10 MILLIOHMS MAX.  
 INSULATION RESISTANCE: 1,000 MEGOHMS MIN. AT 500 VDC  
 DIELECTRIC STRENGTH: 1,000 VRMS

MECHANICAL:

LIFE: 10,000 CYCLES

ENVIRONMENTAL

OPERATING TEMPERATURE: -30°C TO +85°C

MATERIAL:

HOUSING: NYLON 6/6, UL94V-0  
 ACTUATOR: POLYCARBONATE  
 CONTACT/TERMINALS: COPPER ALLOY, SILVER PLATED

REGULATORY:

UL AND CANADA RECOGNIZED COMPONENT. UL/CUL FILE NO. E173084.

PART NUMBER BUILDER:

SERIES	MODEL NO.	ACTUATOR COLOR	HOUSING COLOR
SRPR -	<input type="text"/> <input type="text"/> <input type="text"/> <input type="text"/> <input type="text"/>	- <input type="text"/>	<input type="text"/>
	915	1 - BLUE 2 - RED 3 - BLACK 4 - BROWN 5 - GREEN 6 - WHITE 7 - GRAY 8 - ORANGE 9 - YELLOW 0 - VIOLET	1 - BLUE 2 - RED 3 - BLACK 4 - BROWN 5 - GREEN 6 - WHITE 7 - GRAY 8 - ORANGE 9 - YELLOW 0 - VIOLET



TITLE: POWER ROCKER SWITCH		PART NO: SRPR-915-XX	
DATE: 10/10/01	DRAWN: RB	CHKD: TF	SCALE: SHEET: 2 OF 2