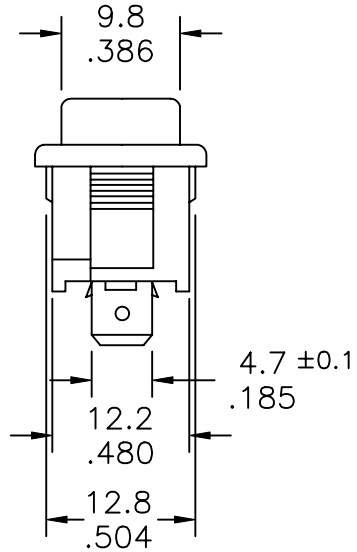
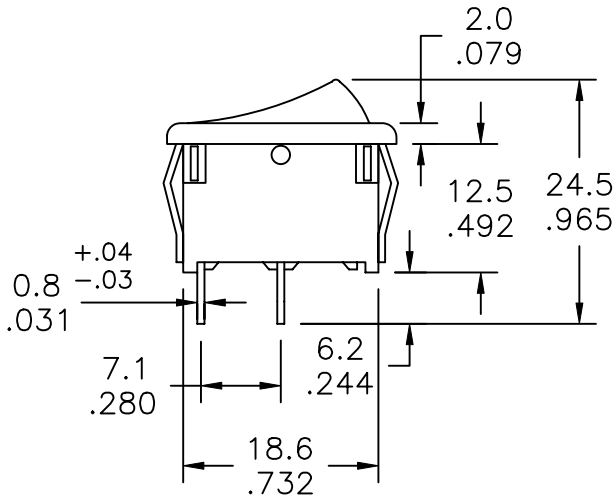
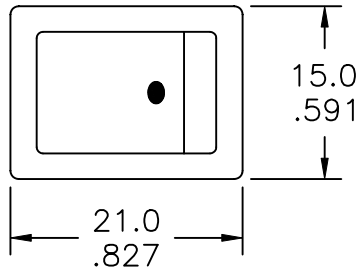


UNLESS OTHERWISE SPECIFIED, ALL DIMENSIONS ARE IN INCHES [MM].

TO 1 DECIMAL PLACE ±.40  
 TO 2 DECIMAL PLACES ±.25  
 AS ANGLES ±

ISSUE	DATE
B	11/10/06
C	10/04/07



MODEL NO.	SWITCHING TYPE	
R1933A	ON	OFF
R1933B	ON	ON
R1933C	MOM	OFF
R1933D	ON	MOM

PANEL MOUNT

DIM 'X'	PANEL THICKNESS
19.2 [.756]	.75-1.25 [.030-.049]
19.4 [.764]	1.25-2.00 [.049-.079]
19.8 [.780]	2.00-3.00 [.079-.118]

UNLESS OTHERWISE SPECIFIED, ALL DIMENSIONS ARE IN INCHES [MM].

TO 1 DECIMAL PLACE ±  
 TO 2 DECIMAL PLACES ±  
 AS ANGLES ±

ISSUE	DATE
B	11/10/06
C	10/04/07

SPECIFICATIONS

ELECTRICAL:

CONTACT RATING: 16A @ 125VAC, 10A @ 250VAC  
 CONTACT RESISTANCE: 30 MILLIOHMS MAX.  
 INSULATION RESISTANCE: 100 MEGOHMS MIN. AT 500 VDC  
 DIELECTRIC STRENGTH: 1,000 VAC FOR 1 MINUTE

MECHANICAL:

LIFE: 10,000 CYCLES  
 OPERATING FORCE: 800 ±300g

ENVIRONMENTAL:

OPERATING TEMPERATURE: -26°C TO +85°C

MATERIAL:

HOUSING: NYLON 6/6, UL 94V-0  
 ACTUATOR: POLYCARBONATE  
 BUSHING: BRASS, NICKEL PLATED  
 SUPPORT: BRASS, TIN PLATED  
 CONTACT/TERMINALS: COPPER ALLOY, SILVER PLATED  
 CONTACT SPRING: MUSIC WIRE

REGULATORY:

UL AND CANADA RECOGNIZED COMPONENT. UL/CUL FILE NO. E173084.

PART NUMBER BUILDER:

SERIES	MODEL NO.	ACTUATOR COLOR	HOUSING COLOR
SRPR -	<input type="text" value="□□□□□"/>	- <input type="text" value="□"/>	<input type="text" value="□"/>
	R1933A	1 - BLUE	1 - BLUE
	R1933B	2 - RED	2 - RED
	R1933C	3 - BLACK	3 - BLACK
	R1933D	4 - BROWN	4 - BROWN
		5 - GREEN	5 - GREEN
		6 - WHITE	6 - WHITE
		7 - GRAY	7 - GRAY
		8 - ORANGE	8 - ORANGE
		9 - YELLOW	9 - YELLOW
		0 - VIOLET	0 - VIOLET



TITLE: POWER ROCKER SWITCH		PART NO: SRPR-R1933X-XX	
DATE: 03/05/01	DRAWN: RB	CHKD:	SCALE: N/A
		SHEET: 2 OF 2	