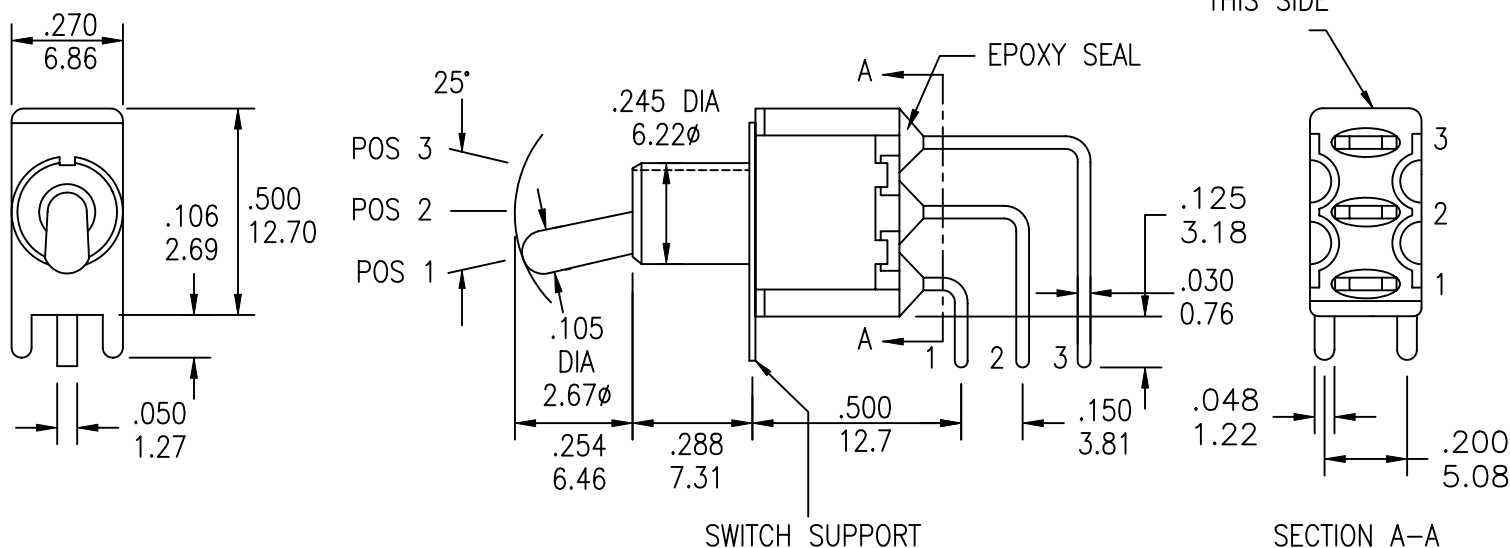



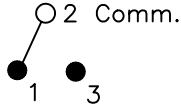


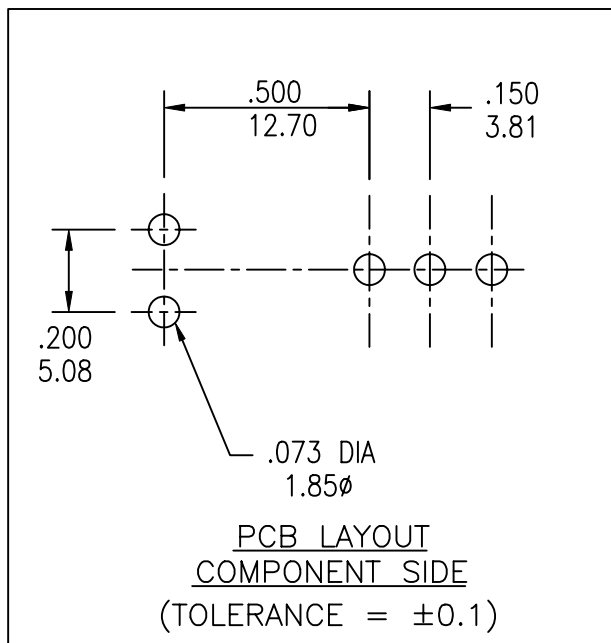
UNLESS OTHERWISE SPECIFIED, ALL DIMENSIONS ARE IN INCHES [MM].

TO 1 DECIMAL PLACE ±.2
 TO 2 DECIMAL PLACES ±.10
 AS ANGLES ±

ISSUE	DATE
E	01/16/06
F	05/03/07



MODEL NO.	SWITCHING POSITION		
			
8019L	ON	NONE	ON
8019LA	ON	NONE	MOM
8020L	ON	OFF	ON
8020LA	MOM	OFF	MOM
8020LB	ON	OFF	MOM
CONN. TERMS	2-3	OPEN	2-1
SCHMATIC	SPDT 		



UNLESS OTHERWISE SPECIFIED, ALL DIMENSIONS ARE IN INCHES [MM].
 TO 1 DECIMAL PLACE ±.2
 TO 2 DECIMAL PLACES ±.10
 AS ANGLES ±

ISSUE	DATE
E	01/16/06
F	05/03/07

SPECIFICATIONS

ELECTRICAL

CONTACT RATING:
 SILVER: 5A @ 120 VAC OR 28 VDC, 2A @ 250 VAC
 GOLD: 0.4 VA MAX. @ 20 V MAX. (AC OR DC)

CONTACT RESISTANCE: 10 MILLIOHMS MAX.
 INSULATION RESISTANCE: 1,000 MEGOHMS MIN. AT 500 VDC
 DIELECTRIC STRENGTH: 1,000 VRMS

MECHANICAL

LIFE: 40,000 CYCLES

ENVIRONMENTAL

OPERATING TEMPERATURE: -30°C TO +85°C

MATERIAL

CASE: DAP, UL 94V-0
 HOUSING: STAINLESS STEEL
 ACTUATOR: BRASS, CHROME PLATED
 BUSHING: BRASS, NICKEL PLATED
 SUPPORT: BRASS, TIN PLATED
 CONTACT/TERMINALS: COPPER ALLOY, SILVER OR GOLD PLATED

REGULATORY

UL AND CANADA RECOGNIZED COMPONENT. UL/CUL FILE NO. E173084.

PART NUMBER BUILDER

SERIES	MODEL NO.	ACTUATOR	BUSHING	TERMINATION	CONTACT PLATING	SEAL
SRPT	- □□□□□ -	□	□	□	□	□
	8019L	S (STD)	BLANK (Z/Z1 ONLY)	 C (PC MOUNT)	Q (SILVER) R (GOLD)	BLANK E (EPOXY)
	8019LA	T	E (STD - THD)			
	8020L	X (LONG)	M (STD - NON-THD)			
	8020LA	W (LONG)	F (THD)			
	8020LB	V (LONG)	N (NON-THD)			
		U (FLATTED)	G (HIGH TORQUE)			
		Z (LARGE TOGGLE)	H (HIGH TORQUE)			
		Z1 (LARGE)	J (LONG)			
		Y (PLASTIC)	K (METRIC)			
			L (SPLASH-PROOF)			



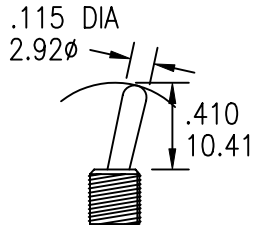
TITLE: SRPT 8019L/8020L TOGGLE SWITCHES			PART NO: SEE CHART		
DATE: 03/05/01	DRAWN: RB	CHKD:	SCALE: N/A	SHEET: 2 OF 5	

UNLESS OTHERWISE SPECIFIED, ALL DIMENSIONS ARE IN INCHES [MM].

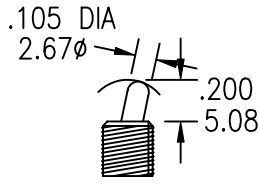
TO 1 DECIMAL PLACE ±.2
 TO 2 DECIMAL PLACES ±.10
 AS ANGLES ±

ISSUE	DATE
E	01/16/06
F	05/03/07

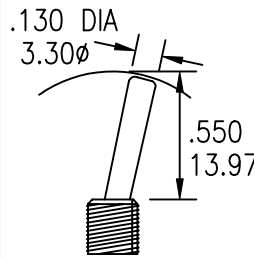
ACTUATOR OPTIONS



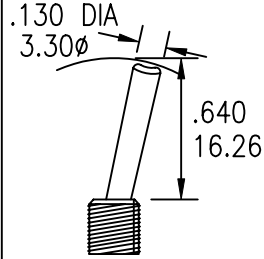
S (STD)



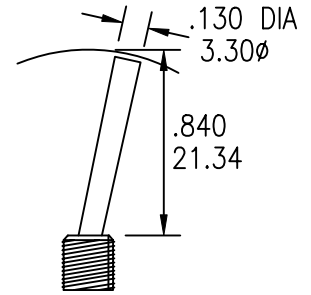
T



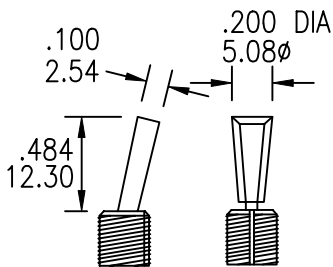
X (LONG)



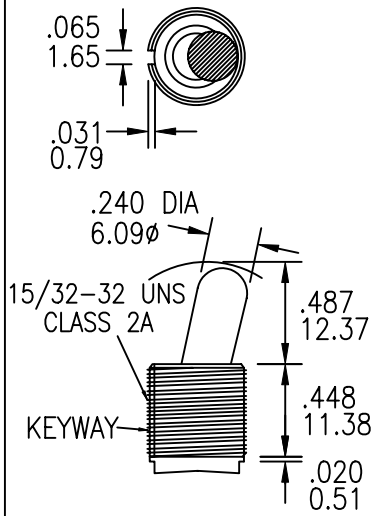
W (LONG)



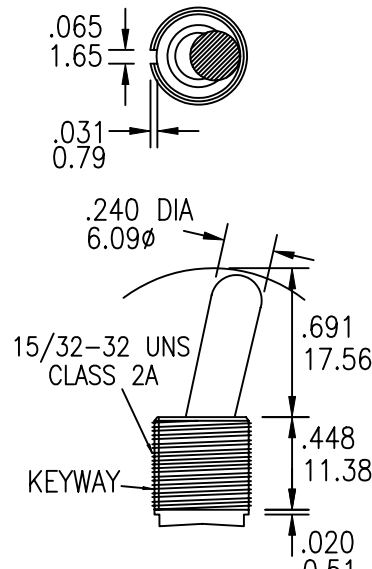
V (LONG)



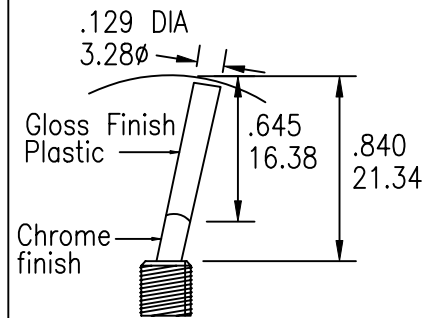
U (FLATTED)



Z (LARGE TOGGLE)

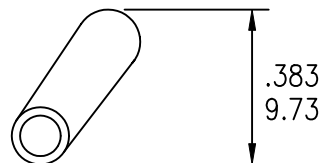


Z1

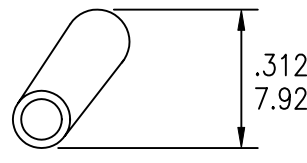


Y (PLASTIC)

NOTE: OPTIONAL TOGGLE CAP AVAILABLE.



STD FOR S OPTION



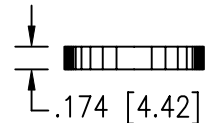
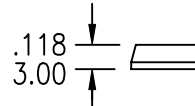
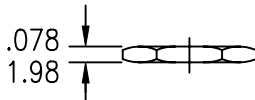
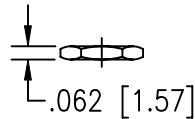
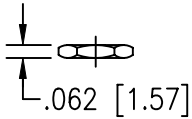
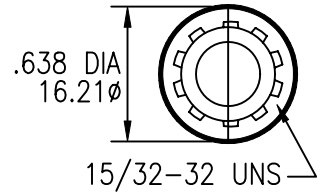
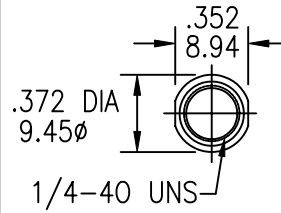
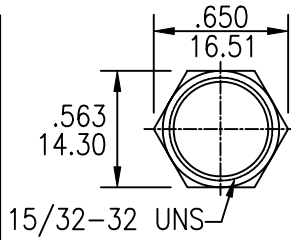
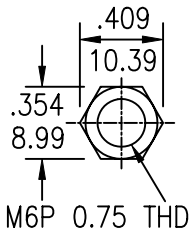
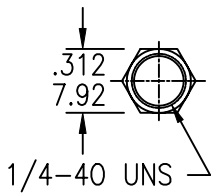
STD FOR T OPTION

UNLESS OTHERWISE SPECIFIED, ALL DIMENSIONS ARE IN INCHES [MM].

TO 1 DECIMAL PLACE ±.2
 TO 2 DECIMAL PLACES ±.10
 AS ANGLES ±

ISSUE	DATE
E	01/16/06
F	05/03/07

STANDARD NUTS



STD FOR E, F, G, H, AND L OPTIONS

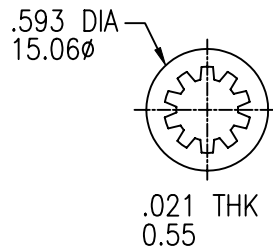
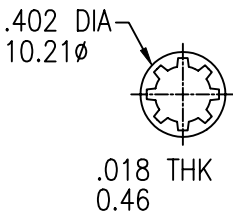
STD FOR K OPTION

STD FOR Z AND Z1 OPTIONS

DRESS NUT

KNURLED

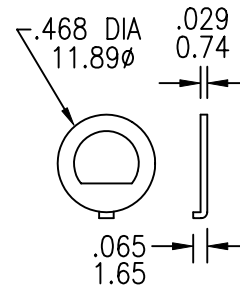
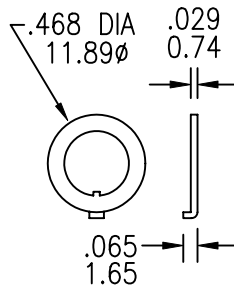
LOCK WASHER



STD

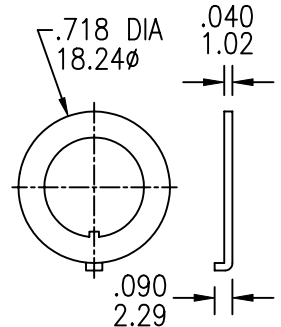
STD FOR Z AND Z1 OPTIONS

LOCKING RING



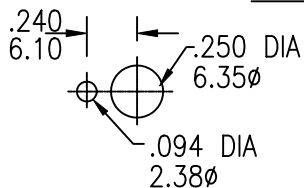
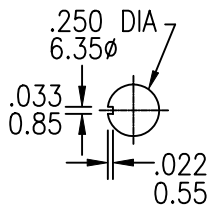
STD

STD FOR G OPTION

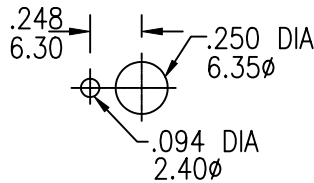
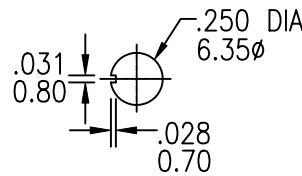


STD FOR Z AND Z1 OPTIONS.

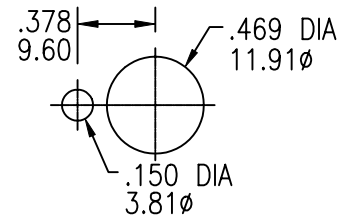
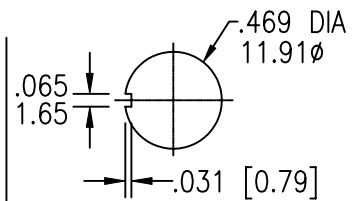
PANEL MOUNTING



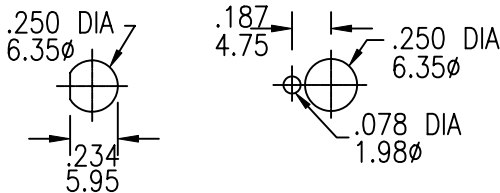
FOR BUSHING E, M, F, N, AND H OPTIONS



FOR BUSHING K OPTION



FOR ACTUATOR Z AND Z1 OPTIONS



FOR BUSHING G, J, AND L OPTIONS