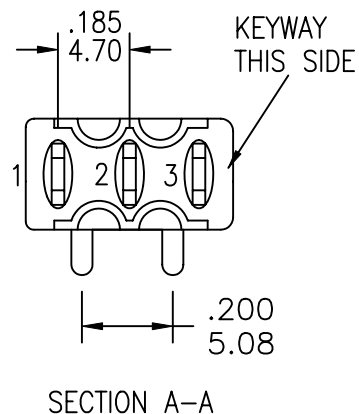
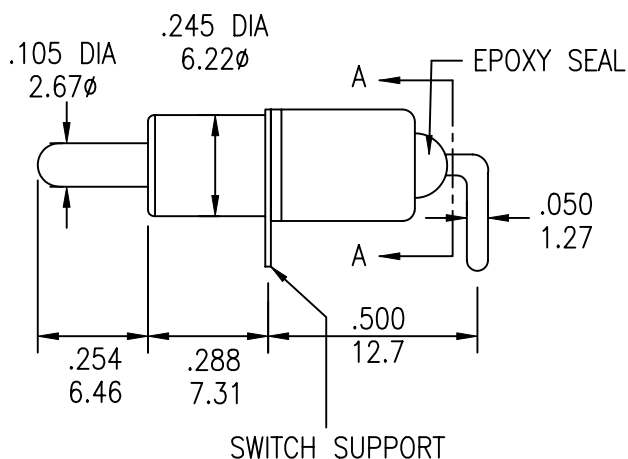
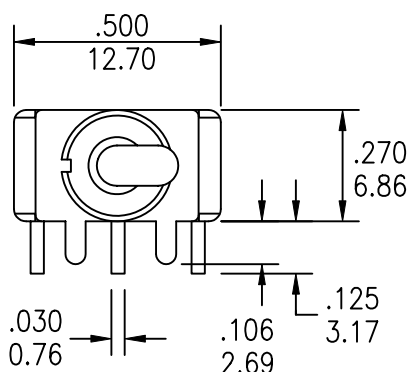



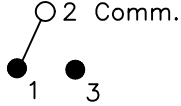


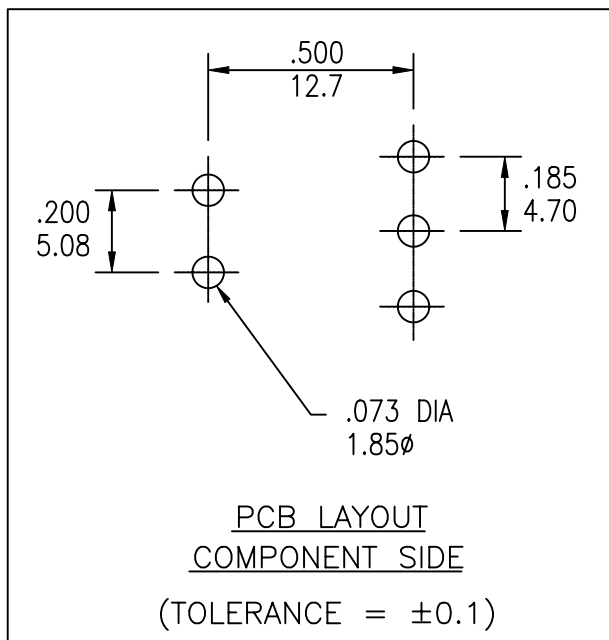
UNLESS OTHERWISE SPECIFIED, ALL DIMENSIONS ARE IN INCHES [MM].

TO 1 DECIMAL PLACE ±.2
 TO 2 DECIMAL PLACES ±.10
 AS ANGLES ±

| ISSUE | DATE |
|-------|----------|
| A | 03/09/01 |
| B | 03/28/01 |
| C | 09/30/04 |



| MODEL NO. | SWITCHING POSITION | | |
|-------------|------------------------------------------------------------------------------------------|-------------------------------------------------------------------------------------|-------------------------------------------------------------------------------------|
| |  |  |  |
| 8019 | ON | NONE | ON |
| 8019A | ON | NONE | MOM |
| 8020 | ON | OFF | ON |
| 8020A | MOM | OFF | MOM |
| 8020B | ON | OFF | MOM |
| CONN. TERMS | 2-3 | OPEN | 2-1 |
| SCHEMATIC | SPDT  | | |



UNLESS OTHERWISE SPECIFIED, ALL DIMENSIONS ARE IN INCHES [MM].
 TO 1 DECIMAL PLACE ±.2
 TO 2 DECIMAL PLACES ±.10
 AS ANGLES ±

| ISSUE | DATE |
|-------|----------|
| A | 03/05/01 |
| B | 03/28/01 |
| C | 09/30/04 |

SPECIFICATIONS

ELECTRICAL

CONTACT RATING:
 SILVER: 5A @ 120 VAC OR 28 VDC, 2A @ 250 VAC
 GOLD: 0.4 VA MAX. @ 20 V MAX. (AC OR DC)
 CONTACT RESISTANCE: 10 MILLIOHMS MAX.
 INSULATION RESISTANCE: 1,000 MEGOHMS MIN. AT 500 VDC
 DIELECTRIC STRENGTH: 1,000 VRMS

MECHANICAL

LIFE: 40,000 CYCLES

ENVIRONMENTAL

OPERATING TEMPERATURE: -30°C TO +85°C

MATERIAL

CASE: DAP, UL 94V-0
 HOUSING: STAINLESS STEEL
 ACTUATOR: BRASS, CHROME PLATED
 BUSHING: BRASS, NICKEL PLATED
 SUPPORT: BRASS, TIN PLATED
 CONTACT/TERMINALS: COPPER ALLOY, SILVER OR GOLD PLATED

REGULATORY

UL AND CANADA RECOGNIZED COMPONENT. UL/CUL FILE NO. E173084.

PART NUMBER BUILDER:

| SERIES | MODEL NO. | ACTUATOR | BUSHING | TERMINATION | CONTACT PLATING | SEAL |
|--------|-----------|------------------|--------------------|--------------|-----------------|-----------|
| SRPT | □□□□□ | □ | □ | □ | □ | □ |
| | 8019 | S (STD) | BLANK (Z/Z1 ONLY) | | Q (SILVER) | BLANK |
| | 8019A | T | E (STD - THD) | | R (GOLD) | E (EPOXY) |
| | 8020 | T1 | M (STD - NON-THD) | C (PC MOUNT) | | |
| | 8020A | X (LONG) | E1 (STD - THD) | | | |
| | 8020B | W (LONG) | M1 (STD - NON-THD) | | | |
| | | V (LONG) | F (THD) | | | |
| | | U (FLATTED) | N (NON-THD) | | | |
| | | Z (LARGE TOGGLE) | G (HIGH TORQUE) | | | |
| | | Z1 (LARGE) | H (HIGH TORQUE) | | | |
| | | Y (PLASTIC) | J (LONG) | | | |
| | | | K (METRIC) | | | |
| | | | L (SPASH-PROOF) | | | |



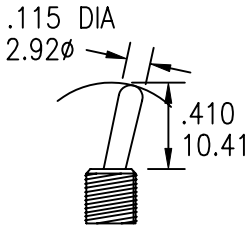
| | | | | | |
|------------------------------------------|--------------|-------|-----------------------|------------------|--|
| TITLE: SRPT 8019/8020 TOGGLE SWITCHES | | | PART NO: SEE CHART | | |
| DATE: 03/05/01 | DRAWN: RB | CHKD: | SCALE: N/A | SHEET: 2 OF 5 | |

UNLESS OTHERWISE SPECIFIED, ALL DIMENSIONS ARE IN INCHES [MM].

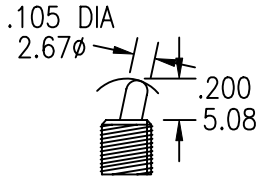
TO 1 DECIMAL PLACE ±.2
 TO 2 DECIMAL PLACES ±.10
 AS ANGLES ±

| ISSUE | DATE |
|-------|----------|
| A | 03/05/01 |
| B | 03/28/01 |
| C | 09/30/04 |

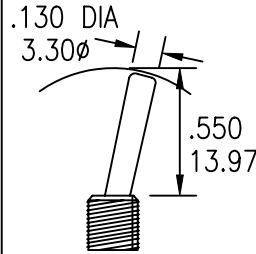
ACTUATOR OPTIONS



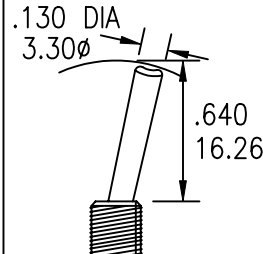
S (STD)



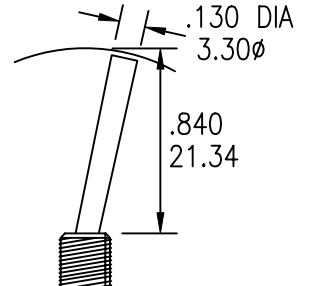
T



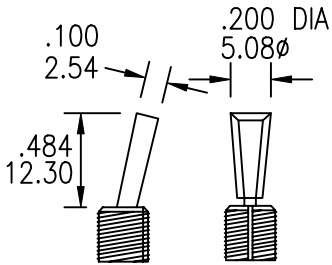
X (LONG)



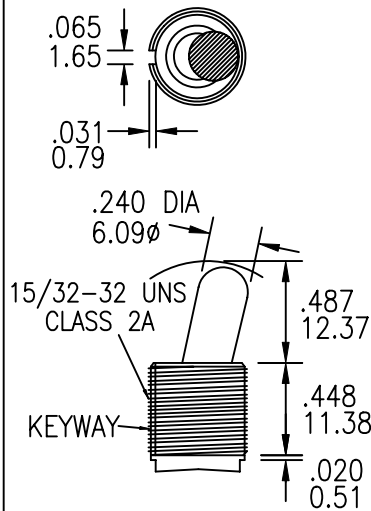
W (LONG)



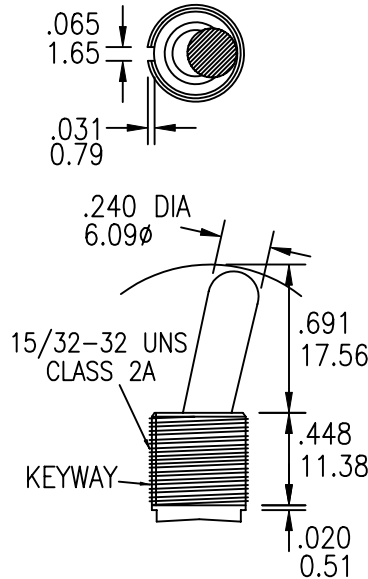
V (LONG)



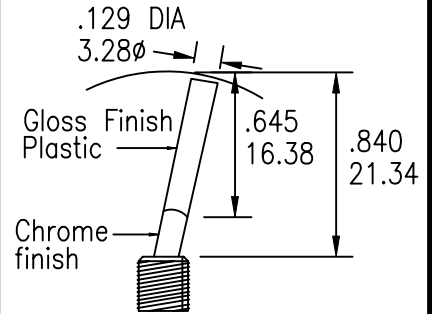
U (FLATTED)



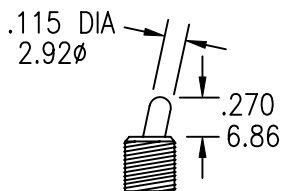
Z (LARGE TOGGLE)



Z1

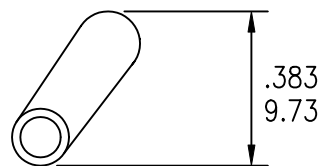


Y (PLASTIC)

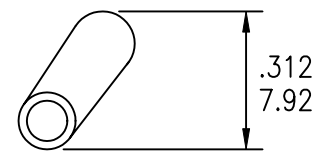


T1

NOTE: OPTIONAL TOGGLE CAP AVAILABLE.



STD FOR S OPTION



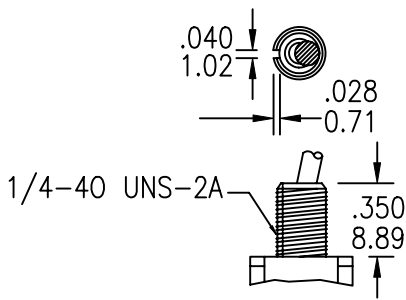
STD FOR T OPTION

UNLESS OTHERWISE SPECIFIED, ALL DIMENSIONS ARE IN INCHES [MM].

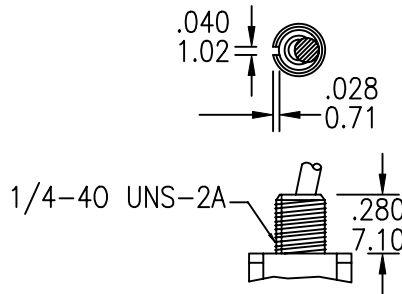
TO 1 DECIMAL PLACE ±.2
 TO 2 DECIMAL PLACES ±.10
 AS ANGLES ±

| ISSUE | DATE |
|-------|----------|
| A | 03/05/01 |
| B | 03/28/01 |
| C | 09/30/04 |

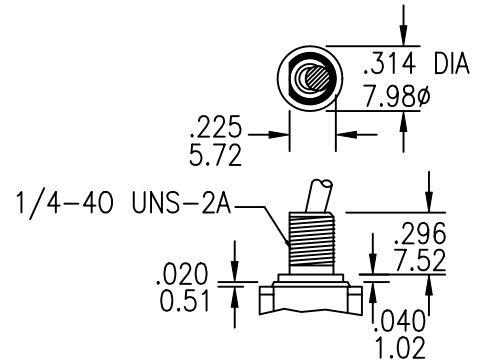
BUSHING OPTIONS



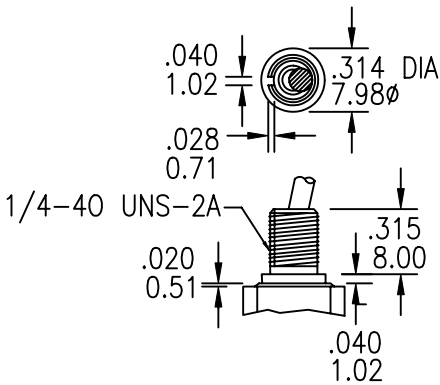
E (STD THD)
 M (STD NON-THD)



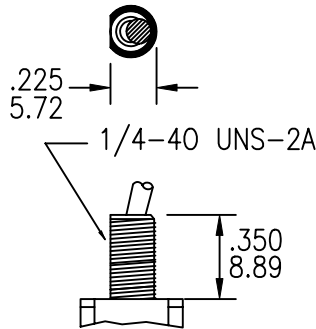
F (THD)
 N (NON-THD)



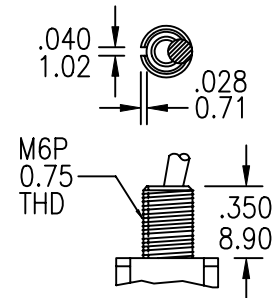
G (HIGH TORQUE)



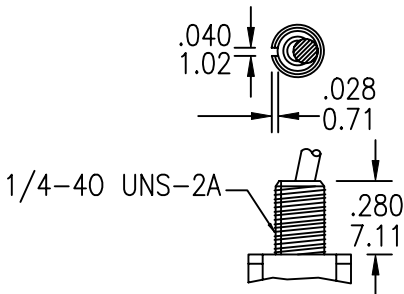
H (HIGH TORQUE)



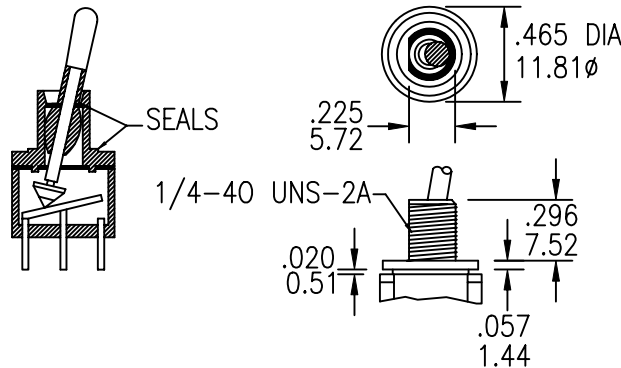
J (LONG)



K (METRIC)

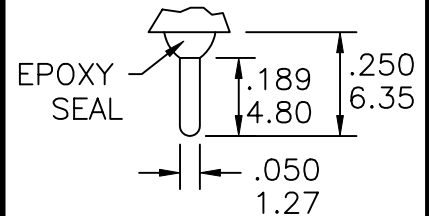


E1 (STD - THD)
 M1 (STD - NON-THD)



L (SPLASH-PROOF)

TERMINATION



.030 (0.76) THK.

C (PC MOUNT)



TITLE:
 SRPT 8019/8020 TOGGLE SWITCHES

PART NO:
 SEE CHART

DATE:
 03/05/01

DRAWN:
 RB

CHKD:

SCALE:
 N/A

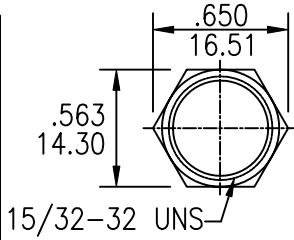
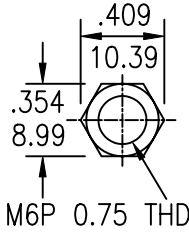
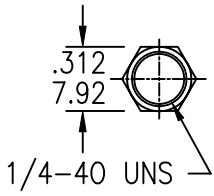
SHEET:
 4 OF 5

UNLESS OTHERWISE SPECIFIED, ALL DIMENSIONS ARE IN INCHES [MM].

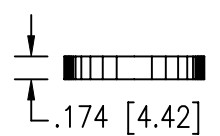
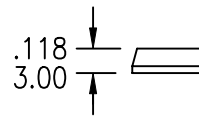
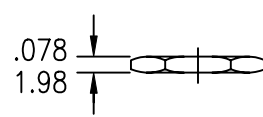
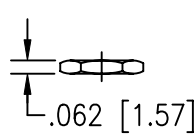
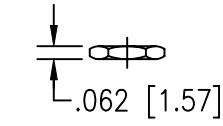
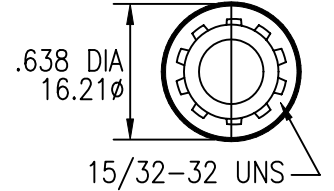
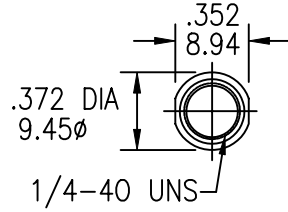
TO 1 DECIMAL PLACE ±.2
 TO 2 DECIMAL PLACES ±.10
 AS ANGLES ±

| ISSUE | DATE |
|-------|----------|
| A | 03/05/01 |
| B | 03/28/01 |
| C | 09/30/04 |

STANDARD NUTS



OPTIONAL NUTS



STD FOR E, F, G, H, AND L OPTIONS

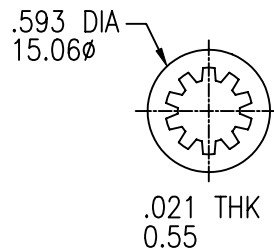
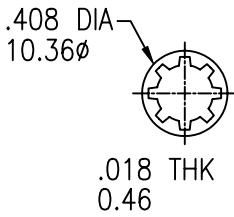
STD FOR K OPTION

STD FOR Z AND Z1 OPTIONS

DRESS NUT

KNURLED

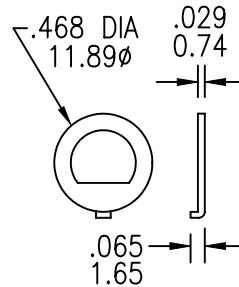
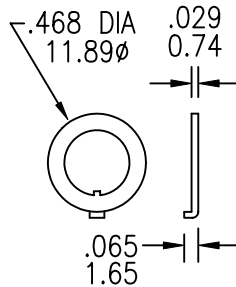
LOCK WASHER



STD

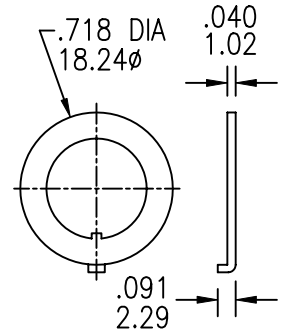
STD FOR Z AND Z1 OPTIONS

LOCKING RING



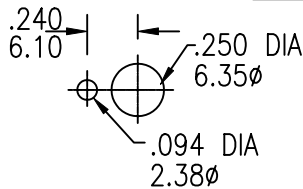
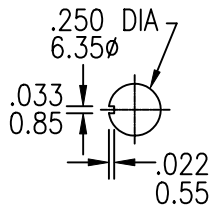
STD

STD FOR G AND J OPTIONS.

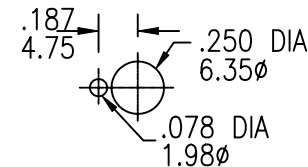
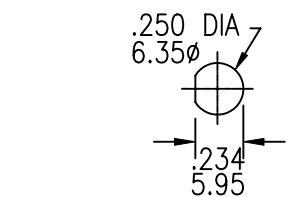
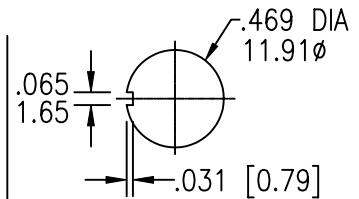
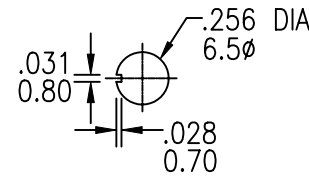


STD FOR Z AND Z1 OPTIONS.

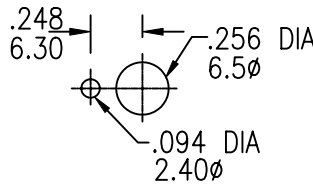
PANEL MOUNTING



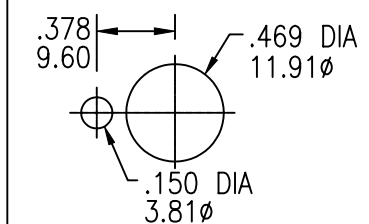
FOR BUSHING E, M, F, N, AND H OPTIONS



FOR BUSHING G, J, AND L OPTIONS



FOR BUSHING K OPTION



FOR ACTUATOR Z AND Z1 OPTIONS