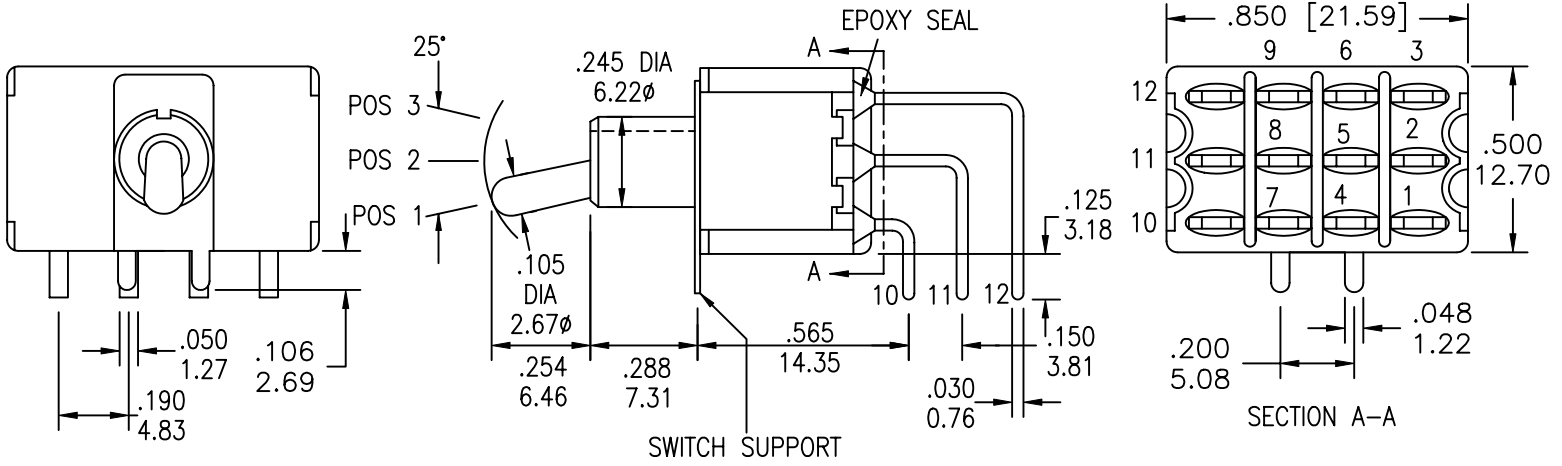


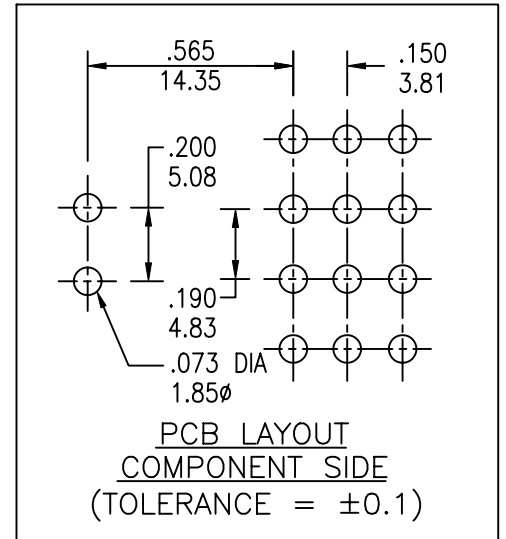
UNLESS OTHERWISE SPECIFIED, ALL DIMENSIONS ARE IN INCHES [MM].

TO 1 DECIMAL PLACE ±.2  
 TO 2 DECIMAL PLACES ±.10  
 AS ANGLES ±

ISSUE	DATE
B	03/28/01
C	09/30/04



MODEL NO.	SWITCHING POSITION		
8401	ON	NONE	ON
8403	ON	NONE	MOM
8405	ON	OFF	ON
8407	MOM	OFF	MOM
8409	ON	OFF	MOM
CONN. TERMS	2-3, 5-6 8-9, 11-12	OPEN	2-1, 5-4 8-7, 11-10
SCHMATIC	<p>4PDT 1 2 3 4 5 6 7 8 9 10 11 12                  Comm. 2-3, 5-6, 8-9, 11-12</p>		



UNLESS OTHERWISE SPECIFIED, ALL DIMENSIONS ARE IN INCHES [MM].

TO 1 DECIMAL PLACE ±.2  
 TO 2 DECIMAL PLACES ±.10  
 AS ANGLES ±

ISSUE	DATE
B	03/28/01
C	09/30/04

SPECIFICATIONS

ELECTRICAL

CONTACT RATING:

SILVER: 5A @ 120 VAC OR 28 VDC, 2A @ 250 VAC

GOLD: 0.4 VA MAX. @ 20 V MAX. (AC OR DC)

CONTACT RESISTANCE: 10 MILLIOHMS MAX.

INSULATION RESISTANCE: 1,000 MEGOHMS MIN. AT 500 VDC

DIELECTRIC STRENGTH: 1,000 VRMS

MECHANICAL

LIFE: 40,000 CYCLES

ENVIRONMENTAL

OPERATING TEMPERATURE: -30°C TO +85°C

MATERIAL

CASE: DAP, UL94V-0

HOUSING: STAINLESS STEEL

ACTUATOR: BRASS, CHROME PLATED

BUSHING: BRASS, NICKEL PLATED

SUPPORT: BRASS, TIN PLATED

CONTACT/TERMINALS: COPPER ALLOY, SILVER OR GOLD PLATED

REGULATORY

UL AND CANADA RECOGNIZED COMPONENT. UL/CUL FILE NO. E173084.

PART NUMBER BUILDER:

SERIES	MODEL NO.	ACTUATOR	BUSHING	TERMINATION	CONTACT PLATING	SEAL
SRPT	- <input type="text"/> <input type="text"/> <input type="text"/> <input type="text"/> <input type="text"/> <input type="text"/> -	<input type="text"/>	<input type="text"/>	<input type="text"/>	<input type="text"/>	<input type="text"/>
	8401	S (STD)	BLANK (Z/Z1 ONLY)	C (PC MOUNT)	Q (SILVER)	BLANK
	8403	T	E (STD - THD)		R (GOLD)	E (EPOXY)
	8405	T1	M (STD - NON-THD)			
	8407	X (LONG)	E1 (STD - THD)			
	8409	W (LONG)	M1 (STD - NON-THD)			
		V (LONG)	F (THD)			
		U (FLATTED)	N (NON-THD)			
		Z (LARGE TOGGLE)	G (HIGH TORQUE)			
		Z1 (LARGE)	H (HIGH TORQUE)			
		Y (PLASTIC)	J (LONG)			
			K (METRIC)			
			L (SPLASH-PROOF)			

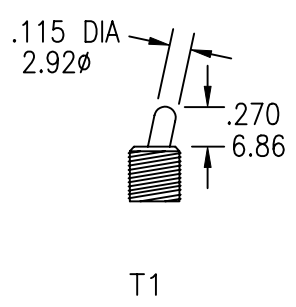
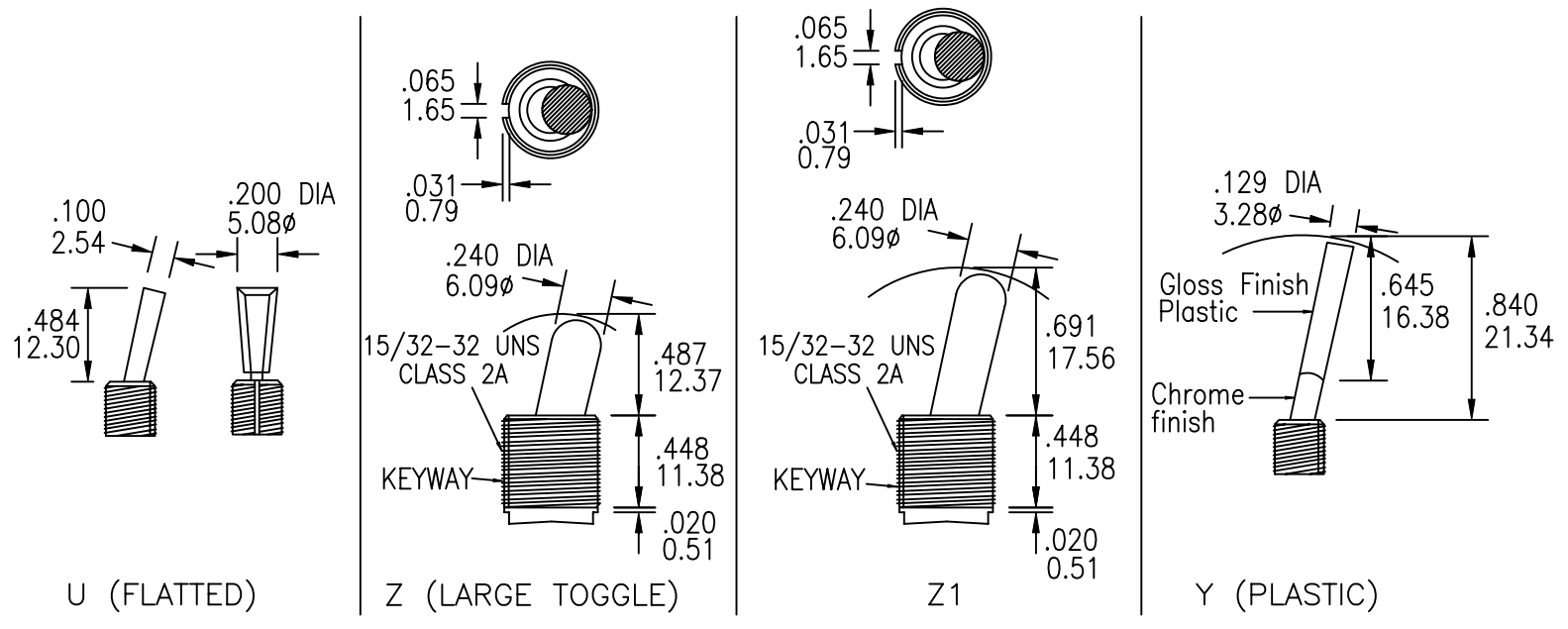
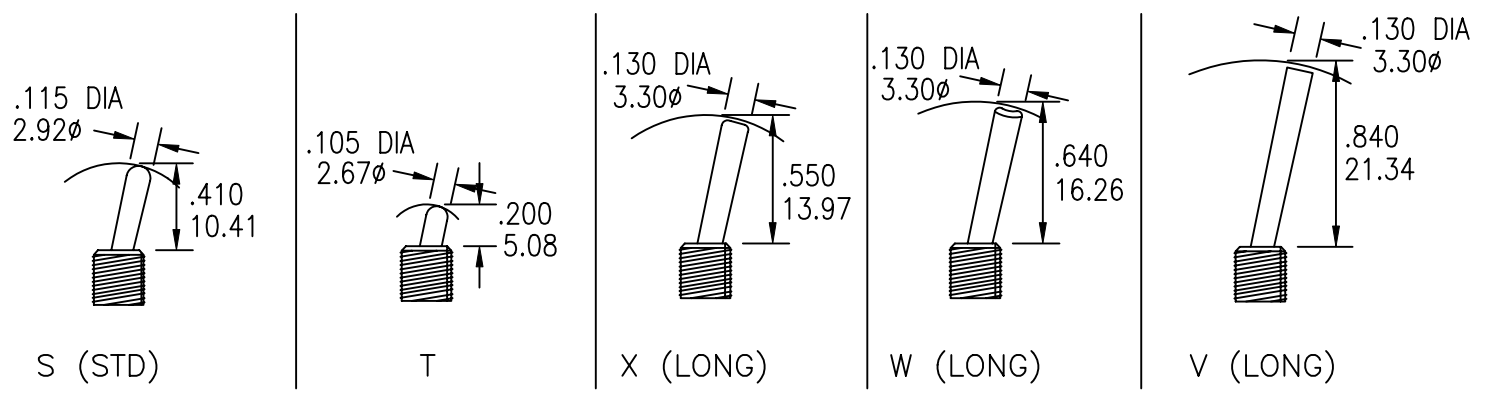


TITLE: TOGGLE SWITCHES		PART NO: SRPT-84XX-XXXXX		
DATE: 03/05/01	DRAWN: RB	CHKD:	SCALE: N/A	SHEET: 2 OF 5

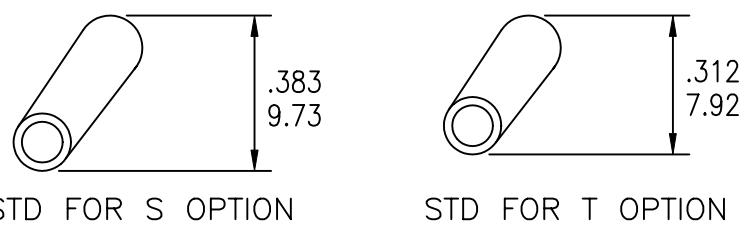
UNLESS OTHERWISE SPECIFIED, ALL DIMENSIONS ARE IN INCHES [MM].  
 TO 1 DECIMAL PLACE ±.2  
 TO 2 DECIMAL PLACES ±.10  
 AS ANGLES ±

ISSUE	DATE
B	03/28/01
C	09/30/04

ACTUATOR OPTIONS



NOTE: OPTIONAL TOGGLE CAP AVAILABLE.

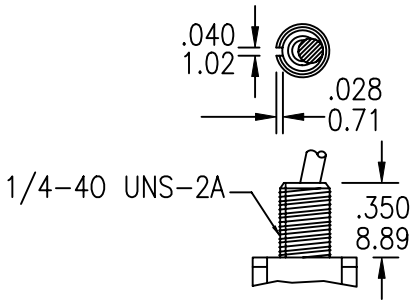


UNLESS OTHERWISE SPECIFIED, ALL DIMENSIONS ARE IN INCHES [MM].

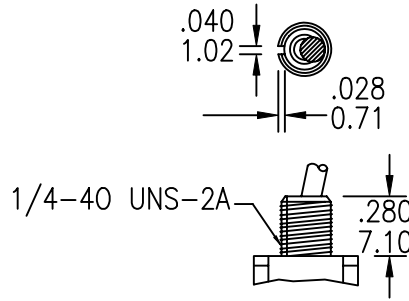
TO 1 DECIMAL PLACE ±.2  
 TO 2 DECIMAL PLACES ±.10  
 AS ANGLES ±

ISSUE	DATE
B	03/28/01
C	09/30/04

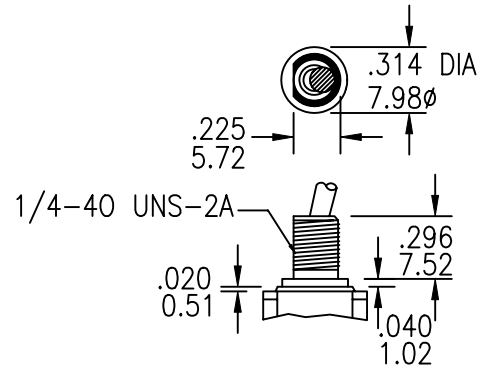
BUSHING OPTIONS



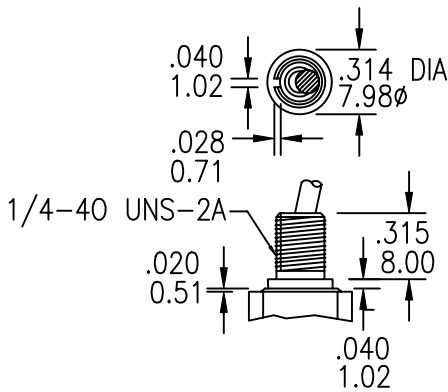
E (STD NON-THD)  
 M (STD THD)



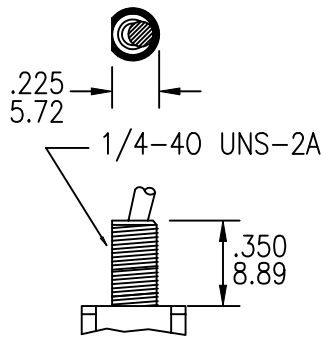
F (THD)  
 N (NON-THD)



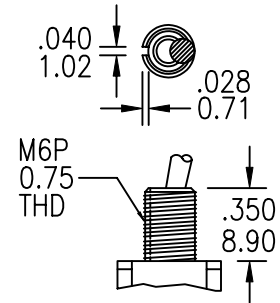
G (HIGH TORQUE)



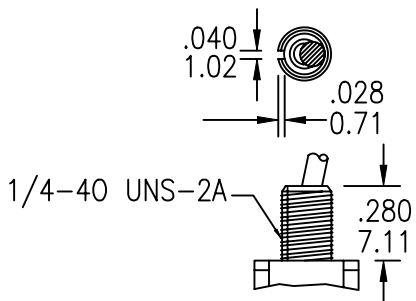
H (HIGH TORQUE)



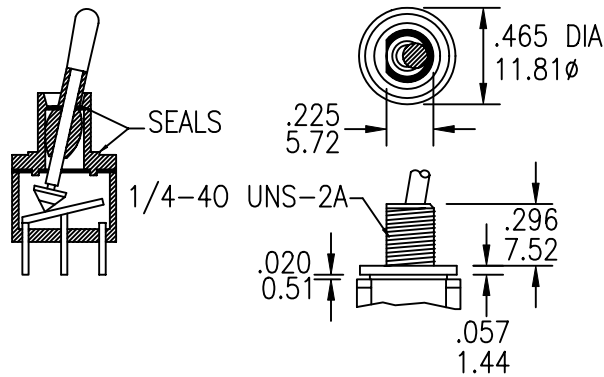
J (LONG)



K (METRIC)

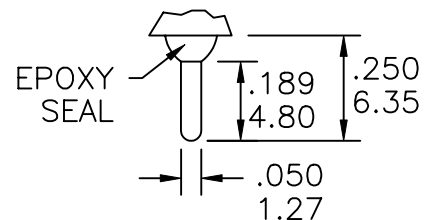


E1 (STD - THD)  
 M1 (STD - NON-THD)



L (SPLASH-PROOF)

TERMINATION



.030 (0.76) THK.

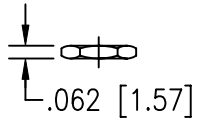
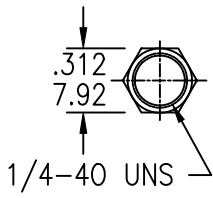
C (PC MOUNT)

UNLESS OTHERWISE SPECIFIED, ALL DIMENSIONS ARE IN INCHES [MM].

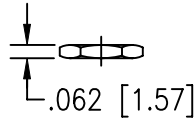
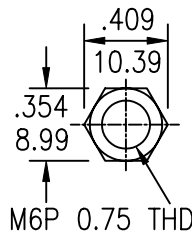
TO 1 DECIMAL PLACE ±.2  
 TO 2 DECIMAL PLACES ±.10  
 AS ANGLES ±

ISSUE	DATE
B	03/28/01
C	09/30/04

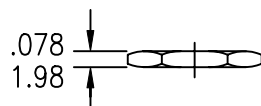
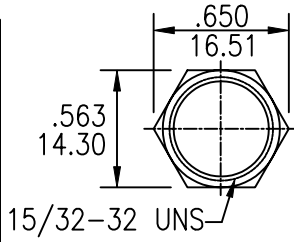
STANDARD NUTS



STD FOR E, F, G,  
H, AND L OPTIONS

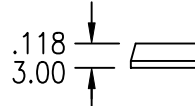
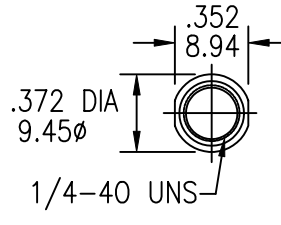


STD FOR K OPTION

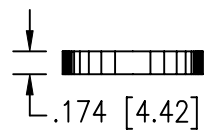
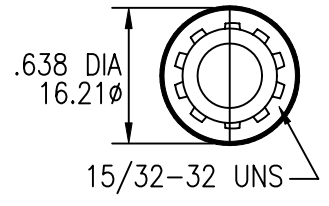


STD FOR Z  
AND Z1 OPTIONS

OPTIONAL NUTS

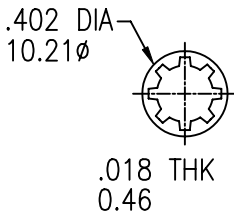


DRESS NUT

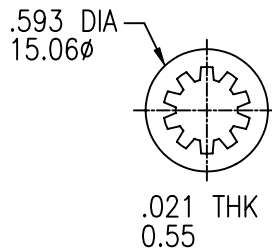


KNURLED

LOCK WASHER

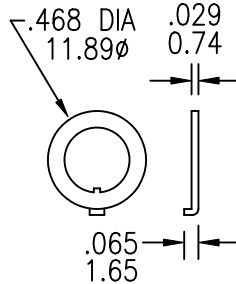


STD

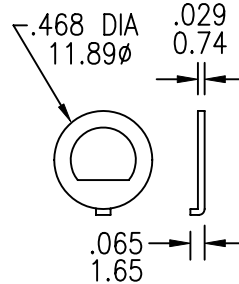


STD FOR Z AND Z1 OPTIONS

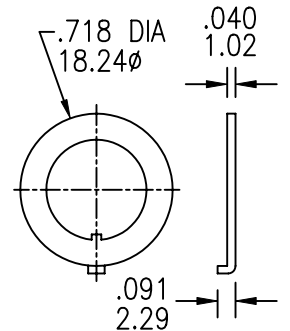
LOCKING RING



STD

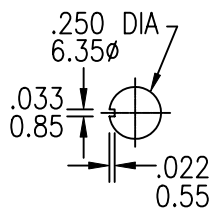


STD FOR G  
AND J OPTIONS.

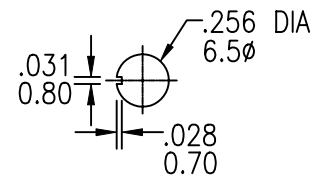
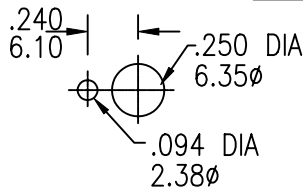


STD FOR Z  
AND Z1 OPTIONS.

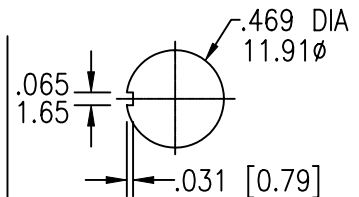
PANEL MOUNTING



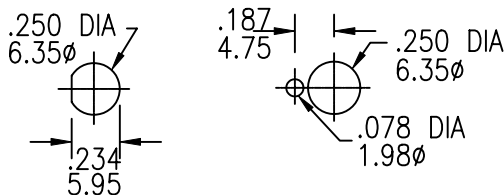
FOR BUSHING E, M, F, N, AND H OPTIONS



FOR BUSHING K OPTION



FOR ACTUATOR Z AND Z1 OPTIONS



FOR BUSHING G, J, AND L OPTIONS



TITLE: TOGGLE SWITCHES

PART NO: SRPT-84XX-XXXX

DATE: 03/05/01

DRAWN: RB

CHKD:

SCALE: N/A

SHEET: 5 OF 5