

UNLESS OTHERWISE SPECIFIED, ALL DIMENSIONS ARE IN INCHES [MM].

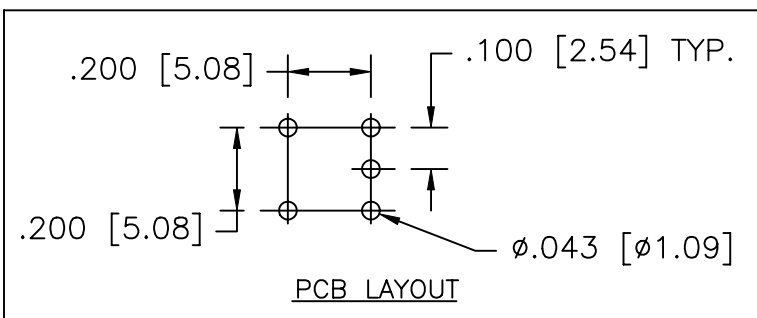
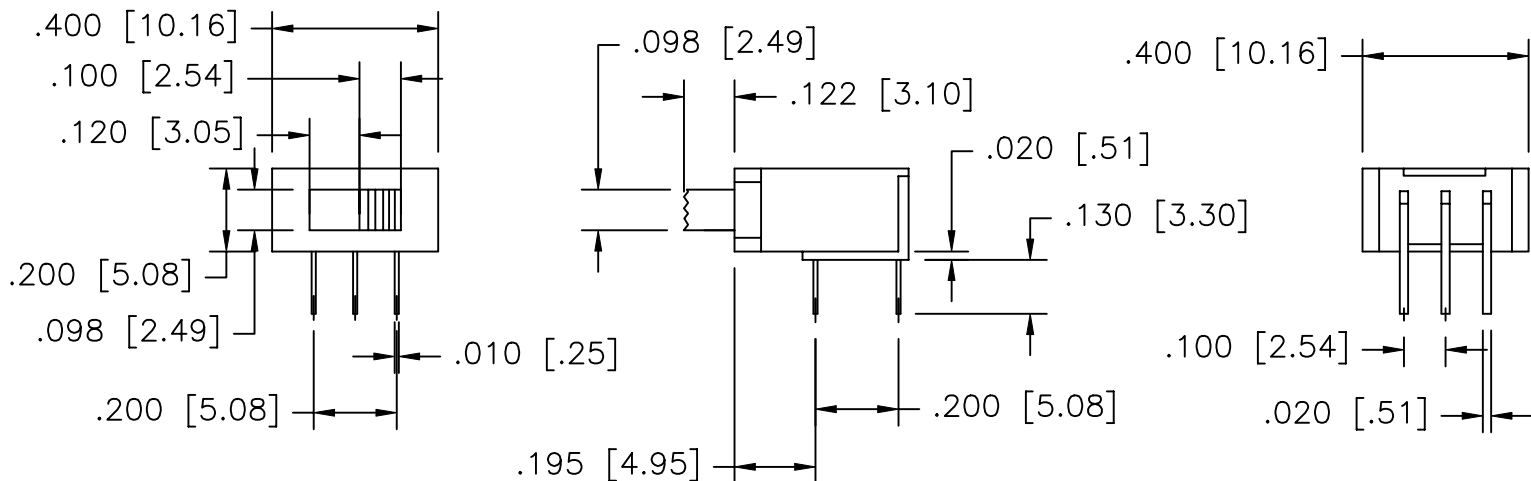
TO 1 DECIMAL PLACE ±.2
 TO 2 DECIMAL PLACES ±.10
 AS ANGLES ±

ISSUE

DATE

A

2/18/00



MODEL NO.	SWITCHING FUNCTION		
252A	ON	NONE	ON
252B	ON	OFF	ON
CONN. TERMS	2-1	OPEN	2-3
SCHEMATIC	SPDT		

NON-SHORTING TYPE



TITLE: SLIDE SWITCH

PART NO: SRSS-252X-XX

DATE: 1/24/00

DRAWN: TSF

CHKD:

SCALE: 2/1

SHEET: 1 OF 2

UNLESS OTHERWISE SPECIFIED, ALL DIMENSIONS ARE IN INCHES [MM].

TO 1 DECIMAL PLACE ±.2
TO 2 DECIMAL PLACES ±.10
AS ANGLES ±

ISSUE

DATE

A

2/18/00

SPECIFICATIONS

ELECTRICAL

CONTACT RATING:

SILVER: 3A @ 120 VAC OR 28 VDC, 1A @ 250 VAC
GOLD: 0.4 VA MAX. @ 20 V MAX. (AC OR DC)

CONTACT RESISTANCE: 10 MILLIOHMS MAX.

INSULATION RESISTANCE: 1,000 MEGOHMS MIN. AT 500 VDC

DIELECTRIC STRENGTH: 1,000 VRMS

MECHANICAL

LIFE: 30,000 CYCLES

ENVIRONMENTAL

OPERATING TEMPERATURE: -30°C TO +85°C

MATERIAL

CASE: DAP, UL94V-0

HOUSING: STAINLESS STEEL

ACTUATOR: NYLON

CONTACTS/TERMINALS: COPPER ALLOY, SILVER OR GOLD PLATED

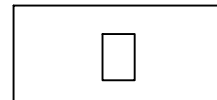
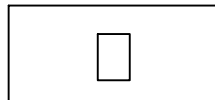
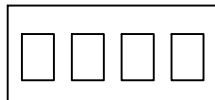
SERIES

MODEL NO.

CONTACT PLATING

SEAL

SRSS



252A

252B

Q (SILVER)

R (GOLD)

BLANK

E (EPOXY)



SENIOR INDUSTRIES, INC.

TITLE:

SLIDE SWITCH

PART NO:

SRSS-252X-XX

DATE:

1/24/00

DRAWN:

TSF

CHKD:

SCALE:

N/A

SHEET:

2 OF 2