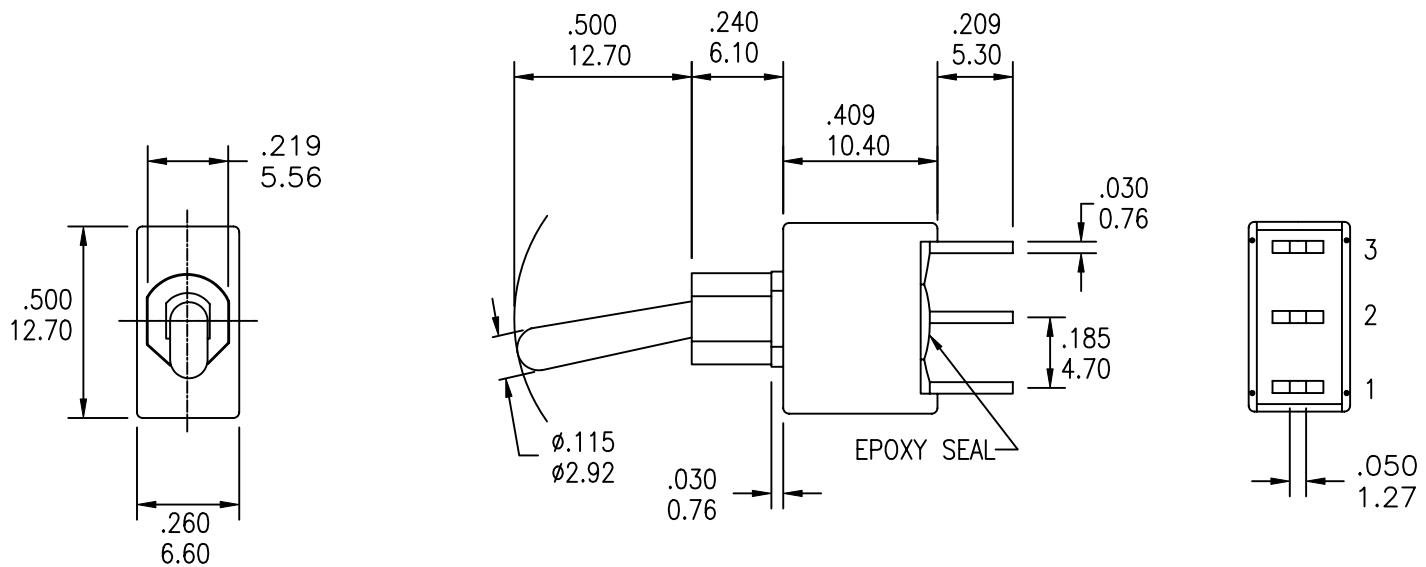


1

2

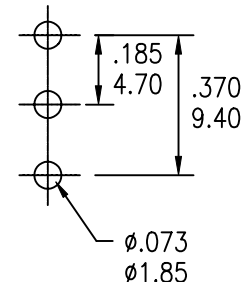
3

4

COMPONENT  
SPECIFICATIONUSE OR REPRODUCTION OF THIS DRAWING FOR THE PURPOSE OF MANUFACTURING THIS  
ARTICLE OR ANY ARTICLES SHOWN FOR ANY PURPOSE IS STRICTLY PROHIBITED WITHOUT  
WRITTEN PERMISSION FROM SENIOR INDUSTRIES, INC.

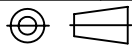
PART SHOWN: SRST-901X-SMCRE

MODEL NO.	SWITCHING POSITION		
901	ON	NONE	ON
901A	ON	NONE	MOM
902	ON	OFF	ON
902A	MOM	OFF	MOM
902B	ON	OFF	MOM
CONN. TERMS	2-3	OPEN	2-1
SCHEMATIC	SPDT		

FOR PC MOUNT  
TERMINATION ONLY

DESIGNED:			SYM.	DATE	DESCRIPTION OF REVISIONS	DRAWN	APPD.
				08.17.05	NEW	GAT	JF
DRAWN:	GAT	08/16/05		04.28.08	Added D, D1-D4 term options, U & V actuators & S40 snap-in option	GAT	JF
CHECKED:	GAT	04/28/08		.			
APPROVED:	JF	04/28/08		.			

3RD ANGLE



UNIT:

IN/mm

SCALE:

1:1

REV.

B

TOLERANCE:

TO 2 DECIMAL PLACE:  $\pm .01$ TO 3 DECIMAL PLACES:  $\pm .005$ 

AS ANGLES:

SHEET:

PART NO:

SEE CHART

TITLE:

SRST 901/902  
SEALED TOGGLE SWITCH

1 OF 6

1

2

3

4

COMPONENT SPECIFICATION

USE OR REPRODUCTION OF THIS DRAWING FOR THE PURPOSE OF MANUFACTURING THIS ARTICLE OR ANY ARTICLES SHOWN FOR ANY PURPOSE IS STRICTLY PROHIBITED WITHOUT WRITTEN PERMISSION FROM SENIOR INDUSTRIES, INC.

SPECIFICATIONS

ELECTRICAL

CONTACT RATING:  
SILVER: 5A @ 120 VAC OR 28 VDC, 2A @ 250 VAC  
GOLD: 0.4 VA MAX. @ 20 V MAX. (AC OR DC)  
CONTACT RESISTANCE: 10 MILLIOHMS MAX. @ 2-4 VDC  
INSULATION RESISTANCE: 1,000 MEGOHMS MIN. AT 500 VDC  
DIELECTRIC STRENGTH: 1,000 VRMS

MECHANICAL

LIFE: 30,000 CYCLES

ENVIRONMENTAL

OPERATING TEMPERATURE: -30°C TO +85°C

MATERIAL

CASE: GLASS FILLED NYLON 6/6, UL94V-0  
BUSHING: GLASS FILLED NYLON 6/6, UL94V-0  
ACTUATOR: BRASS, CHROME PLATED WITH STD INTERNAL O-RING SEAL  
SWITCH SUPPORT: BRASS OR STEEL, TIN PLATED  
SWITCH SUPPORT RETAINER: STAINLESS STEEL  
CONTACT/TERMINALS: COPPER ALLOY, SILVER OR GOLD PLATED

REGULATORY

UL AND CANADA RECOGNIZED COMPONENT. UL/CUL FILE NO. E173084.

PART NUMBER BUILDER:

SERIES	MODEL NO.	ACTUATOR	BUSHING	TERMINATION	CONTACT PLATING	SEAL	VERTICAL SUPPORT BRACKET
SRST -							
	901		E (STD - THD)		Q (SILVER)	BLANK	BLANK
	901A	S (STD)	M (STD - NON-THD)		R (GOLD)	E (EPOXY)	S20 -.460" HIGH
	902	T					S30 -.630" HIGH
	902A	U (PLASTIC, ANTI-STATIC BLACK, .500 HIGH)		B (SOLDER LUG)			S40 -.460" HIGH
	902B	V (PLASTIC, ANTI-STATIC BLACK, .300 HIGH)		C (PC MOUNT)			SNAP-IN
				D (QUICK CONNECT)			
				D1 (WIRE WRAP - .736)			
				D2 (WIRE WRAP - .953)			
				D3 (WIRE WRAP - .415)			
				D4 (WIRE WRAP - 1.062)			

DESIGNED:	DRAWN:	CHECKED:	APPROVED:	SYMBOL	DATE	DESCRIPTION OF REVISIONS	DRAWN	APPD.
	GAT	GAT	JF		08.17.05	NEW	GAT	JF
	GAT	GAT	JF		04.28.08	Added D, D1-D4 term options, U & V actuators & S40 snap-in option	GAT	JF
					.			
					.			
					.			

3RD ANGLE		UNIT:	IN/mm	SCALE:		REV.	B
-----------	--	-------	-------	--------	--	------	---

	TOLERANCE:	PART NO:
	TO 2 DECIMAL PLACE: ±.01	SEE CHART
	TO 3 DECIMAL PLACES: ±.005	TITLE: SRST 901/902 SEALED TOGGLE SWITCH
	AS ANGLES:	
SHEET:		2 OF 6

1

2

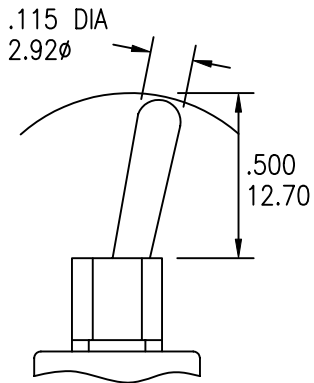
3

4

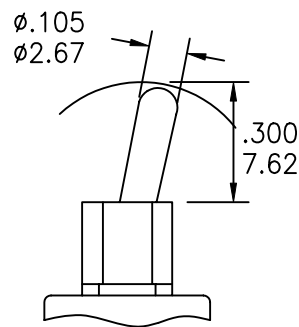
COMPONENT SPECIFICATION

USE OR REPRODUCTION OF THIS DRAWING FOR THE PURPOSE OF MANUFACTURING THIS ARTICLE OR ANY ARTICLES SHOWN FOR ANY PURPOSE IS STRICTLY PROHIBITED WITHOUT WRITTEN PERMISSION FROM SENIOR INDUSTRIES, INC.

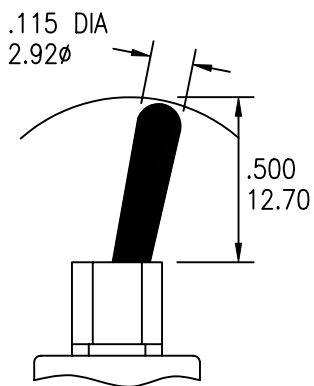
ACTUATOR OPTIONS



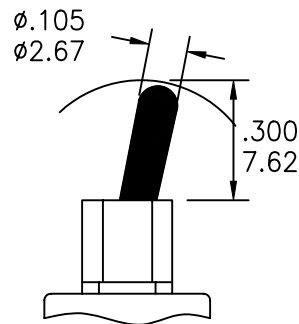
S (STD-FOR B & C TERMINATION)



T (STD FOR S20, S30, S40 TERMINATION)

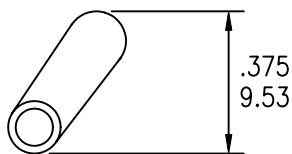


U (PLASTIC)



V (PLASTIC)

NOTE: OPTIONAL TOGGLE CAP AVAILABLE.



DESIGNED:			SYM.	DATE	DESCRIPTION OF REVISIONS	DRAWN	APPD.
			▲	08.17.05	NEW	GAT	JF
DRAWN:	GAT	08/16/05	▲	04.28.08	Added D, D1-D4 term options, U & V actuators & S40 snap-in option	GAT	JF
CHECKED:	GAT	04/28/08	▲	.			
APPROVED:	JF	04/28/08	▲	.			

3RD ANGLE		UNIT:	IN/mm	SCALE:	1:1	REV.	B
-----------	--	-------	-------	--------	-----	------	---

	TOLERANCE:	PART NO:	SEE CHART
	TO 2 DECIMAL PLACE:	±.01	TITLE:
	TO 3 DECIMAL PLACES:	±.005	SRST 901/902
	AS ANGLES:		SEALED TOGGLE SWITCH
SHEET:			3 OF 6

1

2

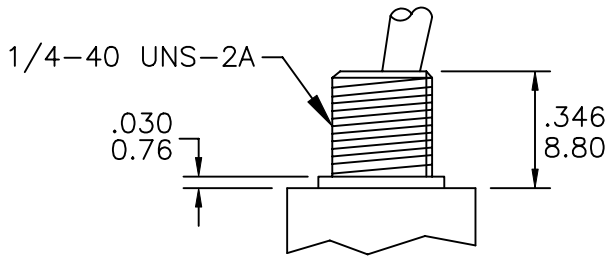
3

4

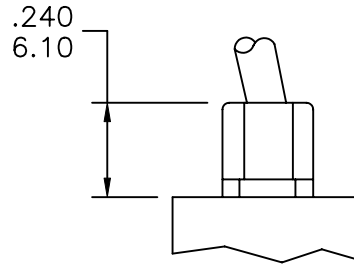
COMPONENT SPECIFICATION

USE OR REPRODUCTION OF THIS DRAWING FOR THE PURPOSE OF MANUFACTURING THIS ARTICLE OR ANY ARTICLES SHOWN FOR ANY PURPOSE IS STRICTLY PROHIBITED WITHOUT WRITTEN PERMISSION FROM SENIOR INDUSTRIES, INC.

BUSHING OPTIONS



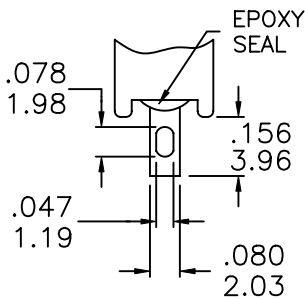
E (STD THD FOR B TERMINATION)



M (STD NON-THD FOR: C, S20, S30, S40 TERMINATION)

TERMINATION OPTIONS

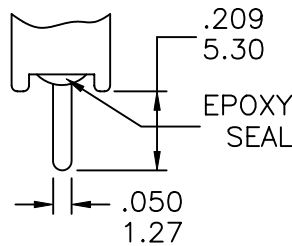
SOLDER LUG



.030 [0.76] THK

B

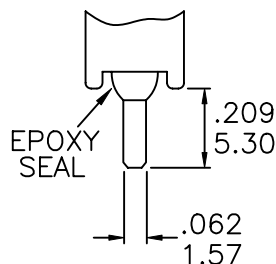
PC MOUNT



.030 [0.76] THK

C

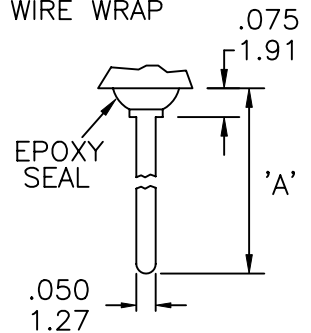
QUICK CONNECT



.030 [0.76] THK

D

WIRE WRAP

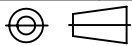


.030 [0.76] THK

	'A'
D1	.736(18.70)
D2	.953(24.20)
D3	.415(10.54)
D4	1.062(26.97)

DESIGNED:			SYM.	DATE	DESCRIPTION OF REVISIONS	DRAWN	APPD.
			▲	08.17.05	NEW	GAT	JF
DRAWN:	GAT	08/16/05	▲	04.28.08	Added D, D1-D4 term options, U & V actuators & S40 snap-in option	GAT	JF
CHECKED:	GAT	04/28/08	▲	.			
APPROVED:	JF	04/28/08	▲	.			

3RD ANGLE



UNIT:

IN/mm

SCALE:

1:1

REV.

B



TOLERANCE:

TO 2 DECIMAL PLACE:	±.01
TO 3 DECIMAL PLACES:	±.005
AS ANGLES:	

PART NO:

SEE CHART

TITLE:

SRST 901/902  
SEALED TOGGLE SWITCH

SHEET:

4 OF 6

1

2

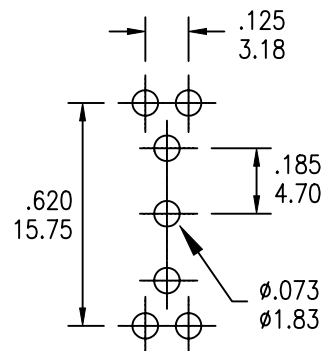
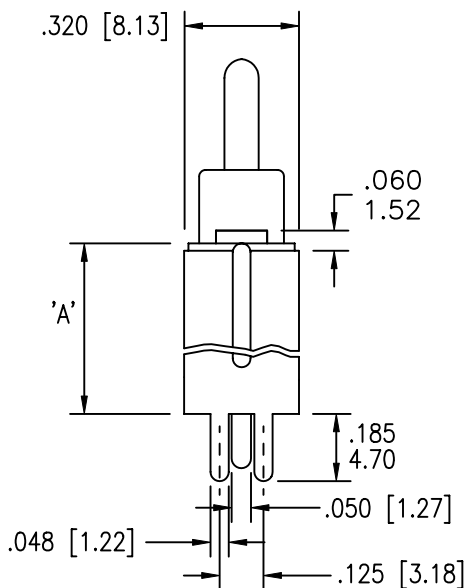
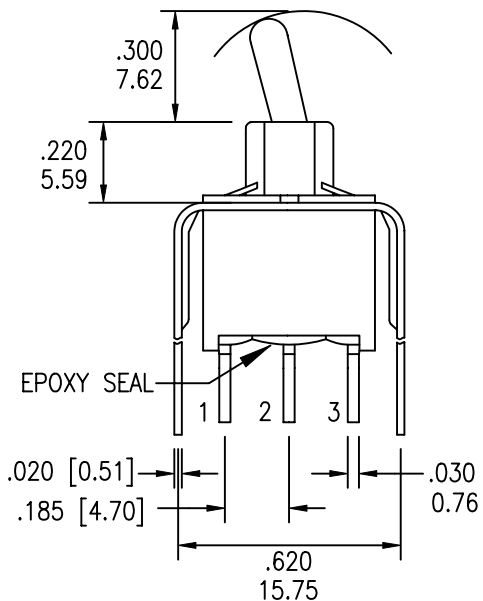
3

4

COMPONENT  
SPECIFICATIONUSE OR REPRODUCTION OF THIS DRAWING FOR THE PURPOSE OF MANUFACTURING THIS  
ARTICLE OR ANY ARTICLES SHOWN FOR ANY PURPOSE IS STRICTLY PROHIBITED WITHOUT  
WRITTEN PERMISSION FROM SENIOR INDUSTRIES, INC.

## VERTICAL SUPPORT BRACKET

## P.C. MOUNTING

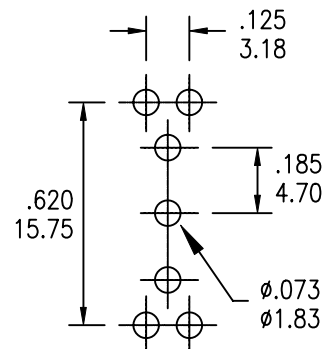
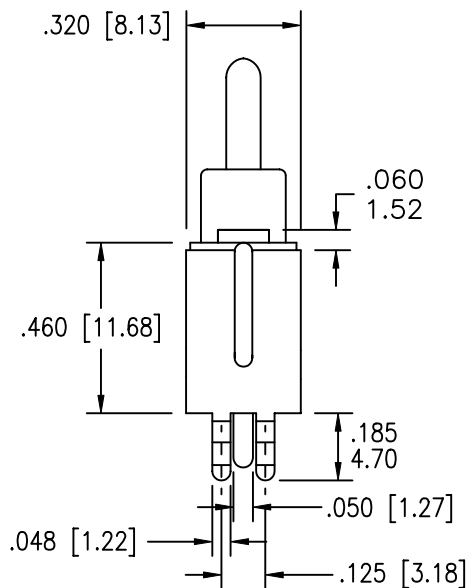
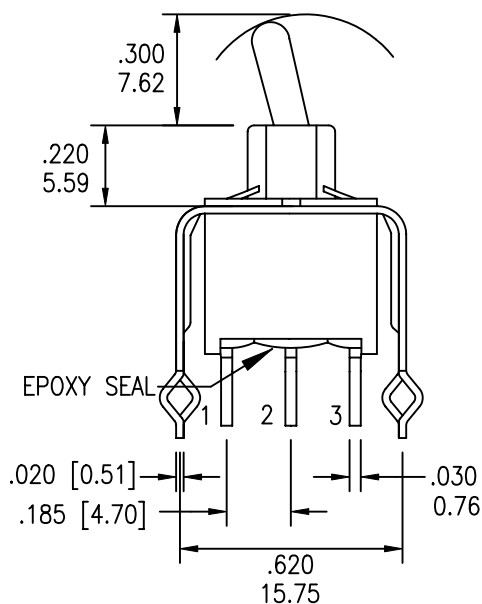


	'A'
S20	.460 [11.68]
S30	.630 [16.00]

PART SHOWN: SRST-901X-TMCRES20

## VERTICAL SUPPORT BRACKET

## SNAP-IN P.C. MOUNTING



S40

PART SHOWN: SRST-901X-TMCRES40

DESIGNED:

SYM.

DATE

DESCRIPTION OF REVISIONS

DRAWN

APPD.

DRAWN:

GAT

08/16/05

▲

08.17.05

NEW

GAT

JF

CHECKED:

GAT

04/28/08

▲

04.28.08

Added D, D1-D4 term options, U &amp; V actuators &amp; S40 snap-in option

GAT

JF

APPROVED:

JF

04/28/08

▲

. . .

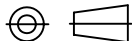
▲

. . .

▲

. . .

3RD ANGLE



UNIT:

IN/mm

SCALE:

1:1

REV.

B


**SENIOR  
INDUSTRIES, INC.**

TOLERANCE:

TO 2 DECIMAL PLACE: ±.01

TO 3 DECIMAL PLACES: ±.005

AS ANGLES:

PART NO:

SEE CHART

TITLE:

 SRST 901/902  
SEALED TOGGLE SWITCH

SHEET:

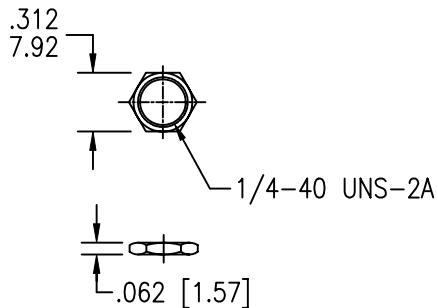
5 OF 6

COMPONENT SPECIFICATION

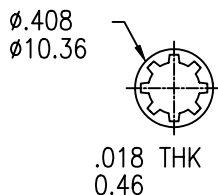
USE OR REPRODUCTION OF THIS DRAWING FOR THE PURPOSE OF MANUFACTURING THIS ARTICLE OR ANY ARTICLES SHOWN FOR ANY PURPOSE IS STRICTLY PROHIBITED WITHOUT WRITTEN PERMISSION FROM SENIOR INDUSTRIES, INC.

STANDARD HARDWARE

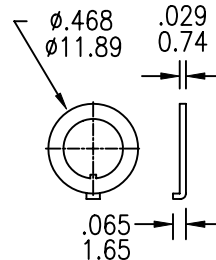
NUT



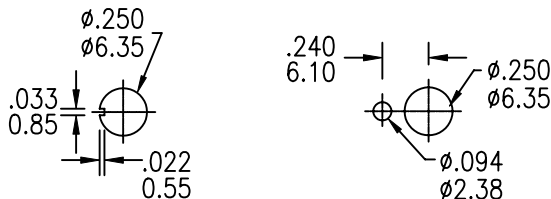
LOCK WASHER



LOCKING RING



PANEL MOUNTING



DESIGNED:			SYM.	DATE	DESCRIPTION OF REVISIONS	DRAWN	APPD.
				08.17.05	NEW	GAT	JF
DRAWN:	GAT	08/16/05		04.28.08	Added D, D1-D4 term options, U & V actuators & S40 snap-in option	GAT	JF
CHECKED:	GAT	04/28/08		. .			
APPROVED:	JF	04/28/08		. .			

3RD ANGLE		UNIT:	IN/mm	SCALE:	1:1	REV.	B
-----------	--	-------	-------	--------	-----	------	---



TOLERANCE:		PART NO: SEE CHART	
TO 2 DECIMAL PLACE:	±.01	TITLE: SRST 901/902 SEALED TOGGLE SWITCH	
TO 3 DECIMAL PLACES:	±.005		
AS ANGLES:			
SHEET:		6 OF 6	